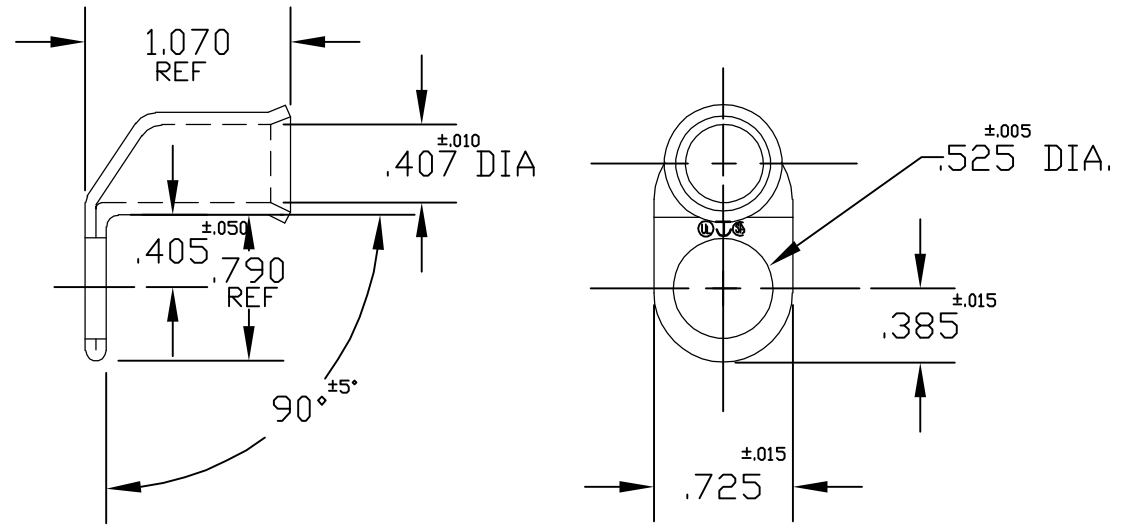


THIS DRAWING IS UNPUBLISHED. RELEASED FOR PUBLICATION  
 © COPYRIGHT - BY TYCO ELECTRONICS CORPORATION. ALL RIGHTS RESERVED.

LOC	DIST	REVISIONS					
		P	LTR	DESCRIPTION	DATE	DWN	APVD
G	50		01	REVISED PER ECR-06-010858	09MAY06	HMR	JR



ACTIVE	10501-09-90	STANDARD	TIN PLATE	1526716-2
ACTIVE	10501-08-90	STANDARD	PLAIN	1526716-1
STATUS	AET P/N	PACKAGING	FINISH	PART NUMBER

THIS DRAWING IS A CONTROLLED DOCUMENT.		DWN D.A.A 9/21/00	Tyco Electronics Corporation Harrisburg, PA 17105-3608		
DIMENSIONS: INCHES		CHK H.D.F 9/21/00			
TOLERANCES UNLESS OTHERWISE SPECIFIED:		APVD H.D.F 9/21/00	NAME 1/0 STANDARD TERMINAL WITH 90° BEND		
0 PLC ± - 1 PLC ± - 2 PLC ± - 3 PLC ± - 4 PLC ± - ANGLES ± -		PRODUCT SPEC -	SIZE A3		
MATERIAL COPPER ASTM B-152		FINISH -	APPLICATION SPEC -	CAGE CODE 00779	DRAWING NO C-1526716
CUSTOMER DRAWING			RESTRICTED TO -	SCALE 1:1	SHEET 1 OF 1
			REV 01		