

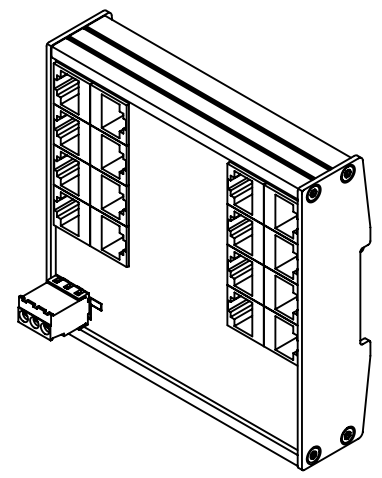
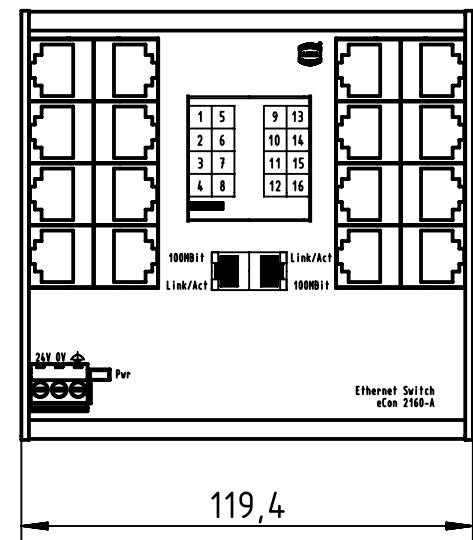
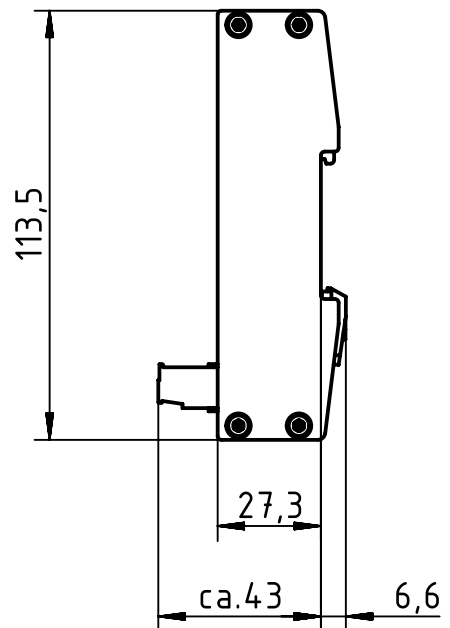
1 2 3 4 5 6

A

B

C

D



for mounting rail acc. to DIN EN 60715

| | | | | | | | | | |
|--|--|---|-----------------------------|----------------------------|-----------------------------|--------------------|--|-------------|--|
| | All rights reserved Department EL PD - DE | All Dimensions in mm Original Size DIN A4 | | Scale 1:2 | Free size tol. | | Ref. Sub. TB 20 76 116 3000 v. 21.04.09 | | |
| | | HARTING Electric GmbH & Co. KG D-32339 Espelkamp | Created by WULF | Inspected by LOETKEMANN | Standardisation TIEMANNA | Date 2014-02-10 | State Final Release | | Doc-Key / ECM-Nr. 100175499/UGD/006/C 500000071427 |
| | | | Title Ha-VIS eCon 2160-A | | | | | | |
| | | | Type TB | Number 20 76 116 3000 | | | Rev. C | Page 1/1 | |