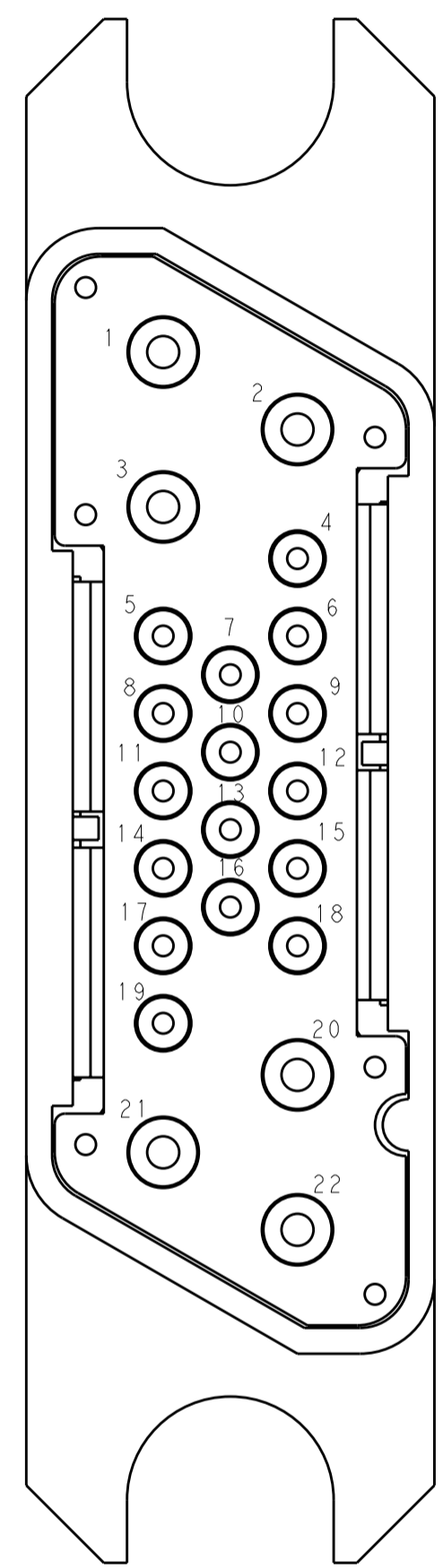
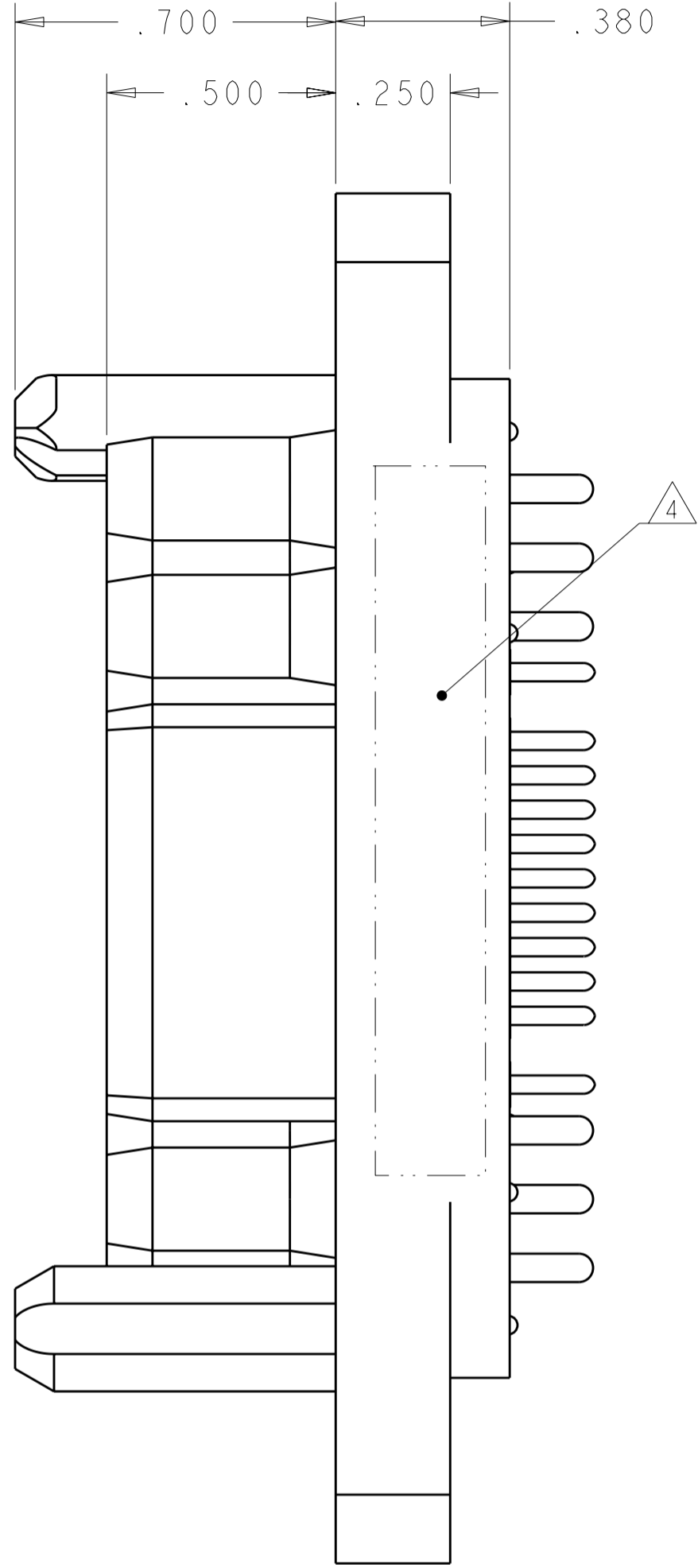
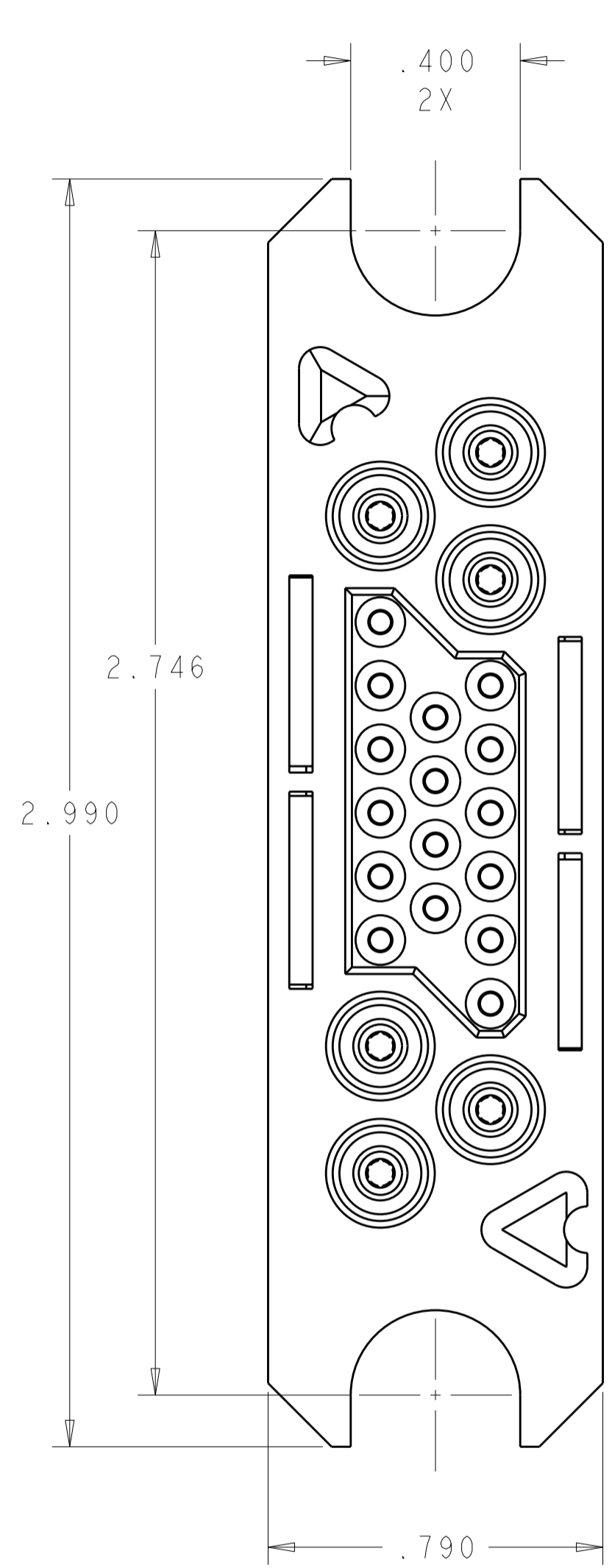


THIS DRAWING IS UNPUBLISHED. RELEASED FOR PUBLICATION 20  
 © COPYRIGHT 20 BY - ALL RIGHTS RESERVED.

REVISIONS					
P	LTR	DESCRIPTION	DATE	DWN	APVD
	A	RELEASED	01APR2011	RG	DO



SOCKET CONTACT (C)  
 SIZE #12  
 POSN. #1 THRU 3

SOCKET CONTACT (B)  
 SIZE #20  
 POSN. #4 THRU 19

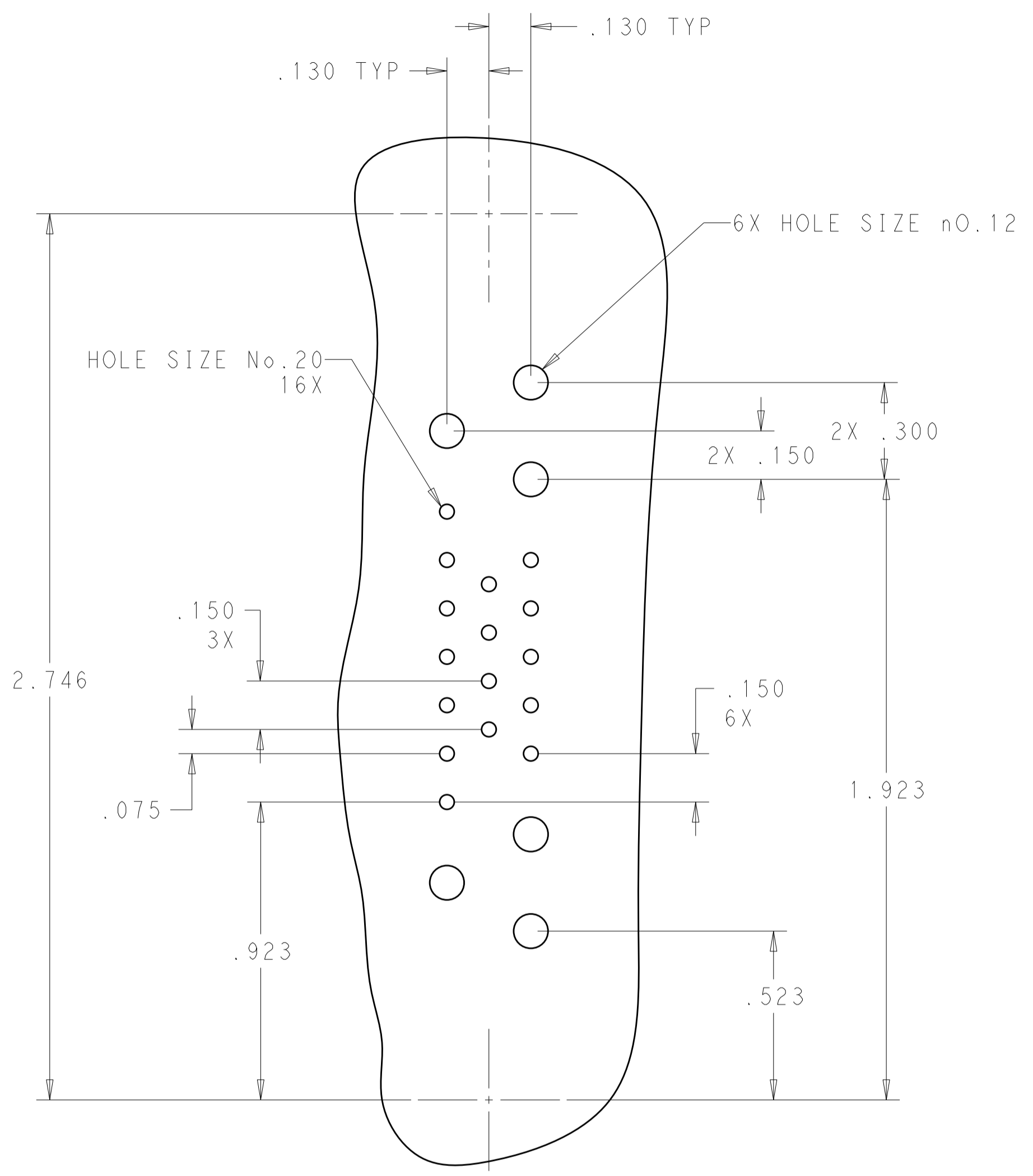
SOCKET CONTACT (C)  
 SIZE #12  
 POSN. #20 THRU 22

3	6	6648374-1	CONTACT, SOCKET, SIZE #12, PCB TAIL	C
3	16	1648382-1	CONTACT, SOCKET, SIZE #20, PCB TAIL	B
	1	1648115-2	HOUSING, SOCKET, PCB MOUNT, NO LABEL	A
	-1	PART NUMBER	DESCRIPTION	ITEM

THIS DRAWING IS A CONTROLLED DOCUMENT.		DWN R. GRZYBOWSKI 25MAR2011	<b>STE</b> TE Connectivity	
DIMENSIONS: INCHES		CHK D. ORRIS 25MAR2011		
TOLERANCES UNLESS OTHERWISE SPECIFIED:		APVD D. ORRIS 25MAR2011	NAME SOCKET CONNECTOR ASSEMBLY WITH PCB TAILS MINIDRAWER	
0 PLC ± 1 PLC ±.01 2 PLC ±.005 3 PLC ± 4 PLC ± ANGLES ± FINISH		PRODUCT SPEC 108-2285	SIZE A200779	
MATERIAL		APPLICATION SPEC 114-13206	DRAWING NO C-2085717	
CUSTOMER DRAWING		WEIGHT -	RESTRICTED TO -	
		SCALE 3:1	SHEET 1 OF 2 REV A	

THIS DRAWING IS UNPUBLISHED. RELEASED FOR PUBLICATION 20  
 © COPYRIGHT 20 BY - ALL RIGHTS RESERVED.

LOC	DIST	REVISIONS					
GP	00	P	LTR	DESCRIPTION	DATE	DWN	APVD
		-		SEE SHEET 1			



- 1 MATERIAL:  
 INSULATOR: THERMOPLASTIC, GLASS REINFORCED, UL 94V-0  
 FLAMMABILITY RATED, COLOR: BLACK  
 CONTACT: COPPER ALLOY  
 CROWN BAND: COPPER ALLOY  
 RETENTION CLIP: BERYLLIUM COPPER OR STAINLESS STEEL
- 2 FINISH:  
 CONTACTS SIZE #12 : SILVER .000200 MIN. THK. OVER  
 NICKEL .000040 MIN THK.  
 CONTACTS SIZE #20 : GOLD .000010 MIN. THK. OVER  
 NICKEL .000040 MIN THK.  
 CROWN BAND: GOLD (IN CONTACT AREA).000030 MIN. THK.  
 OVER NICKEL .000050 MIN THK.
- 3 PCB TAIL CONTACTS (ITEM B AND C) ARE INSERTABLE/ NON-REMOVABLE  
 SIZE No. 12 : LOADED IN POSN. 1 THRU 3 AND 20 THRU 22  
 SIZE No. 20" LOADED IN POSN. 4 THRU 19
- 4 ITEMS PROVIDED TO THIS SPECIFICATION TO BE PERMANENTLY IDENTIFIED PER THE FOLLOWING IDENTIFIER:

TE CONNECTIVITY P/N DATE CODE (e.g. 0216)  
 XXXXXXXX-X XXXX

PRINTED CIRCUIT BOARD LAYOUT

HOLE SIZE #12  
 FINISHED HOLE:  $\phi .104 \pm .003$   
 DRILLED HOLE:  $\phi .106 \pm .0005$   
 COPPER PLATE: .0010 - .0020  
 TIN PLATE: .0002 MIN THK.

HOLE SIZE #20  
 FINISHED HOLE:  $\phi .047 \pm .003$   
 DRILLED HOLE:  $\phi .0453 \pm .0005$   
 COPPER PLATE: .0010 - .0020  
 TIN PLATE: .0002 MIN THK.

THIS PRINT IS  
**PRELIMINARY**  
 UNQUALIFIED PRODUCT  
 CONTACT PRODUCT ENGINEERING  
 BEFORE USING THIS PRINT

THIS DRAWING IS A CONTROLLED DOCUMENT.		DWN R. GRZYBOWSKI 25MAR2011	TE Connectivity	
DIMENSIONS: INCHES		CHK D. ORRIS 25MAR2011		
TOLERANCES UNLESS OTHERWISE SPECIFIED:		APVD D. ORRIS 25MAR2011	NAME SOCKET CONNECTOR ASSEMBLY WITH PCB TAILS MINIDRAWER	
0 PLC ± 1 PLC ± 2 PLC ±.01 3 PLC ±.005 4 PLC ± ANGLES ± FINISH		PRODUCT SPEC 108-2285	SIZE A200779	
MATERIAL		APPLICATION SPEC 114-13206	DRAWING NO C-2085717	
		WEIGHT -	RESTRICTED TO -	
		CUSTOMER DRAWING	SCALE 3:1 SHEET 2 OF 2 REV A	