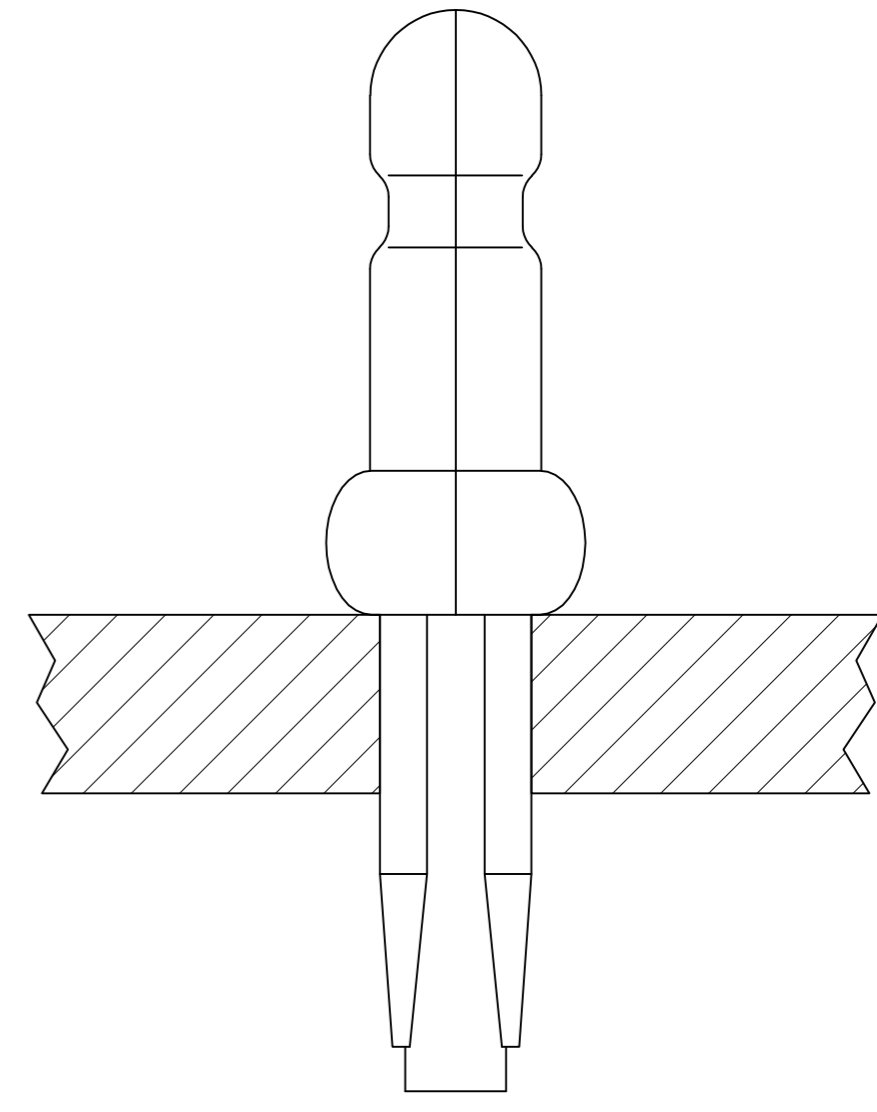
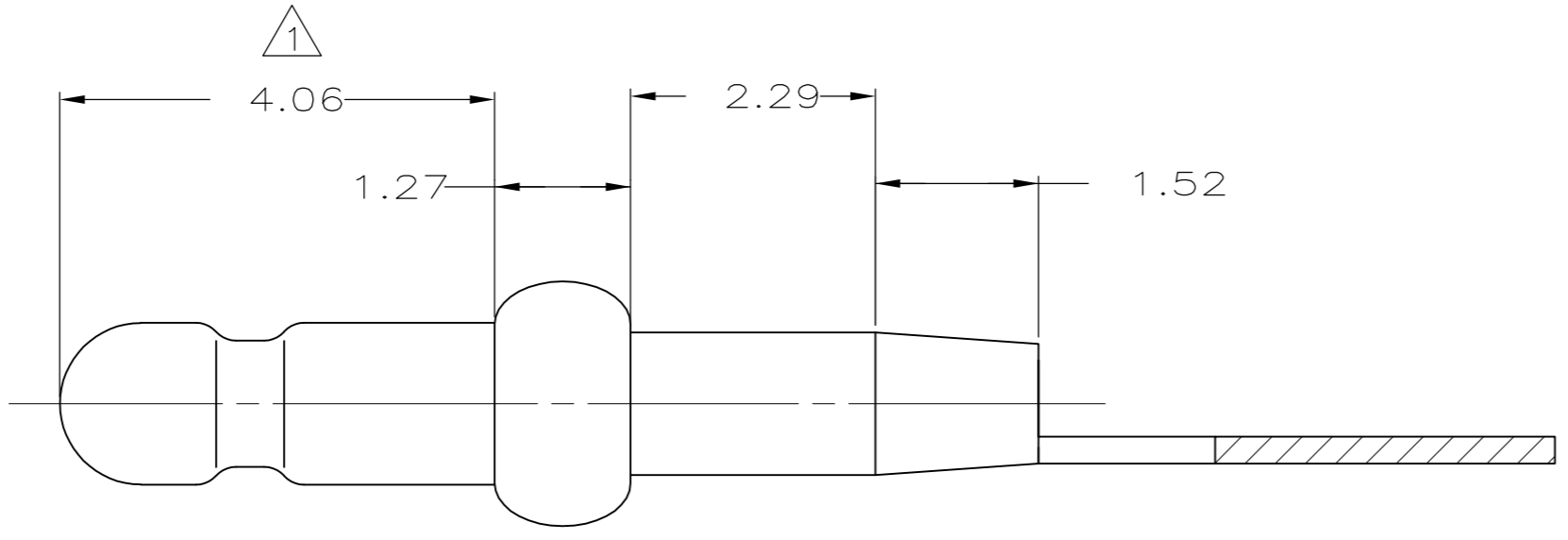
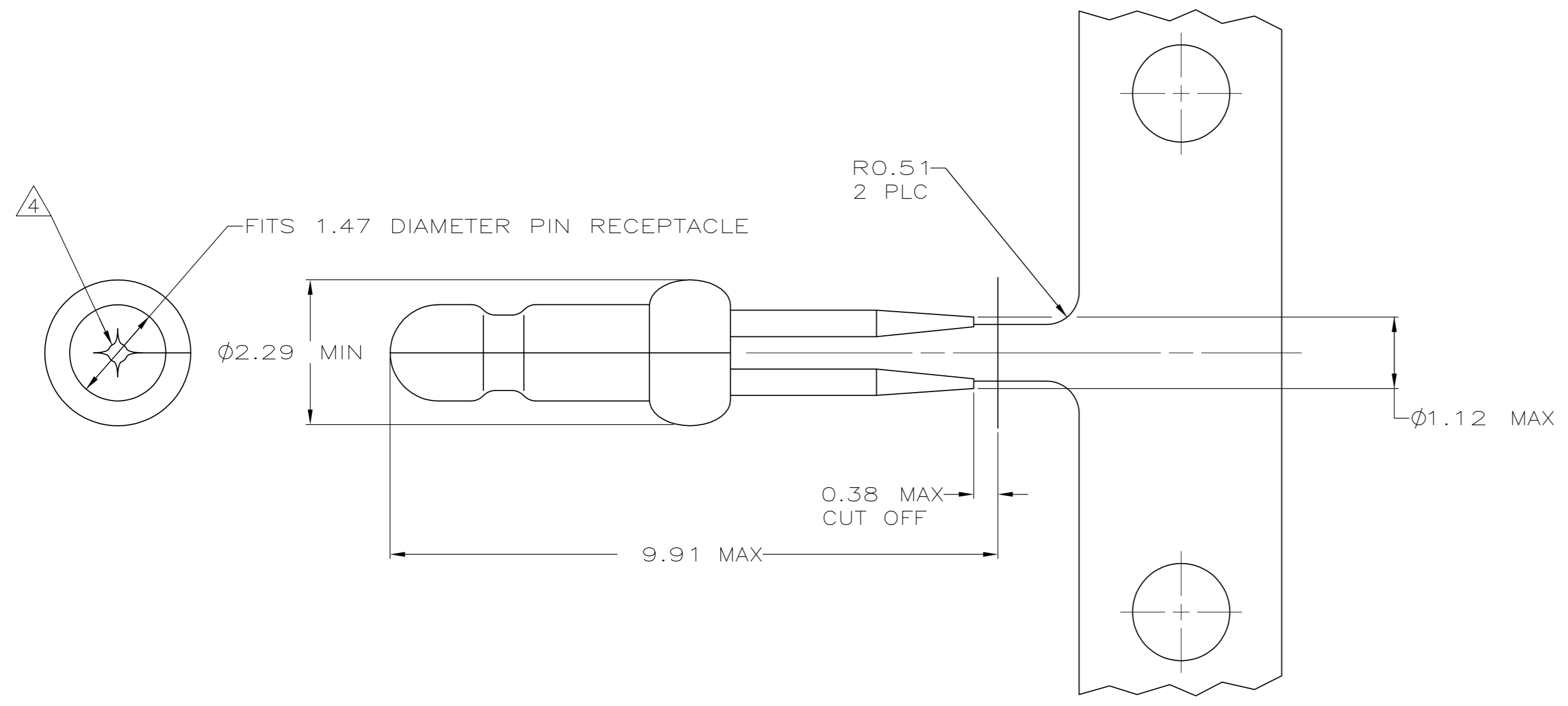


THIS DRAWING IS UNPUBLISHED. RELEASED FOR PUBLICATION
 © COPYRIGHT - By - ALL RIGHTS RESERVED.

LOC		DIST		REVISIONS			
P	LTR	DESCRIPTION		DATE	DWN	APVD	
CM	0	AP2		REVISED PER ECO-11-004917	11MAR11	RK HMR	

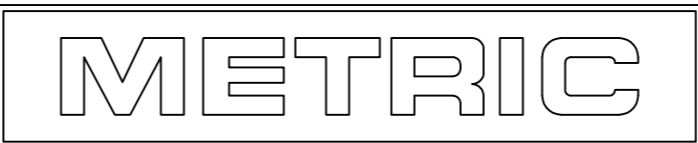
- 1. 0.00076 MIN GOLD PLATING IN THIS AREA WITH 0.00381 MIN MATTE TIN LEAD ON THE REMAINDER, BOTH OVER 0.00127 MIN NICKEL UNDERPLATE.
- 2. FITS 1.17 - 1.27 DIAMETER HOLE IN A 1.57 OR 2.36 PRINTED CIRCUIT BOARD.
- 3. PARTS TO COMPLY WITH AMP SOLDERABILITY SPECIFICATION 109-11-3.
- 4. 0.05 - 0.25 DIAMETER OPENING REQUIRED IN TIP OF PIN.
- 5. APPLICATOR FEED: 8.00 - 8.26
- 6. 0.00076 MIN GOLD PLATING IN THIS AREA WITH 0.00381 MIN MATTE TIN ON THE REMAINDER, BOTH OVER 0.00127 MIN NICKEL UNDERPLATE.



6	3-60802-1
PRE TIN	60802-2
1	60802-1
FINISH	PART NUMBER

0.13	.005	1.17	.046	2.29	.090	9.91	.390
0.05	.002	1.12	.044	1.57	.062	8.26	.325
0.00381	.000150	0.51	.020	1.52	.060	8.00	.315
0.00127	.000050	0.38	.015	1.47	.058	4.06	.160
0.00076	.000030	0.25	.010	1.27	.050	2.36	.093
MM	IN	MM	IN	MM	IN	MM	IN

CONVERSION TABLE



THIS DRAWING IS A CONTROLLED DOCUMENT.

DIMENSIONS:	TOLERANCES UNLESS OTHERWISE SPECIFIED:	DWN	7-28-97
mm		T. BECK	
		CHK	7-28-97
		R. SWING	
		APVD	9-10-97
		A. BEDDICK	
		PRODUCT SPEC	
		108-1025	
		APPLICATION SPEC	
		114-1008	
MATERIAL	FINISH	WEIGHT	
0.25 PH BRZ	SEE TABLE	-	

TE Connectivity

PIN, .058 DIAMETER, PHOSPHOR BRONZE, PRESS FIT, P.C. CONTACT

SIZE	CAGE CODE	DRAWING NO	RESTRICTED TO
A2	00779	C-60802	-
CUSTOMER DRAWING	SCALE	SHEET	REV
	15:1	1 of 1	AP2