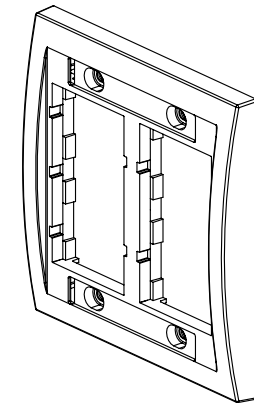
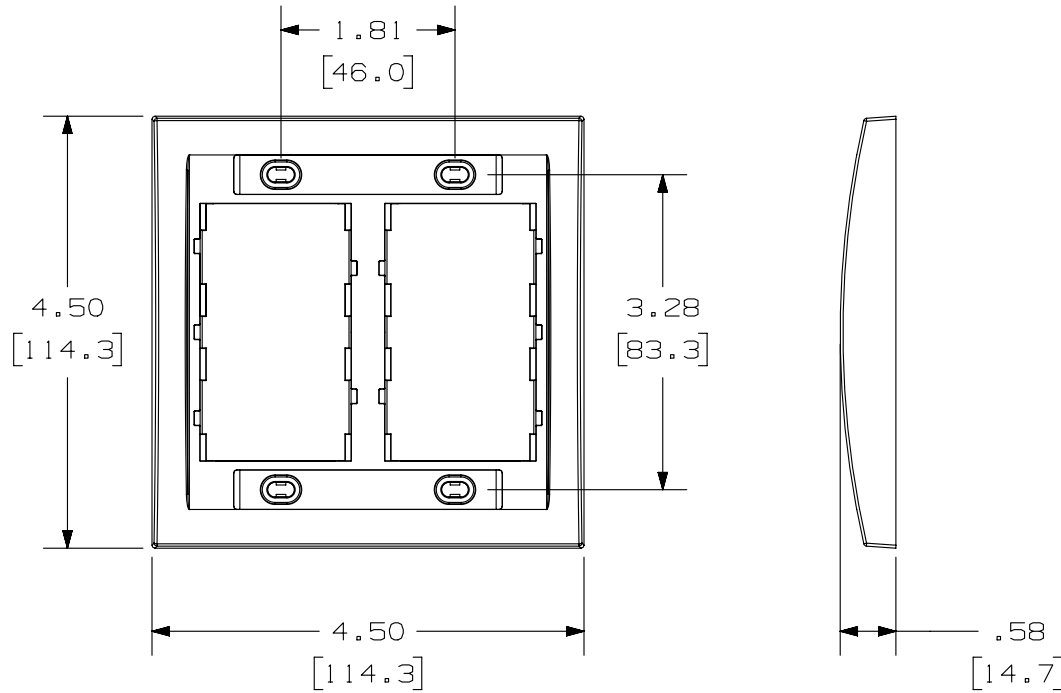


THIS COPY IS PROVIDED ON A RESTRICTED BASIS AND IS NOT TO BE USED IN ANY WAY DETRIMENTAL TO THE INTERESTS OF PANDUIT CORP.

| PANDUIT P/N | WEIGHT |
|-------------|----------------------------------|
| CBE**-2GY | .85 LB/10 PCS (385.6g/10 PCS) |

NOTES:

- SEE CURRENT CATALOG FOR ADDITIONAL PART NUMBER SUFFIXES TO INDICATE COLOR AND OR PACKAGE QUANTITY.
- SEE CATALOG FOR COMPLETE LIST OF PARTS APPLICABLE FOR USE WITH THIS PART.
- DIMENSIONS IN [] ARE METRIC.
- PART INCLUDES:
1- FACEPLATE FRAME
4- #6-32 X 1" MOUNTING SCREW
2- LABEL
2- LABEL COVER



| | | | |
|--|--|--------------------|--|
| PART NUMBER | | CBE**-2GY | |
| TITLE | | | |
| DOUBLE GANG EXECUTIVE FACEPLATE | | FRAME | |
| CUSTOMER DRAWING | | | |
| ITEM REVISION NAME | | M02479FB/05 | |
| DATASET FILE NAME | | M02479FB_DC134/00A | |
| UNLESS OTHERWISE SPECIFIED, DIMENSIONAL TOLERANCES ARE: IN [mm] | | MATERIAL: | |
| .x ± .1 [2.54] | | .xxx ± .005 [.127] | |
| .xx ± .01 [.25] | | ANGLES ± 5° | |
| DRAWN BY | | SCALE | |
| JSP | | NONE | |
| DATE | | DRAWING NUMBER: | |
| 4-19-06 | | 02479-134 | |
| CHK | | SHT 1 OF 1 | |
| MJD | | A | |
| THIRD ANGLE PROJECTION | | | |

| REV | DATE | BY | CHK | APR | DESCRIPTION | ECN |
|-----|---------|-----|------|-----|---------------------------------|-----------|
| 1 | 3/7/14 | JSP | REFR | MMR | A. REVISED DRAWING TITLE BLOCK. | 02479-134 |
| R | 4-19-06 | JSP | MJD | MJD | RELEASED TO PRODUCTION | 02479-134 |

D10100DA/14