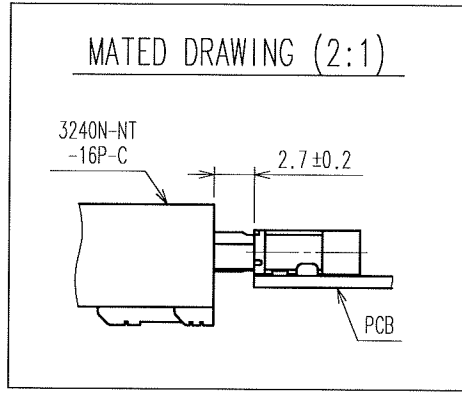
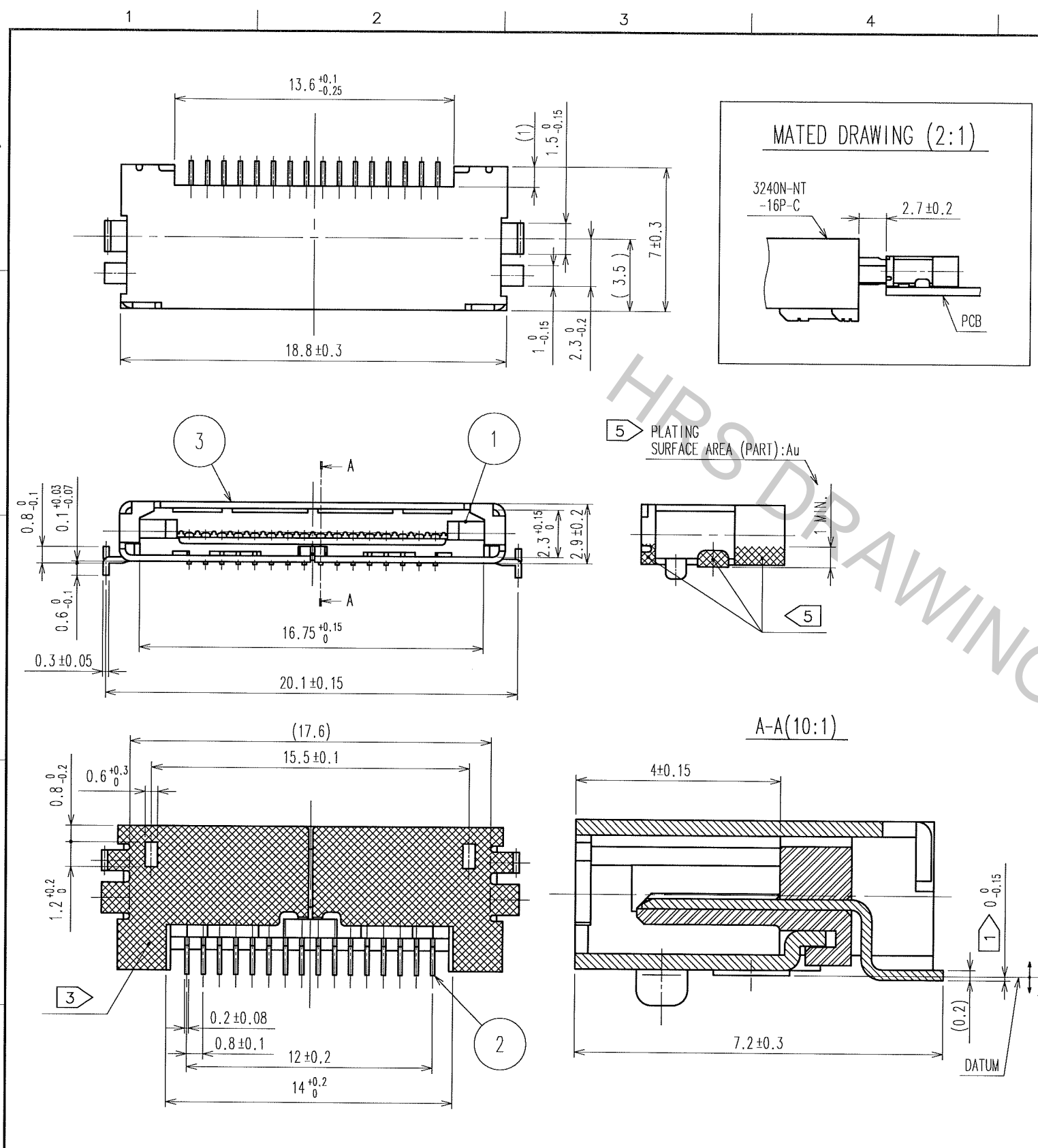
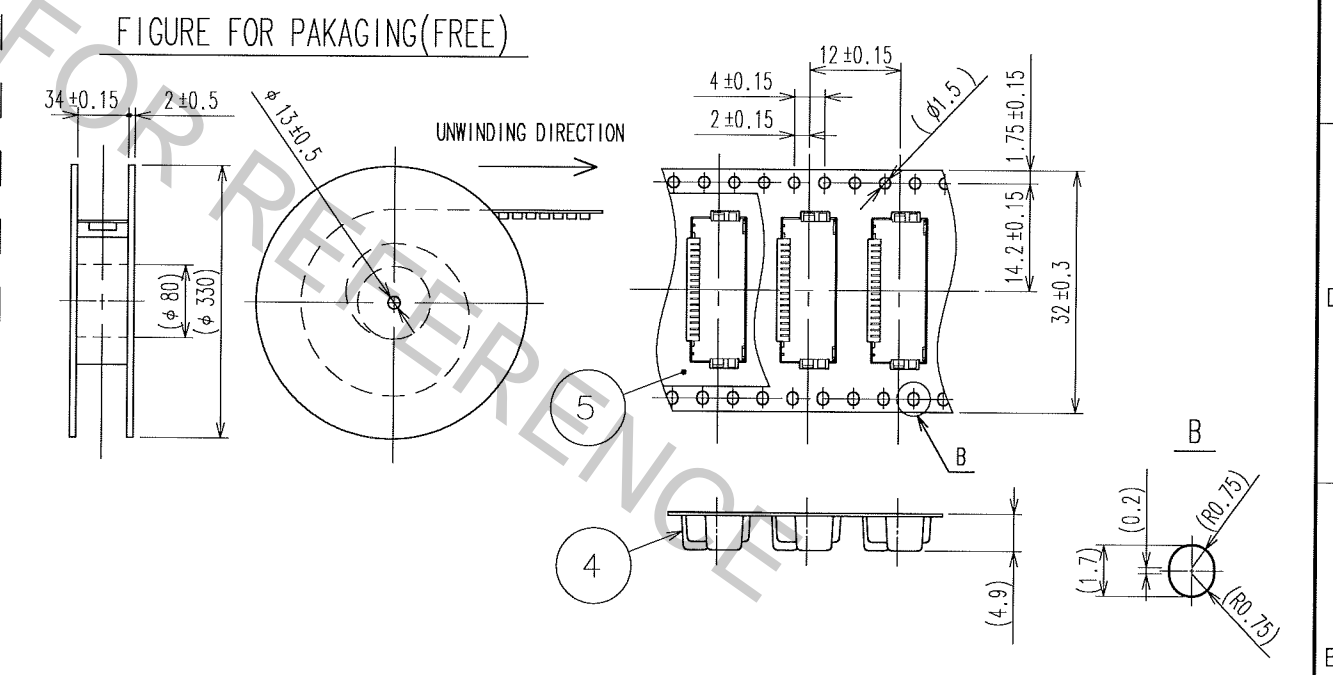
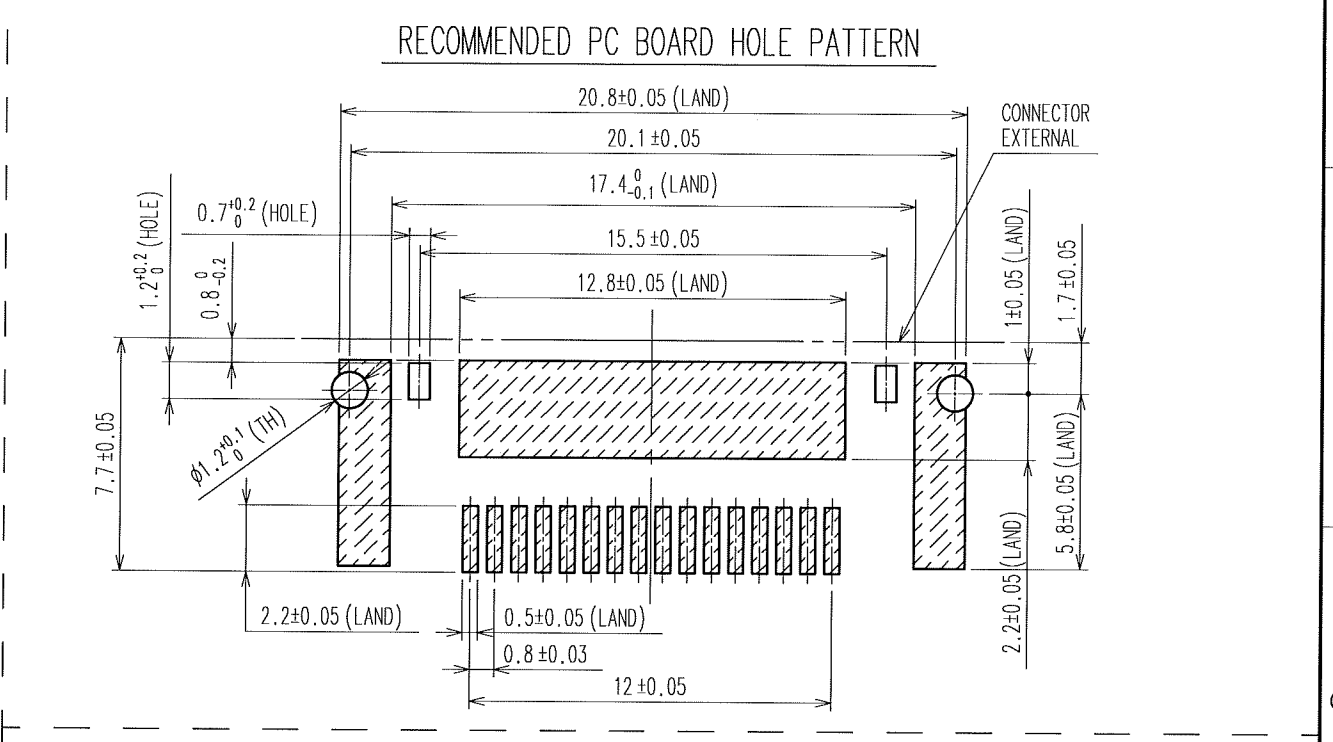


Apr.1.2017 Copyright 2017 HIROSE ELECTRIC CO., LTD. All Rights Reserved.



COUNT	DESCRIPTION OF REVISIONS	BY	CHKD	DATE	COUNT	DESCRIPTION OF REVISIONS	BY	CHKD	DATE



- NOTES
- 1 DIMENSIONS OF SMT RANGE FROM DATUM : 0~-0.15.
LEAD CO-PLANARITY : 0.1 max.
 - 2. THIS PRODUCT SHALL BE PROTECTED BY THE CASE OF EQUIPMENT.
 - 3. 1REEL:1000 PIECES.

- 4 PLATING CONTACT AREA PALLADIUM-NICKEL 0.75μ m min.
+GOLD 0.05μ m min.
LEAD AREA GOLD 0.03μ m min.
UNDER PLATING NICKEL 2μ m min.
- 5 PLATING SURFACE AREA (PART) GOLD 0.03μ m min.
UNDER PLATING NICKEL 1μ m min.

2	PHOSPHOR BRONZE	4	PS			
1	PPS	COLOR BLACK , UL94V-0	3	STAINLESS STEEL	5	
NO.	MATERIAL	FINISH, REMARKS	NO.	MATERIAL	FINISH, REMARKS	
CODE NO. (OLD)	CL	DRAWN	DESIGNED	CHECKED	APPROVED	RELEASED
		H. Kikuchi	H. Kikuchi	M. Mizoguchi	Shojiyoshi	
		06.11.09	06.11.09	06.11.09	06.11.09	
SCALE	DRAWING NO.	PART NO.		CODE NO.		1
4 : 1	EDC3-120907-02	3260N-16SR(55)		CL232-0094-5-55		1
UNITS	HIROSE ELECTRIC CO., LTD					1
mm						1

TO