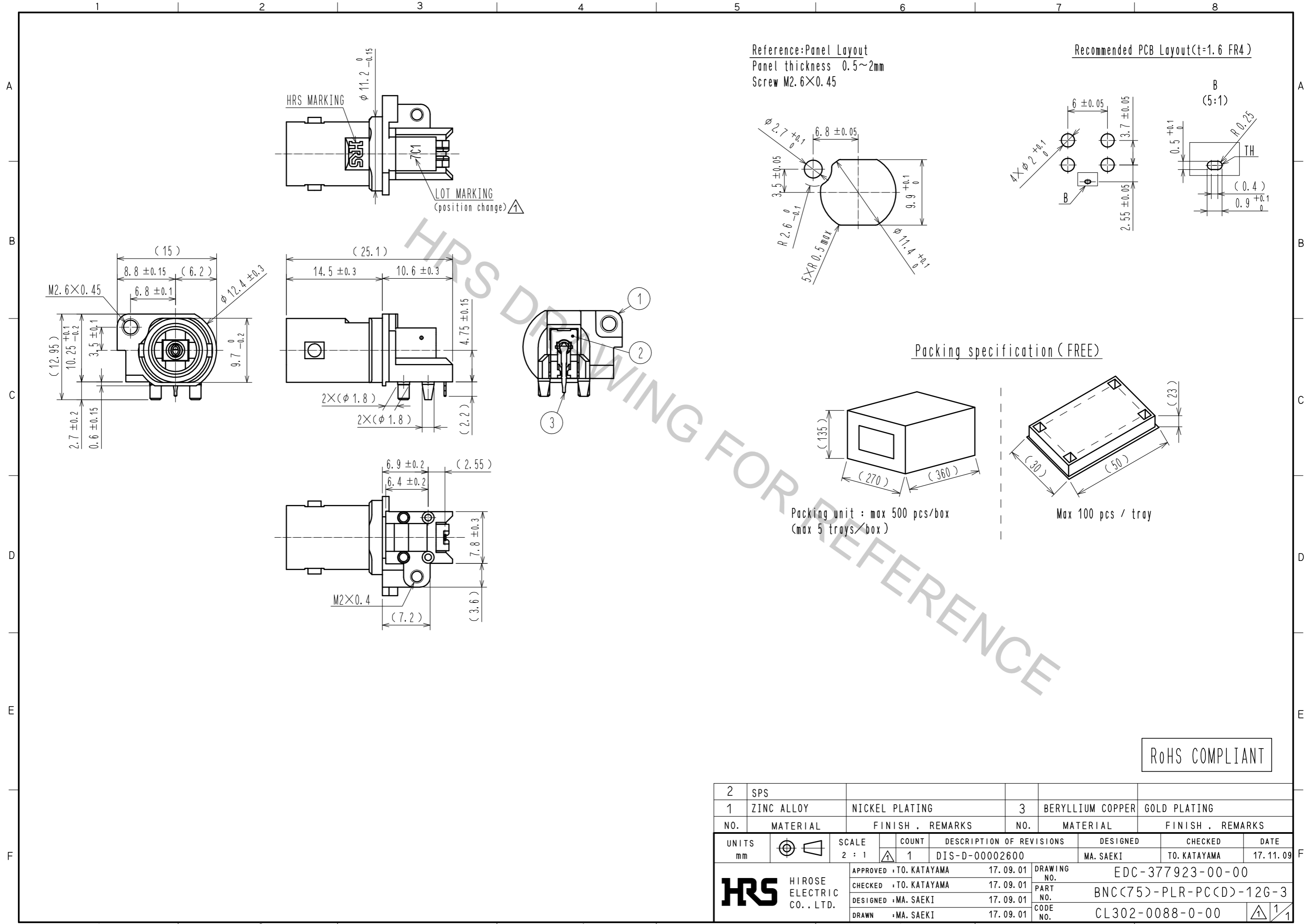
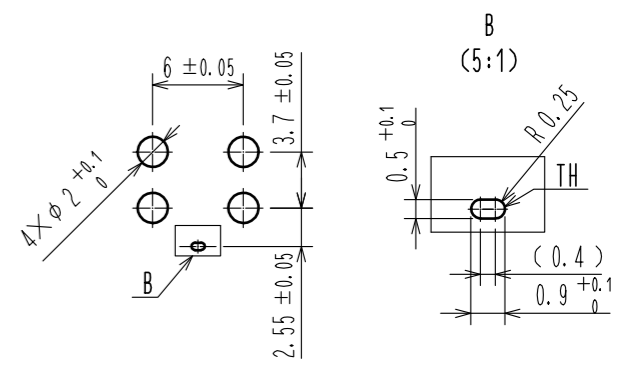


Aug.1.2018 Copyright 2018 HIROSE ELECTRIC CO., LTD. All Rights Reserved.
 In case that the application demands a high level of reliability, such as automotive,
 please contact a company representative for further information.

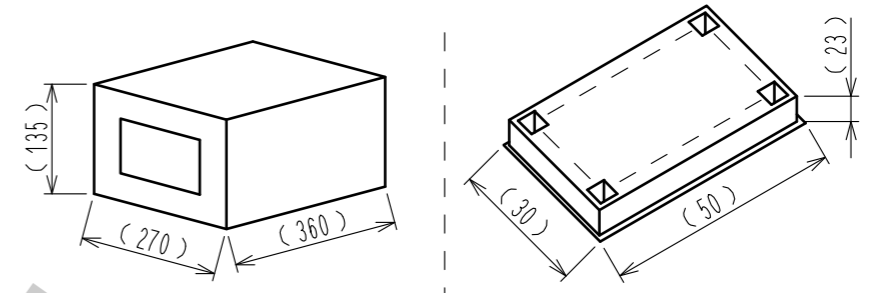


Reference: Panel Layout
 Panel thickness 0.5~2mm
 Screw M2.6×0.45

Recommended PCB Layout(t=1.6 FR4)



Packing specification (FREE)



Packing unit : max 500 pcs/box
 (max 5 trays/box)

Max 100 pcs / tray

RoHS COMPLIANT

2	SPS						
1	ZINC ALLOY	NICKEL PLATING	3	BERYLLIUM COPPER	GOLD PLATING		
NO.	MATERIAL	FINISH . REMARKS	NO.	MATERIAL	FINISH . REMARKS		
UNITS mm		SCALE 2 : 1	COUNT 1	DESCRIPTION OF REVISIONS DIS-D-00002600		DESIGNED MA. SAEKI	CHECKED TO. KATAYAMA
HRS HIROSE ELECTRIC CO., LTD.		APPROVED : TO. KATAYAMA	17.09.01	DRAWING NO. EDC-377923-00-00			
		CHECKED : TO. KATAYAMA	17.09.01	PART NO. BNC(75)-PLR-PC(D)-12G-3			
		DESIGNED : MA. SAEKI	17.09.01	CODE NO. CL302-0088-0-00			
		DRAWN : MA. SAEKI	17.09.01			1/1	