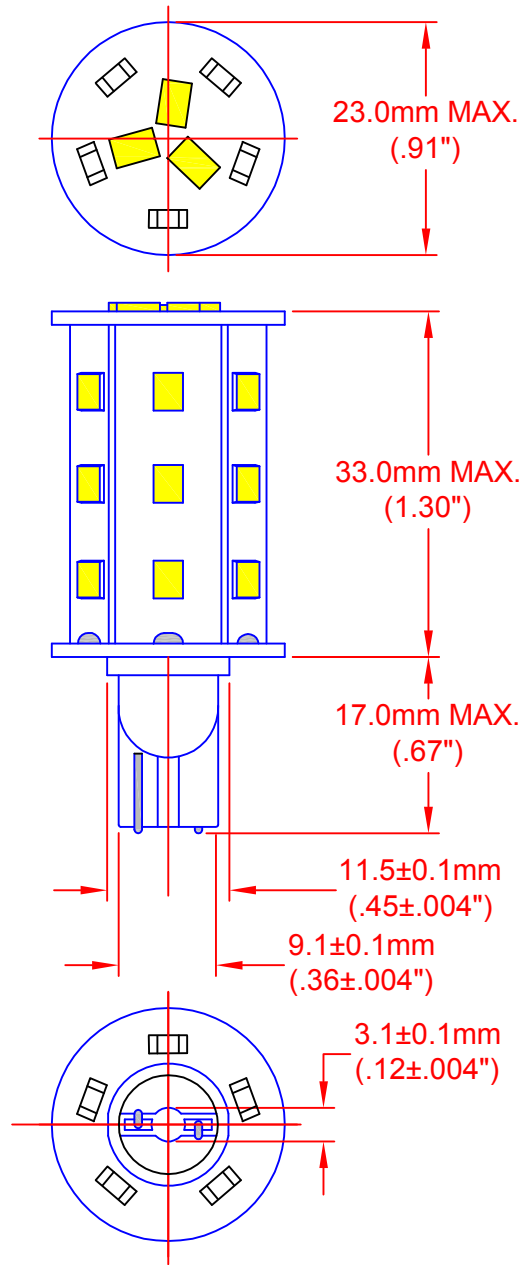


FEATURES

- T-3 1/4 WEDGE BASE - NON-POLARIZED
- WIDE INPUT VOLTAGE RANGE
- LOW POWER USAGE
- OMNI DIRECTIONAL LIGHT DISTRIBUTION
- EFFICACY OF 83 Lm/WATT
- CRI > 80
- COLOR TEMPERATURE 3000°K



JKL PART NUMBER	VOLTAGE AC/DC			WATTS			ILLUMINANCE FLUX lm TYP
	MIN	NOM	MAX	MIN	NOM	MAX	
LE-WB18-12WW	10	12	30	2.0	2.4	2.6	200

JKL PART NUMBER: LE-WB18-12WW

			<p>THIRD ANGLE PROJECTION</p>		<p>METRIC</p> <p>DIMENSIONS ARE IN MILLIMETERS</p> <p>TOLERANCE UNLESS OTHERWISE SPECIFIED</p> <p>1 PL +/- 0.2</p> <p>2 PL +/- 0.20</p> <p>ANGLE +/-</p>		<p>JKL COMPONENTS CORPORATION</p>				
					<p>TITLE</p> <p>T-3 1/4 WEDGE BASE MULTI CHIP LED LAMP</p>						
A	ADD COLOR TEMP TO FEATURES	2/6/16	DRAWN BY		APPV'D BY	DATE	SIZE	FSCM NO.	DRAWING NO.		
	RELEASED	11/8/15	L. WENGSTROM		L.R.	2/6/16	A	55335	LE-WB18-12WW		
REV. NO.	DESCRIPTION/ECO NUMBER	APPV'D DATE	- CAD DRAWING - MANUAL REVISIONS NOT PERMITTED				SCALE	RELEASED DATE	REVISION DATE	REV. NO.	SHEET
							NONE	11/8/15	2/6/16	A	1 OF 1