

Technical specification:

Rated voltage: 4,75 - 5,25 V DC
 Degree of protection: IP 67 with M12x1
 IEC 60529 IP 40 with D-Sub
 Temperatur range: -25°C ... +60°C
 IEC 60664-1
 Mating cycles: >=100
 IEC 60512-9a
 D-Sub male connector: with connectable
 terminal resistor

Materials:

M12x1:

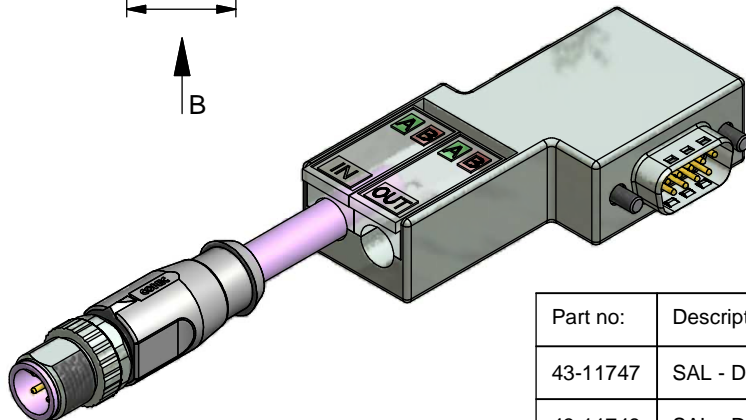
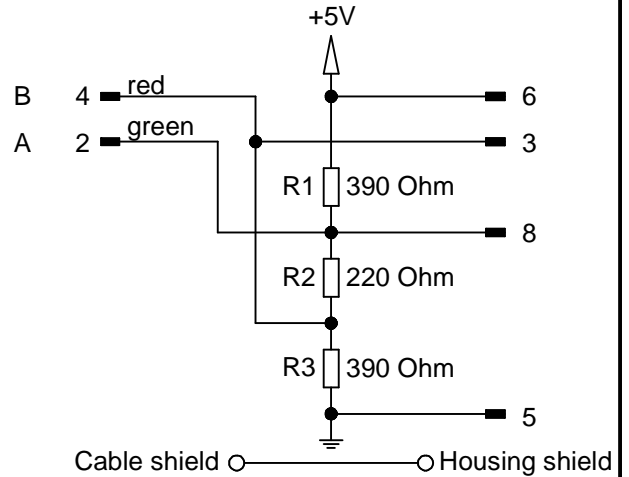
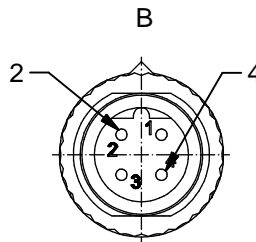
Contact: CuZn
 Contact plating: Nickel, gold plated
 Contact carrier: PBT GF, UL 94
 Sealing: FPM
 Coupling screw: GD-Zn, nickel plated
 Moulding body: TPU, UL 94,
 grey

D-Sub:

Housing: Thermoplastic, chromed
 Contact: IDC-contact CuSn, CuZn

Installation specification:

Recommended torque: 0,6 Nm
 Conec installation tool: Torque wrench:
 36-000200
 Insert across flats 13:
 36-000220



Part no:	Description:	Length L:	Cable:
43-11747	SAL - DS - SKSW9 - 12B - RS4.1 - 2 / G5	2m	PVC, UL, violet, 2xAWG22 Cable: 781-G53200
43-11748	SAL - DS - SKSW9 - 12B - RS4.1 - 3 / G5	3m	
43-11749	SAL - DS - SKSW9 - 12B - RS4.1 - 5 / G5	5m	

D see data sheet cable

DO NOT ALTER CAD DRAWING BY HAND	Directive 2002/95/EC RoHS compliant	Index: a 02.03.11 VF Ä3767 Coupling screw modified, spanner flats added, data sheet modified	dim. in mm	title: Connecting cable, M12x1 - D-Sub 9pos angled with terminal resistor, PDP		
		tolerance of cable: L ≤ 4m: L + 40mm L > 4m: L + 1%			date	name
		THIS DRAWING MAY NOT BE COPIED OR REPRODUCED IN ANY WAY, AND MAY NOT BE PASSED ON TO A THIRD PARTY WITHOUT WRITTEN PERMISSION. OWNERSHIP AND COPYRIGHT OF CONEC GmbH			dwg no:	43K1A644
					part no:	see table