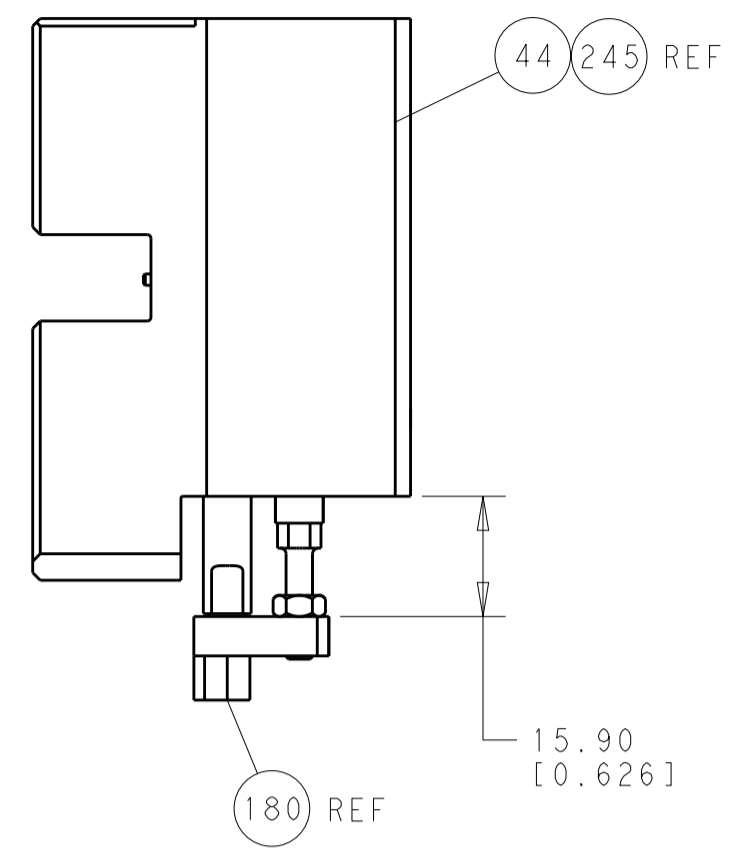


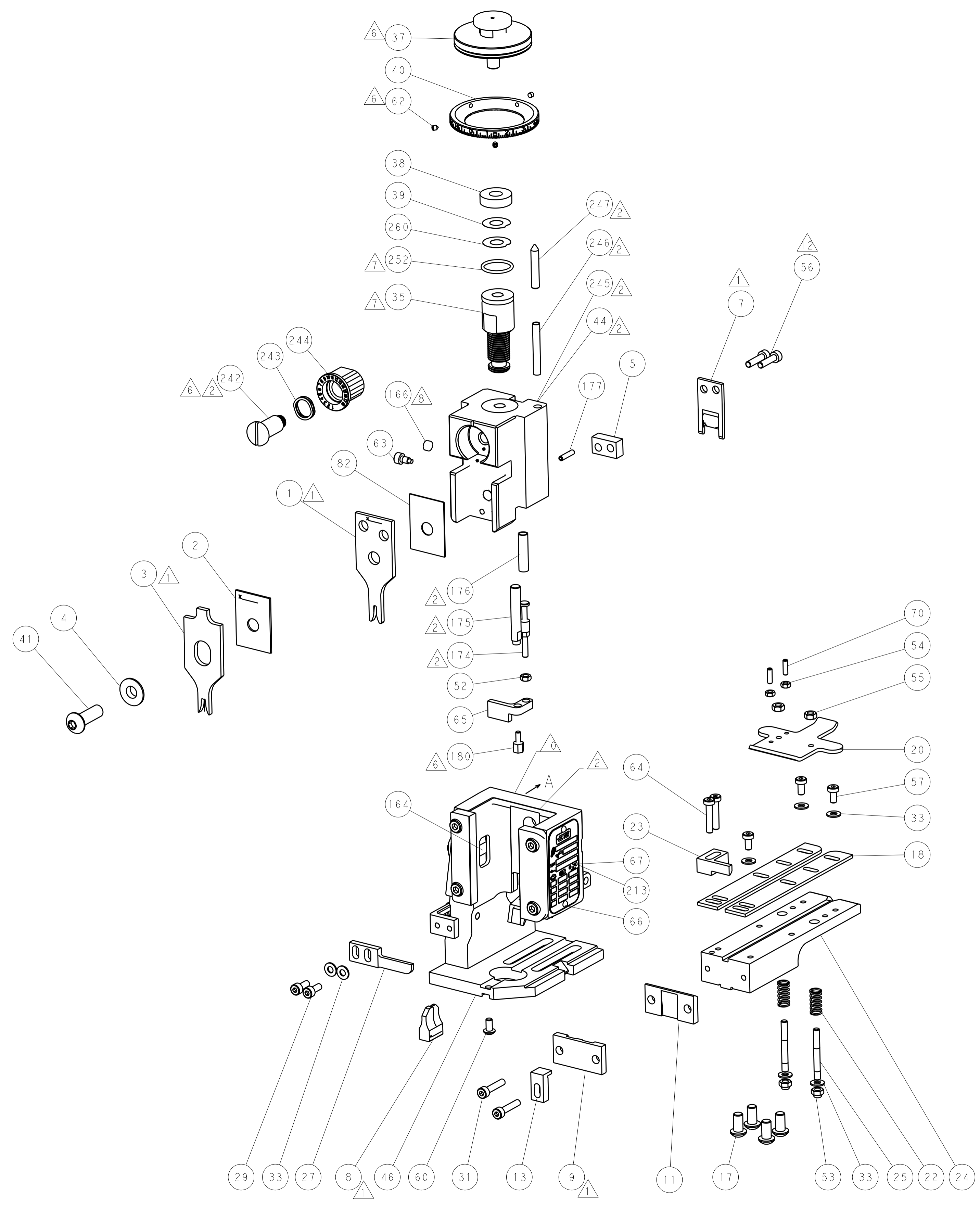


LOC		DIST		REVISIONS			
A	66	P	LTM	DESCRIPTION	DATE	DWN	APVD
		-	-	SEE SHEET 1	-	-	-

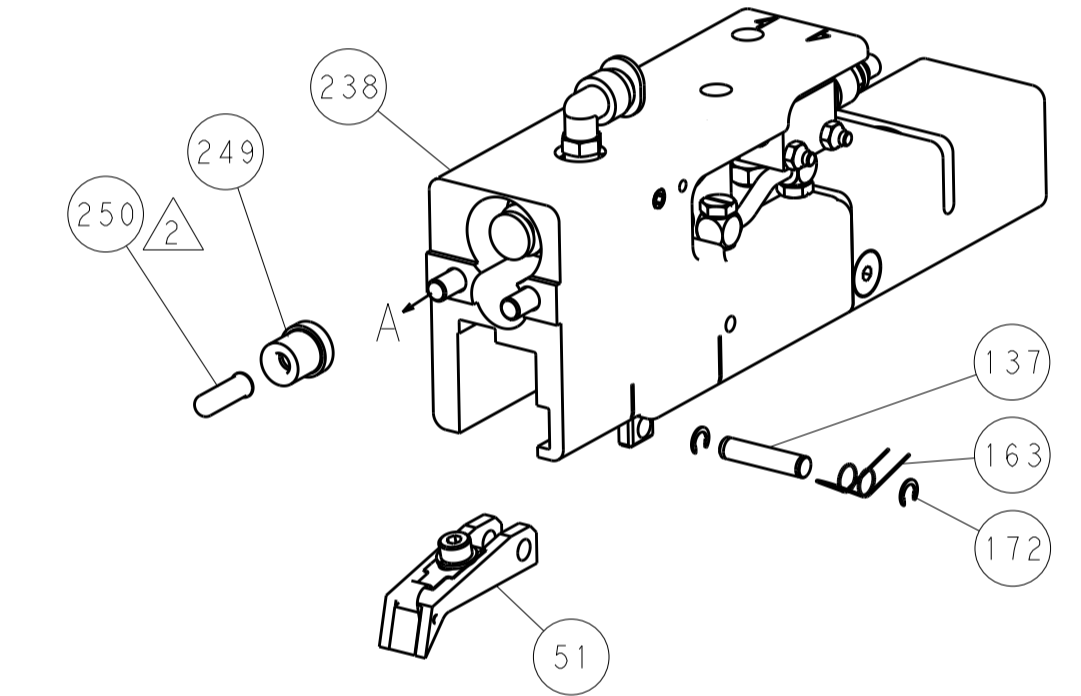


HOLDDOWN SET-UP

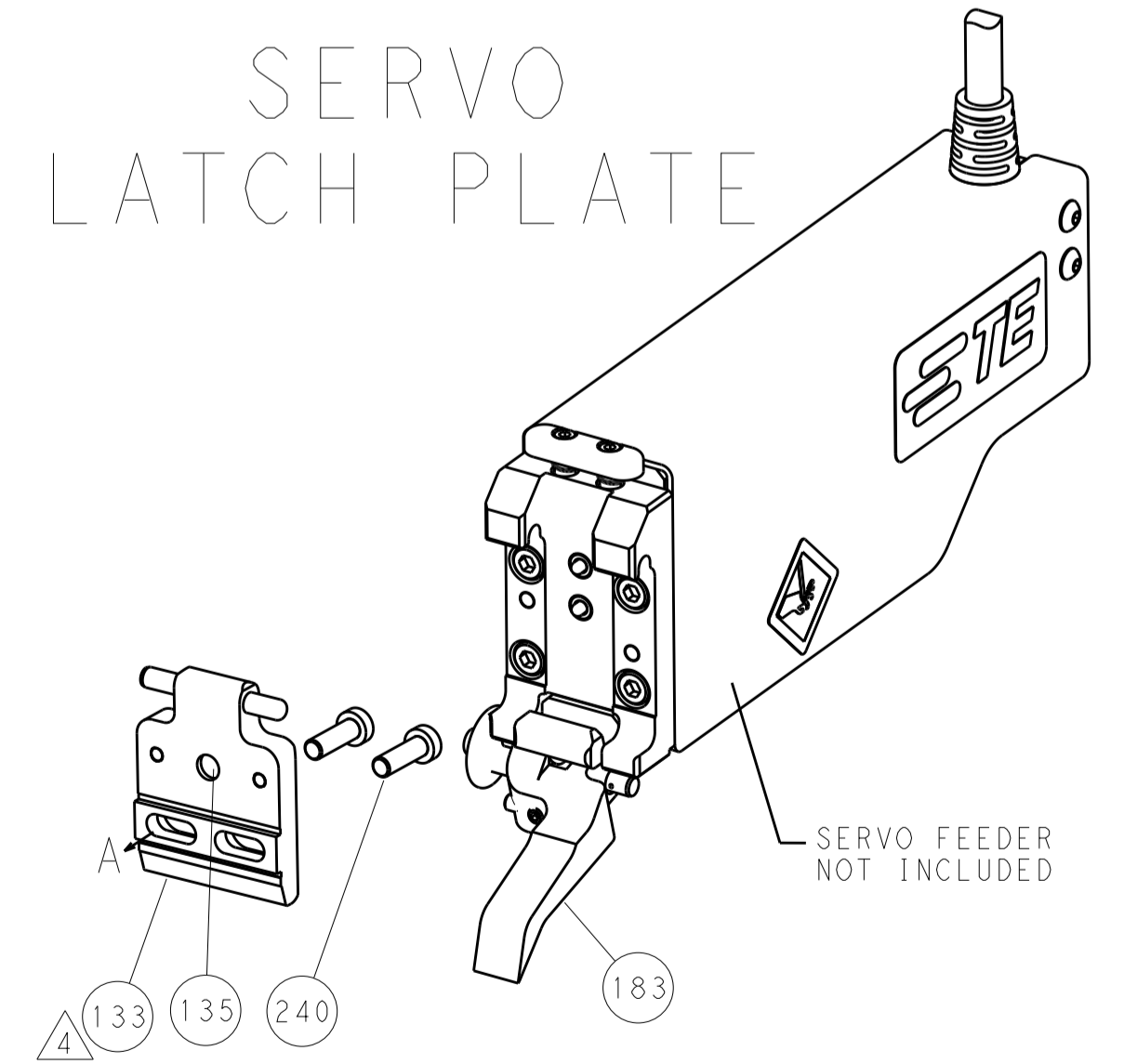
FEED TYPE



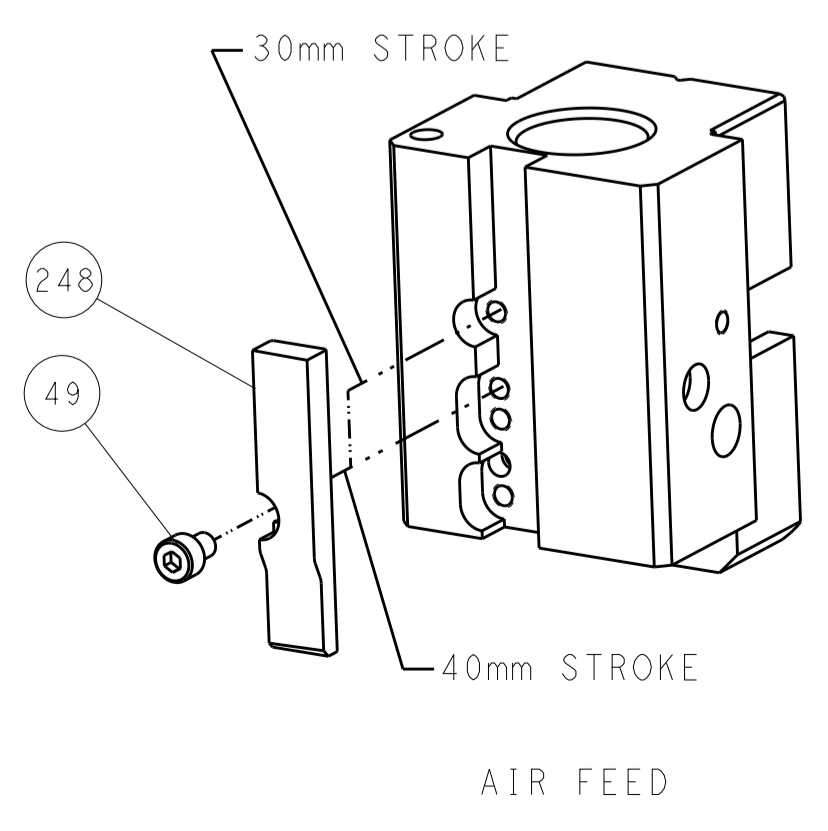
PNEUMATIC



SERVO LATCH PLATE



CAM POSITION



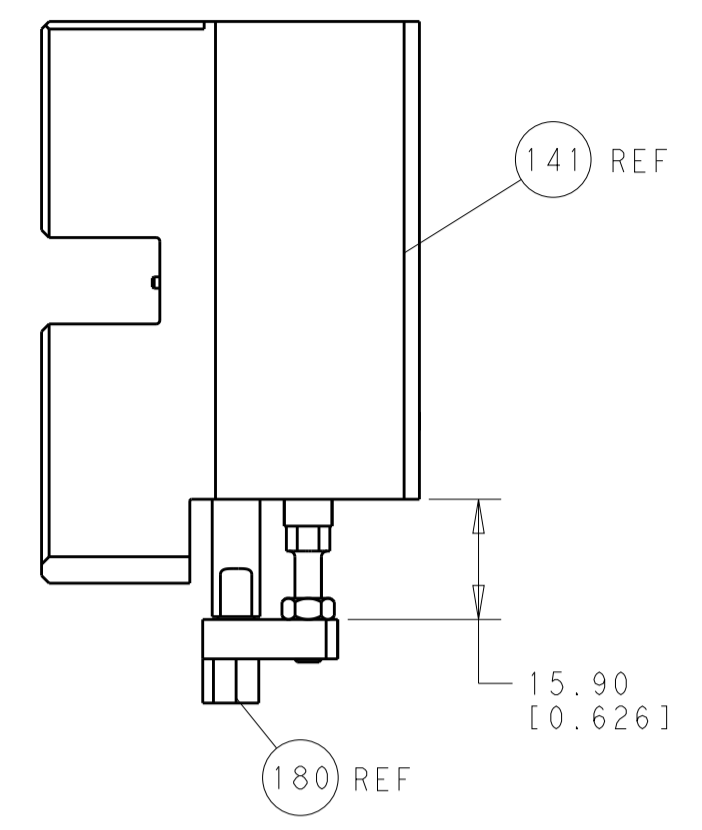
AIR FEED

ATLANTIC VERSION  
 Shown on sheets 1 of 4 & 2 of 4  
 (Pacific version shown on sheets 3 of 4 & 4 of 4)

DIMENSIONS: mm 		TOLERANCES UNLESS OTHERWISE SPECIFIED: 0 PLC ±0.5 1 PLC ±0.5 2 PLC ±0.13 3 PLC ±0.013 4 PLC ±0.001 ANGLES ±0.001		DWN L.C. CHEN 25MAY2012 CHK S.XI 25MAY2012 APVD J. CRUZ 25MAY2012		TE Connectivity Harrisburg, PA 17105-3608	
MATERIAL:		FINISH:		NAME Ocean End Feed Applicator		RESTRICTED TO:	
WEIGHT:		SCALE 1:1		SIZE CAGE CODE DRAWING NO. A11 00779 C=2150059		SHEET 2 OF 4 REV B	
Customer Accessible Production Drawing				SHEETS 3 & 4 ARE NOT REQUIRED FOR ATLANTIC VERSION			

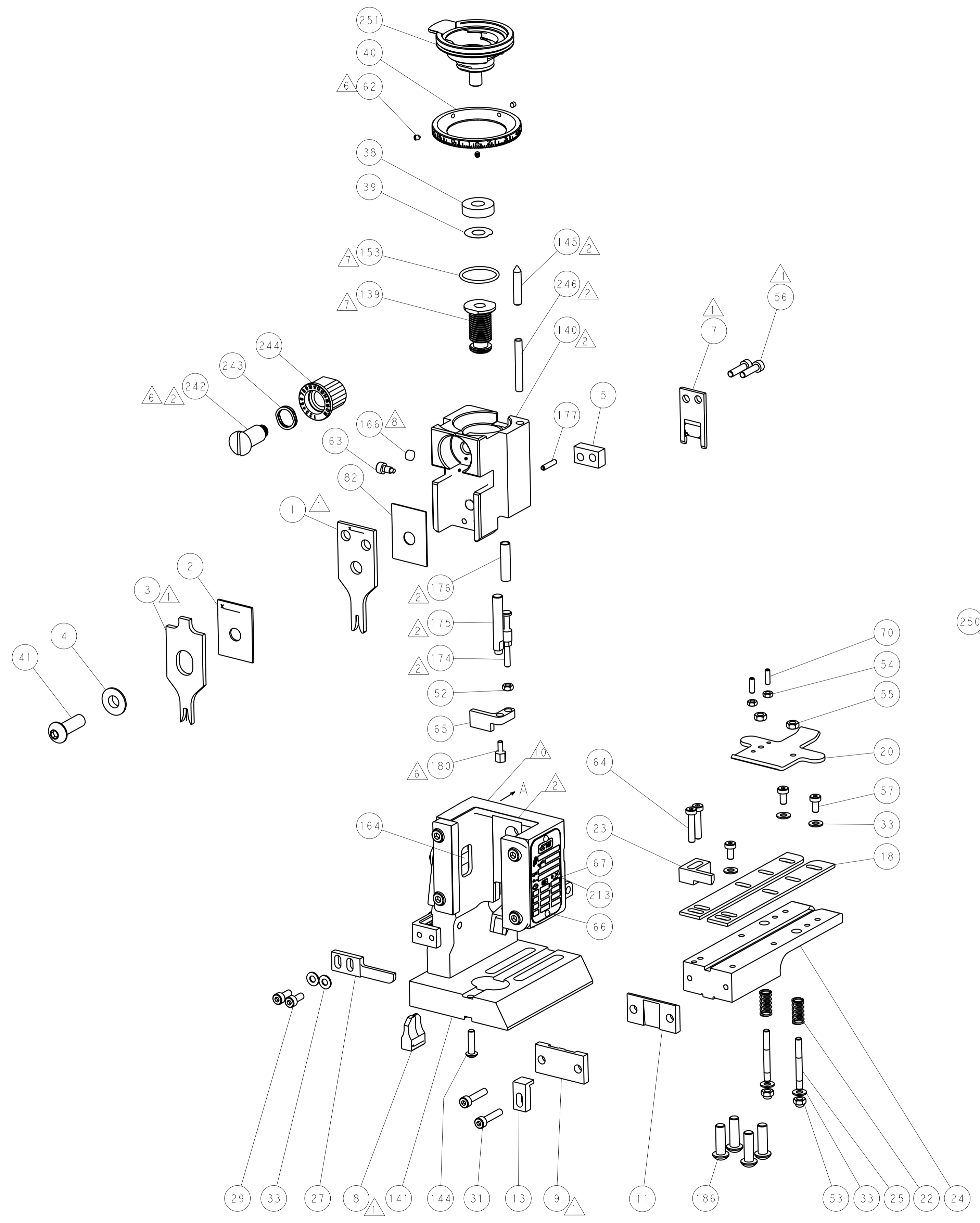


LOC		DIST		REVISIONS			
A	66	P	LTM	DESCRIPTION	DATE	DWN	APVD
		-	-	SEE SHEET 1	-	-	-

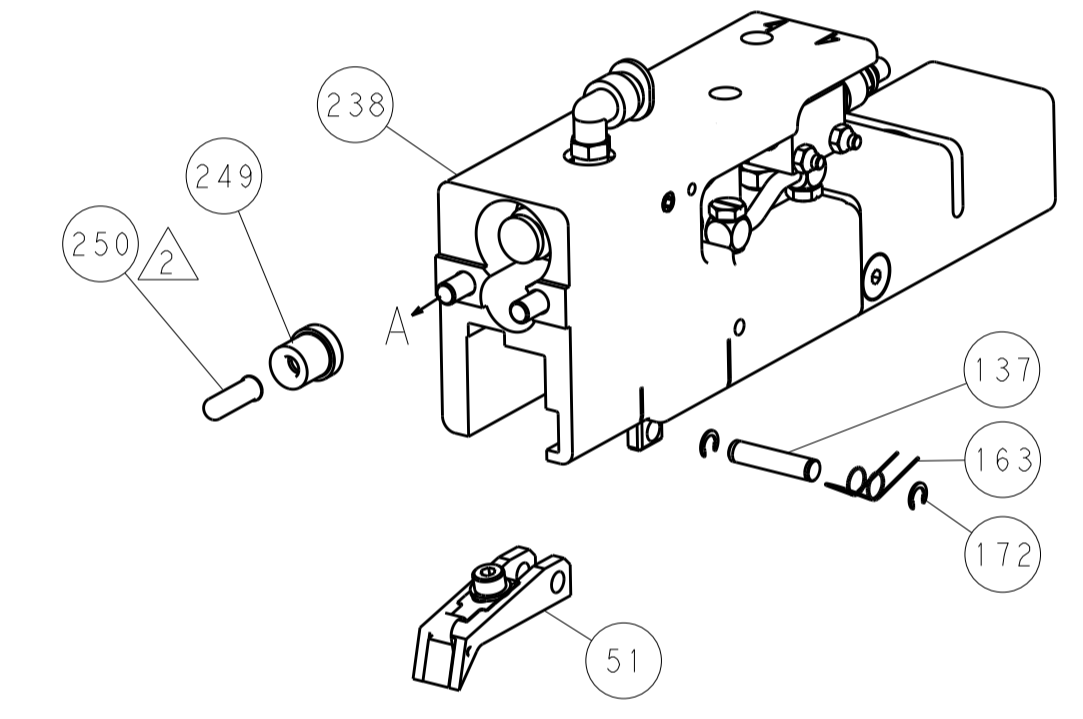


HOLDDOWN SET-UP

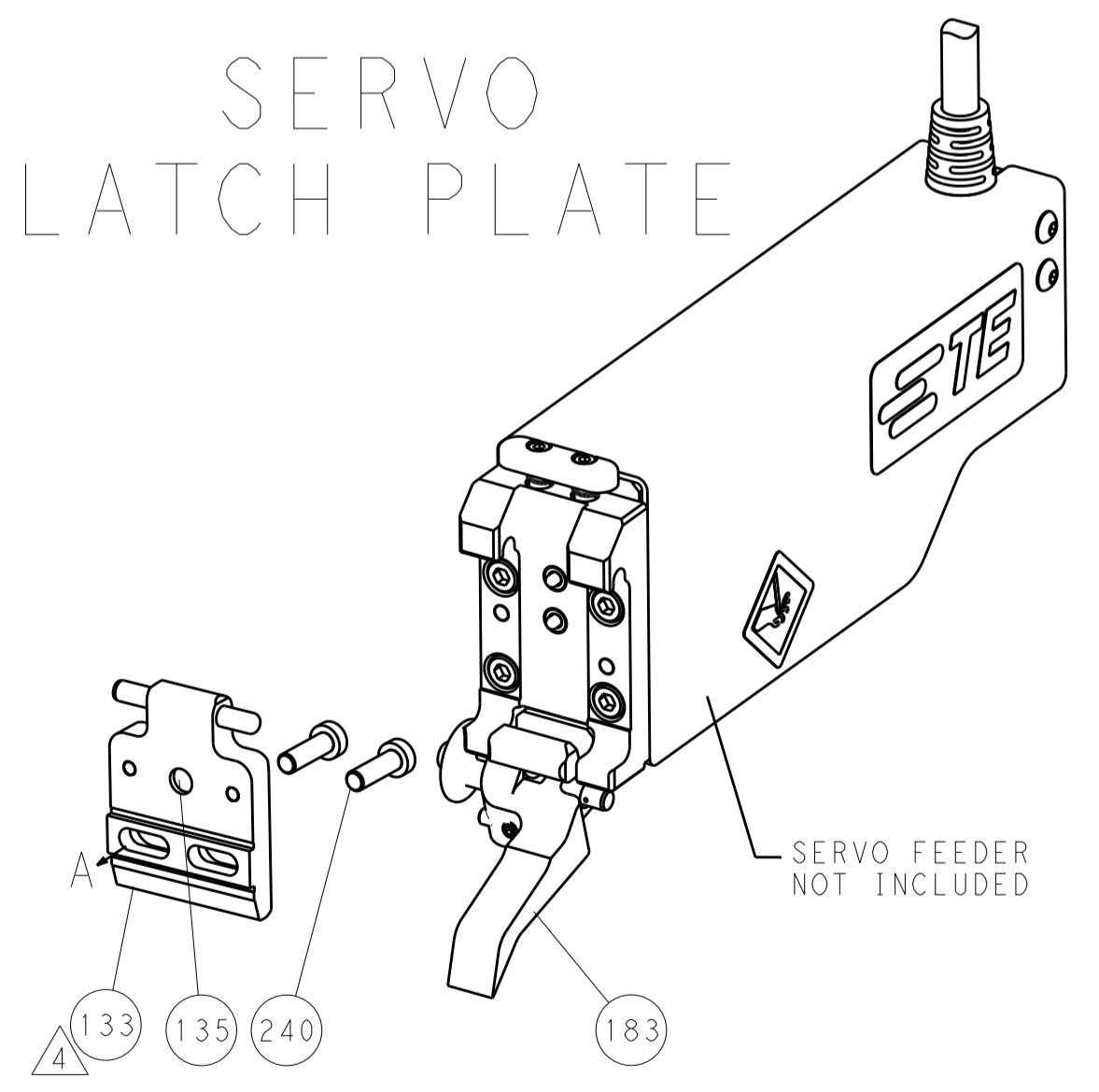
FEED TYPE



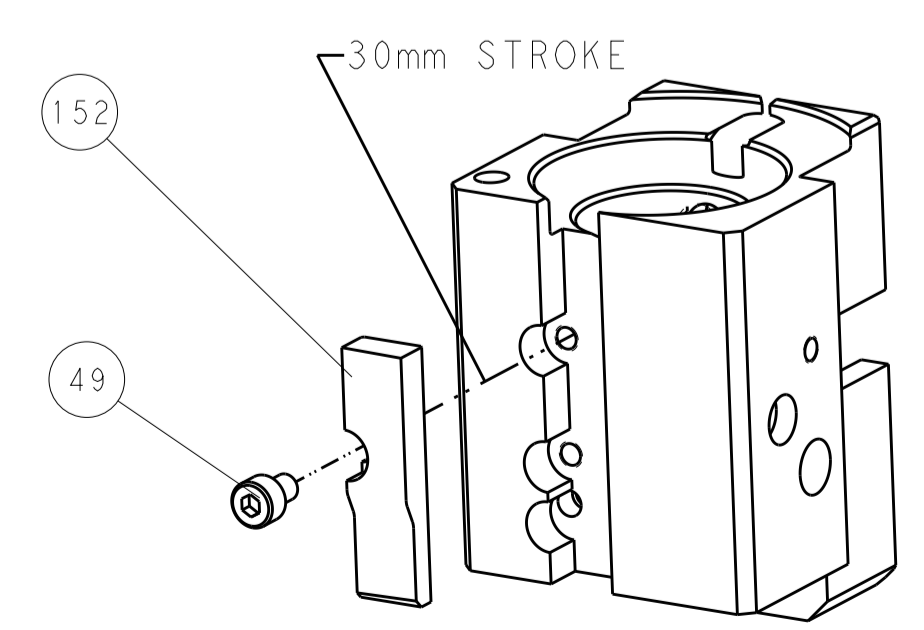
PNEUMATIC



SERVO LATCH PLATE



CAM POSITION



AIR FEED

**PACIFIC VERSION**  
 Shown on sheets 3 of 4 & 4 of 4  
 (Atlantic version shown on sheets 1 of 4 & 2 of 4)

DIMENSIONS:		TOLERANCES UNLESS OTHERWISE SPECIFIED:		DWN L.C. CHEN 25MAY2012		STE TE Connectivity Harrisburg, PA 17105-3608	
mm	0 PLC ±0.5	1 PLC ±0.5	2 PLC ±0.13	3 PLC ±0.013	4 PLC ±0.001	APVD S.XI 25MAY2012	NAME
	ANGLES ±0.001	FINISH		PRODUCT SPEC		Ocean End Feed Applier	
MATERIAL				APPLICATION SPEC		SIZE CAGE CODE DRAWING NO RESTRICTED TO	
				WEIGHT		A 00779 C=2150059	
Customer Accessible Production Drawing				SCALE 1:1		SHEET 4 OF 4 REV B	