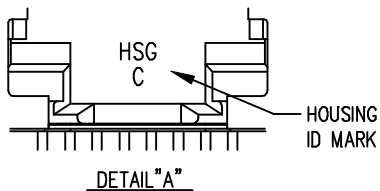


Stewart Connector

http://www.stewartconnector.com

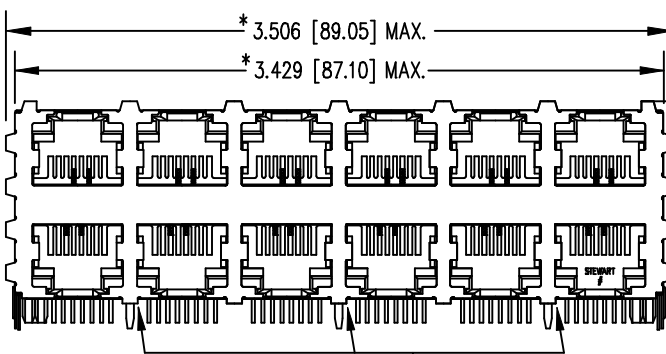
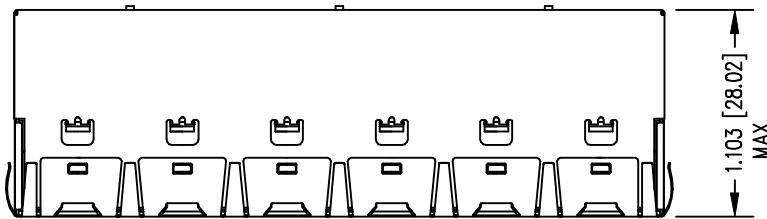
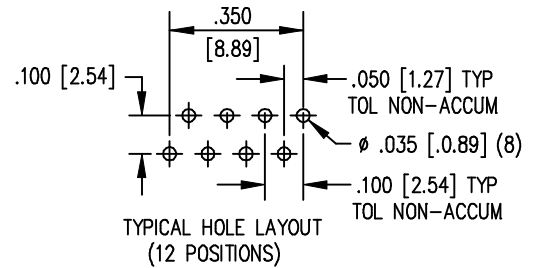
1118 Susquehanna Trail South
 Glen Rock, PA 17327-9199
 (717) 235-7512 Fax: (717) 235-7954

REV.	REVISION CHANGES	ECN
B2	DIMENSIONED OUTER SHIELD TAILS.	5104
B3	CORRECTED DRAFTING ERROR	5237
B4	UPDATED HSG PEG & SHIELD REAR SOLDER-TAIL ADDED PLATING NOTE	5357
C0	UPDATED SHIELD TO EMBOSS TAILS	5458

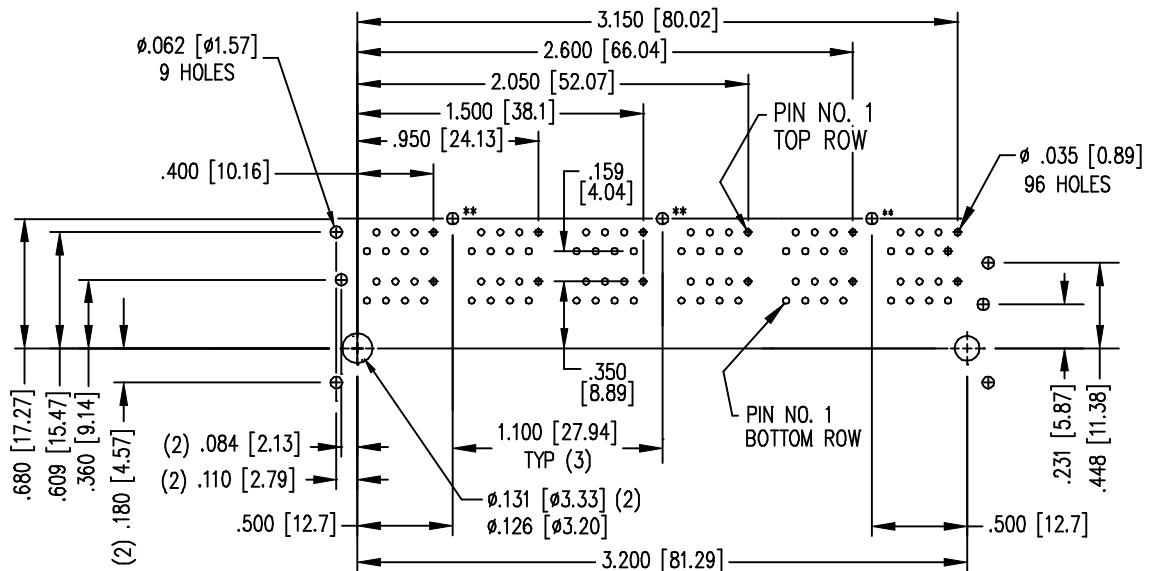
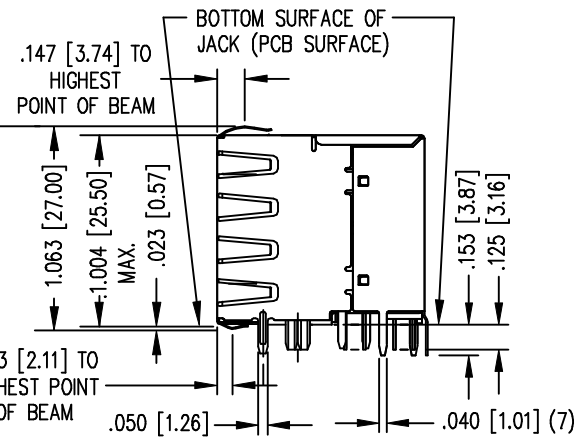


PART NO. SS-73100-046

HIGH PERFORMANCE SHIELDED STACK JACK
 ** REAR TAILS ON PORT CENTERS
 EIGHT CONTACT, EIGHT POSITION
 50 MICRO INCHES GOLD
 12 PORTS (6 ON 6)



BOTTOM PANEL GROUNDS EXIST ONLY
 AT THESE 3 LOCATIONS BETWEEN PORTS.



NOTES:

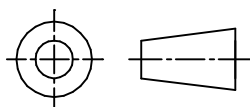
- TOLERANCES COMPLY WITH F.C.C. DIMENSION REQUIREMENTS.
- DIMENSIONS SHOWN WITH "*" TO BE CENTRAL ABOUT CENTER LINE.
- DIMENSIONS SHOWN ARE SUBJECT TO CHANGE WITHOUT NOTICE.
- SHIELDS ARE NICKEL PLATED.

SHEET 1 OF 2

CUSTOMER NAME: CISCO SYSTEMS

THIS DRAWING AND THE SUBJECT MATTER SHOWN THEREON ARE CONFIDENTIAL AND THE PROPRIETARY PROPERTY OF STEWART CONNECTOR ("SCS") AND SHALL NOT BE REPRODUCED, COPIED OR USED IN ANY MANNER WITHOUT PRIOR WRITTEN CONSENT OF "SCS". THE SUBJECT MATTER MAY BE PATENTED OR A PATENT MAY BE PENDING. © SCS

THIRD ANGLE PROJECTION



DRN BY: T. R. MECKLEY	DATE 3-22-99	ORIGINAL PROPOSAL DRAWING -
CKD BY: L. K. ESPENSHADE	DATE 3-22-99	ENR NUMBER 9304
APPD BY: T. R. MECKLEY	DATE 3-22-99	PROJECT NO. -
UNLESS OTHERWISE SPECIFIED TOLERANCES ARE ±.005 [±0.13]	DWG NO. CT730112	REV. C0

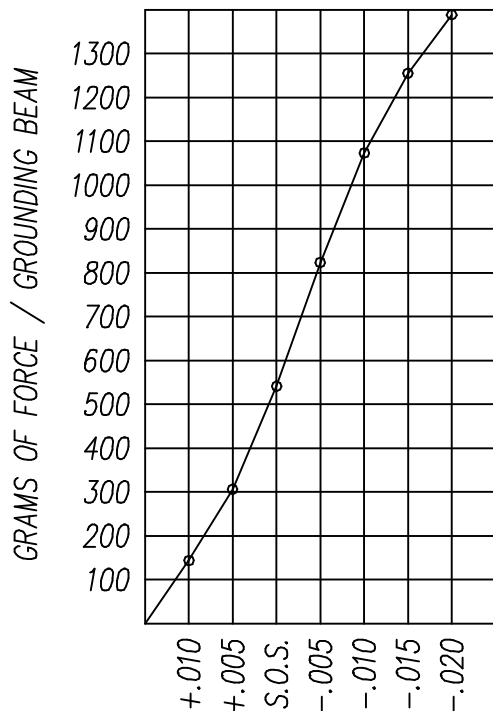
Stewart Connector

http://www.stewartconnector.com

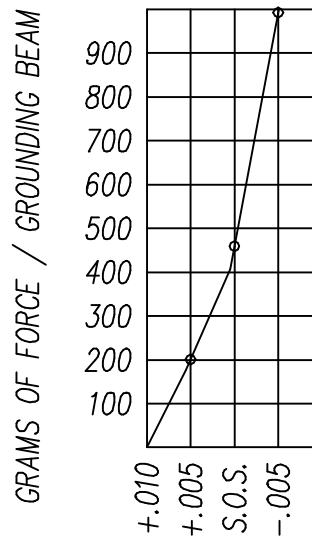
11118 Susquehanna Trail South
Glen Rock, PA 17327-9199
(717) 235-7512 Fax: (717) 235-7954

REV.	REVISION CHANGES	ECN
B2	DIMENSIONED OUTER SHIELD TAILS.	5104
B3	CORRECTED DRAFTING ERROR	5237
B4	UPDATED HSG PEG & SHIELD REAR SOLDER-TAIL ADDED PLATING NOTE	5357
C0	UPDATED SHIELD TO EMBOSS TAILS	5458

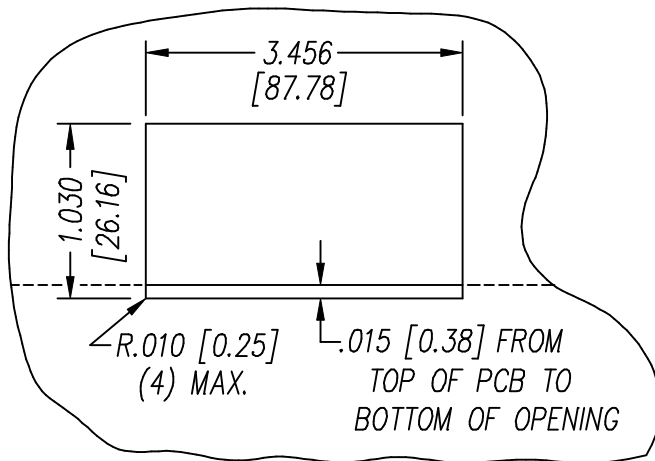
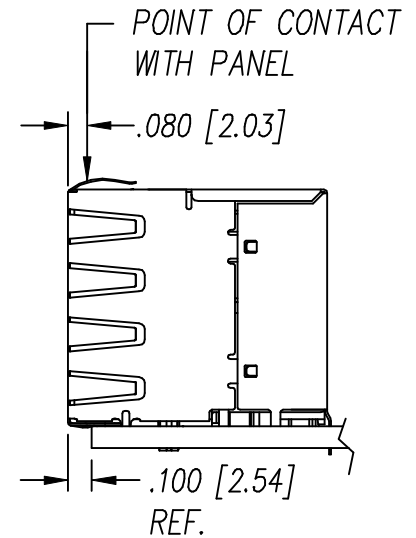
PART NO. SS-73100-046



PANEL GROUNDING BEAM DEFLECTION
TOP AND SIDE BEAMS
S.O.S. = SUGGESTED OPENING SIZE



PANEL GROUNDING BEAM DEFLECTION
BOTTOM BEAMS ONLY
S.O.S. = SUGGESTED OPENING SIZE



SUGGESTED PANEL OPENING
(N.T.S.)

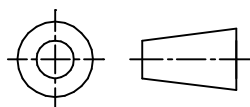
THE SUGGESTED PANEL OPENING IS INTENDED TO GIVE THE USER THE ABILITY TO HAVE REASONABLE JACK / PANEL CLEARANCES YET MAINTAIN RELIABLE GROUNDING CAPABILITY. THESE VARIABLES CAN BE ADJUSTED IN EITHER DIRECTION BUT MAY CARRY SOME CONSEQUENCES IN THE FORM OF LOWER MATING FORCES OR TIGHTER ASSEMBLY TOLERANCES.

SHEET 2 OF 2

CUSTOMER NAME: CISCO SYSTEMS
(IF APPLICABLE)

THIS DRAWING AND THE SUBJECT MATTER SHOWN THEREON ARE CONFIDENTIAL AND THE PROPRIETARY PROPERTY OF STEWART CONNECTOR ("SCS") AND SHALL NOT BE REPRODUCED, COPIED OR USED IN ANY MANNER WITHOUT PRIOR WRITTEN CONSENT OF "SCS". THE SUBJECT MATTER MAY BE PATENTED OR A PATENT MAY BE PENDING. © SCS

THIRD ANGLE PROJECTION



DRN BY: T. R. MECKLEY	DATE 3-22-99	ORIGINAL PROPOSAL DRAWING -
CKD BY: L. K. ESPENSHADE	DATE 3-22-99	ENR NUMBER 9304
APPD BY: T. R. MECKLEY	DATE 3-22-99	PROJECT NO. -
UNLESS OTHERWISE SPECIFIED TOLERANCES ARE ±.005 [±0.13]	DWG NO. CT730112	REV. C0