

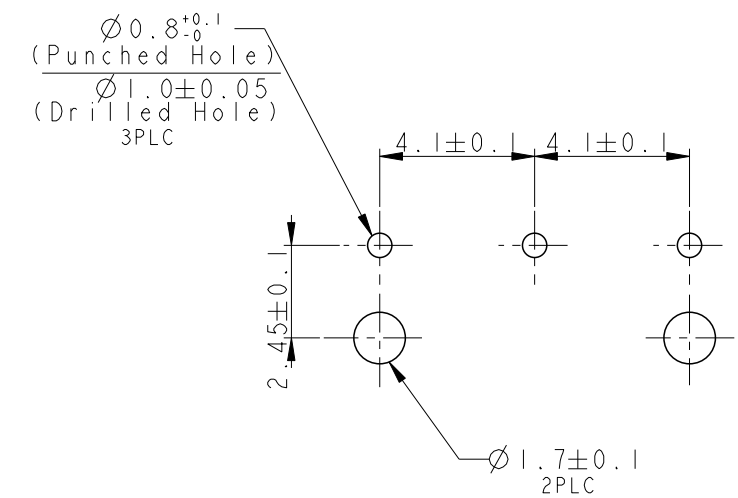
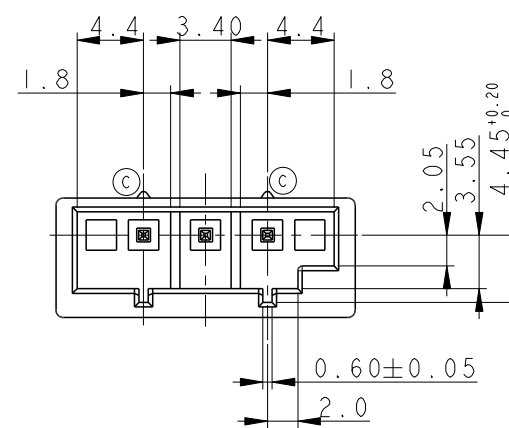
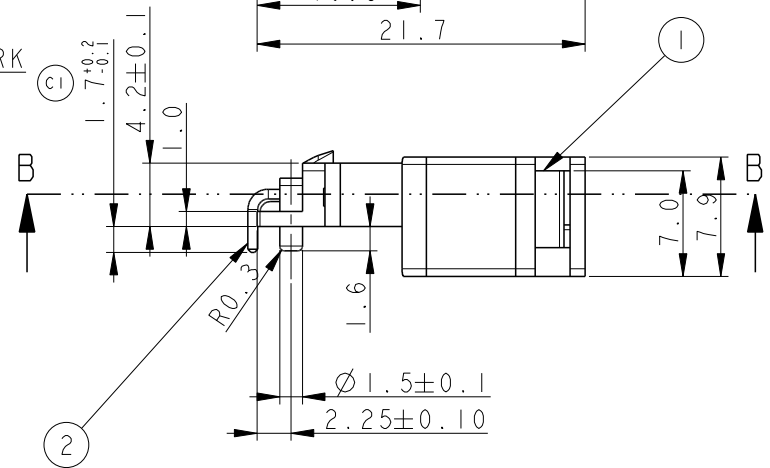
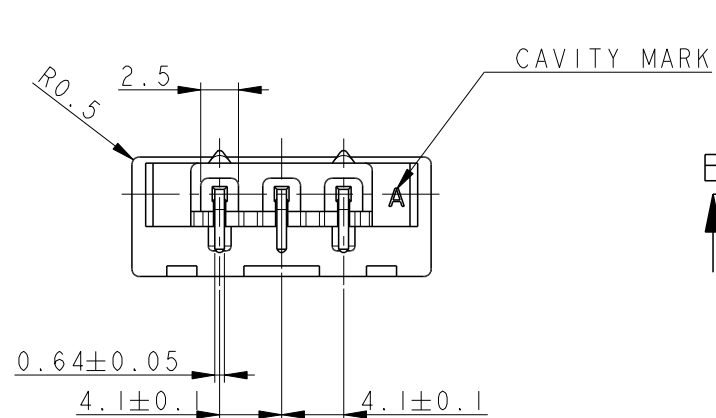
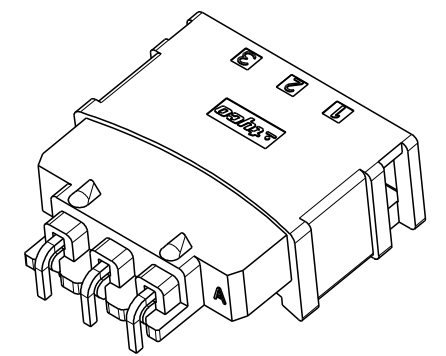
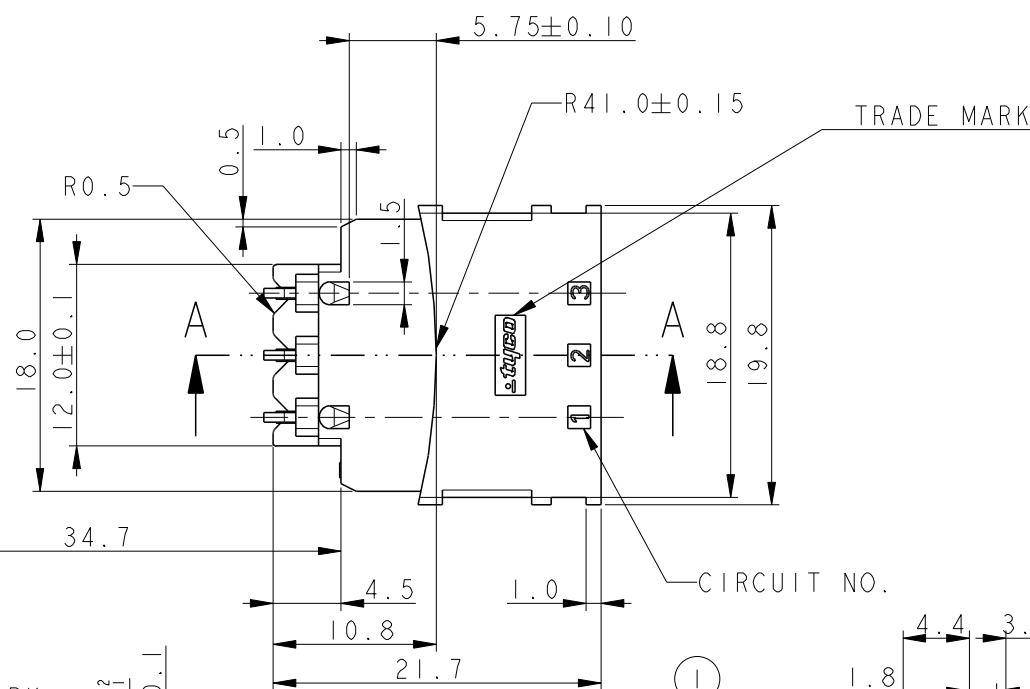
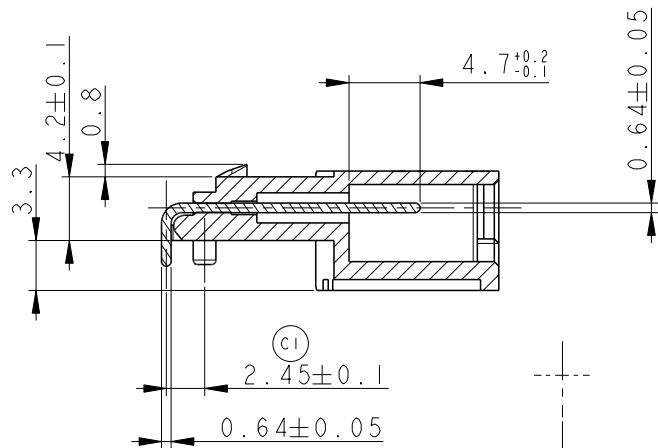
THIS DRAWING IS UNPUBLISHED.

RELEASED FOR PUBLICATION

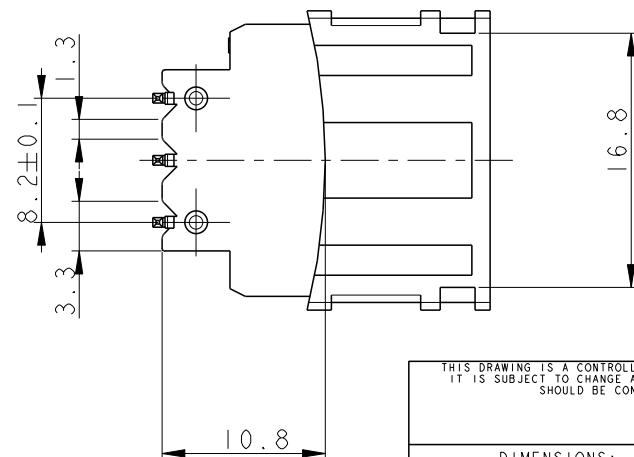
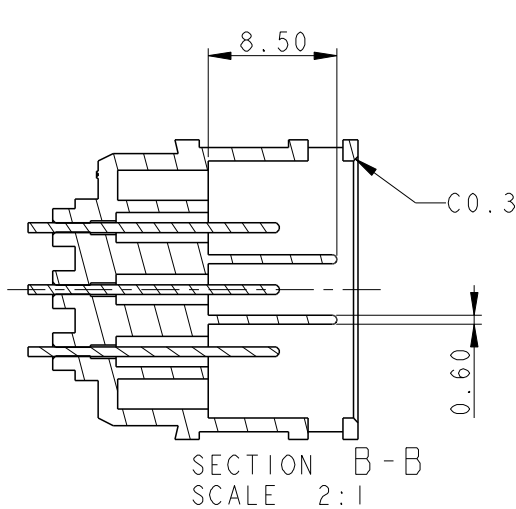
20

© COPYRIGHT 20 BY TYCO ELECTRONICS CORPORATION. ALL RIGHTS RESERVED.

LOC	DIST	REVISIONS			
P	LTR	DESCRIPTION	DATE	DWN	APVD
D-S	-	C I	REVISED(ECR-17-000610)	23JAN2017	BH BW



NOTES
1. GENERAL TOLERANCES : ±0.25



②	POST CONTACT	BRASS	-	1743490-1
①	HDR HSG	6/6 NYLON	NATURAL	
ITEM	DESCRIPTION	MATERIAL	COLOR	P/N

DIMENSIONS:		TOLERANCES UNLESS OTHERWISE SPECIFIED:		DWN		TE Connectivity	
MM		0 PLC	±-	BH CHO	23JAN2017	TE TE Connectivity	
		1 PLC	±0.1	CHK	-		
MATERIAL		2 PLC	±0.01	APVD	BW KANG	NAME	
SEE NOTES		3 PLC	±0.001	PRODUCT SPEC	-	BLOWER MOTOR 3P HDR ASS'Y	
		4 PLC	±0.0001	APPLICATION SPEC	-	SIZE	CAGE CODE
		ANGLES	±-	WEIGHT	-	A3	00779
		FINISH	-	CUSTOMER DRAWING	-	DRAWING NO	C=1743490
						RESTRICTED TO	-
						SCALE	2:1
						SHEET	1 OF 1
						REV	C1