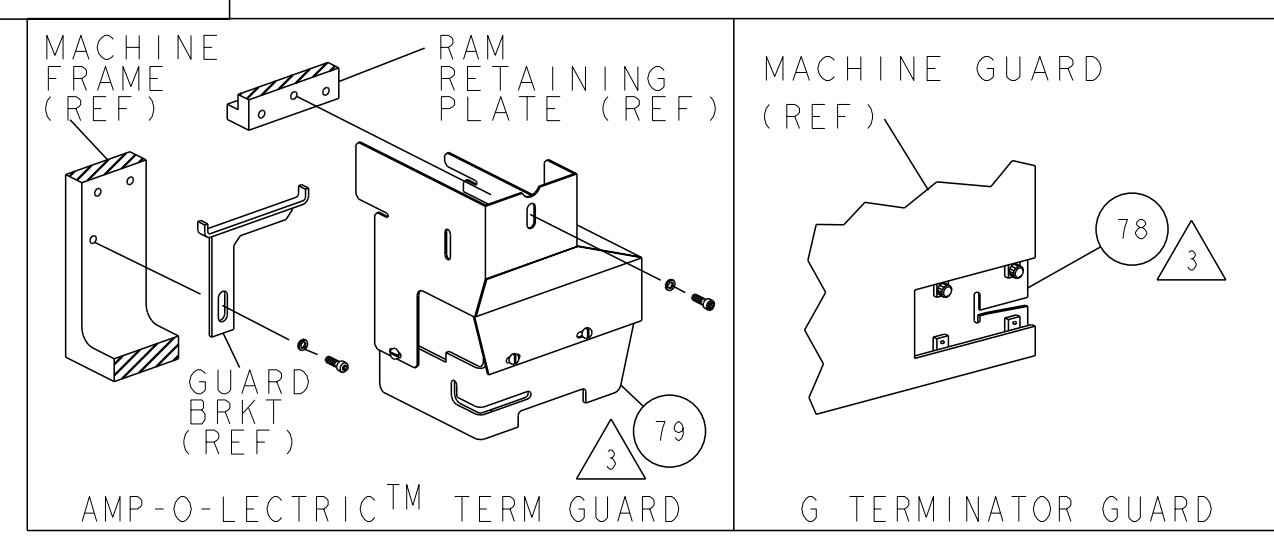
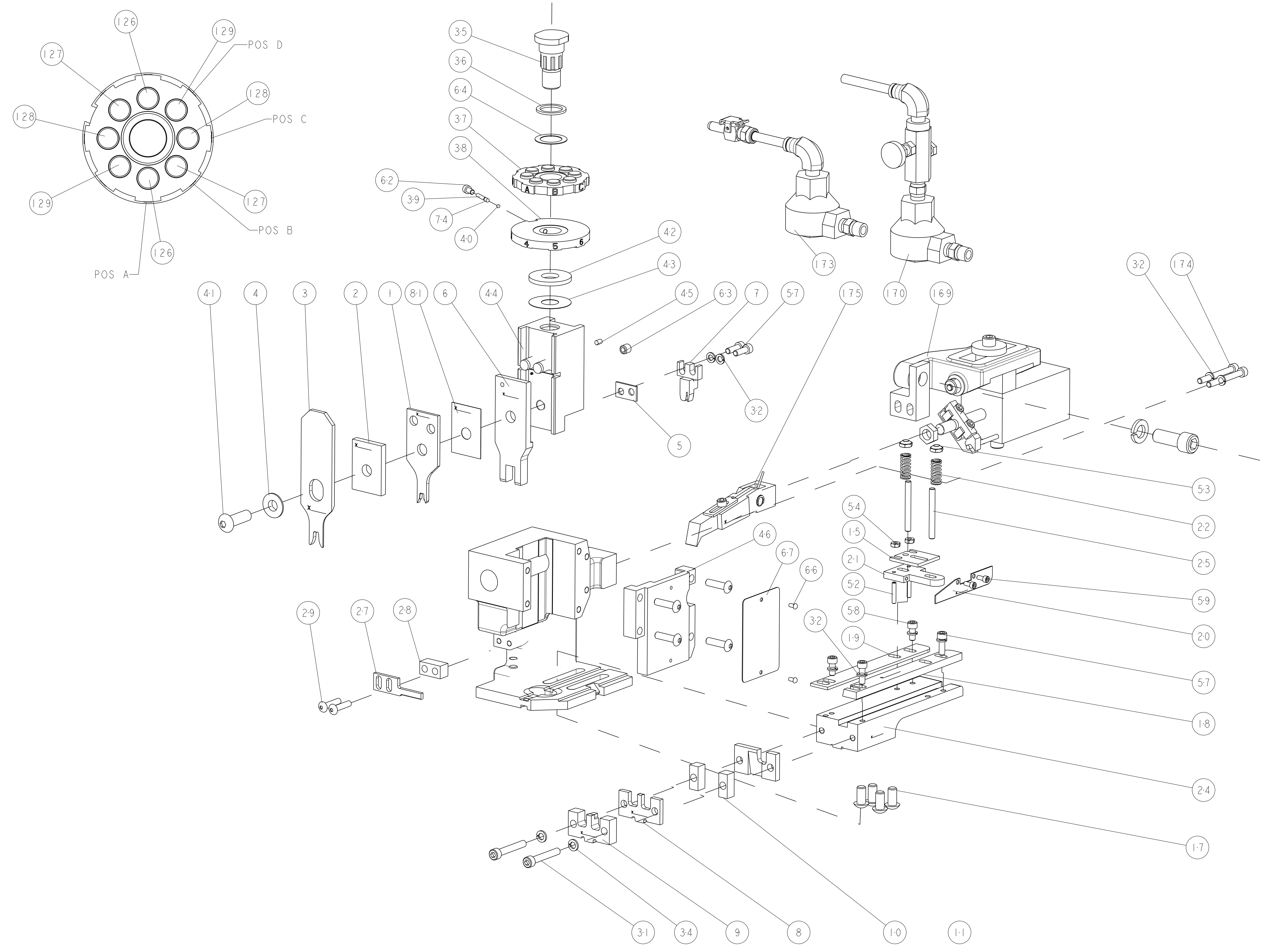


PART NUMBER	REV	FIRST USED	POWER UNIT	FEED TYPE
1852447-1	A	122500-1	LEADMAKER & BENCH MODEL G	POST FEED
1852447-2	A	565435-5	BENCH MODEL K	POST FEED
7-1852447-7	A	-	SPARE PARTS	-



TEC PN		MFR PN		VAN ENG. TERMINAL - VAN ENG. CRIMP SPECS	
1949299-1	-	FL100-B-01	-		
				PAD LTR	CRIMP HEIGHT
				A	.090±.002[2.29±0.05mm]
				B	.085±.002[2.16±0.05mm]
				C	.080±.002[2.03±0.05mm]
				D	.075±.002[1.91±0.05mm]
				CRIMP	SIZE
				WIRE	.140 [3.56mm]
				INSUL	.180 [4.57mm]
					TYPE
					RANGE
					18-12 AWG
					Ø.115-.165
WIRE STRIP LENGTH	TERM APPL SPEC	FEED	APPL INSTRUCTIONS	SET UP GAGE	
.230 -.245	NONE	.774	408-8039	458638-1	

- ① RECOMMENDED SPARE PARTS
- ② GREASE LIGHTLY
- ③ GUARD MUST BE IN PLACE WHEN OPERATING APPLICATOR IN A BENCH MACHINE



LOC	DIST	REV	DESCRIPTION	DATE	BY	APPV
A	66		RELEASED	22JUN2007	BH	BH
		B	ECR-12-004693	13MAR2012	MY	GB

-	1	1	-	2-460680-2	FEED FINGER ASSEMBLY	175
-	2	2	-	3-21000-3	SCR, SKT HD CAP 8-32 X 1.500	174
-	1	1	-	692655-7	AIR FEED VALVE ASSEMBLY	173
-	1	1	-	692655-5	AIR FEED VALVE ASSEMBLY	170
-	1	1	-	460277-1	AIR FEED ASSY	169
-	2	2	-	3-354779-8	PIN, WIRE DISC, .3180	129
-	2	2	-	2-354779-8	PIN, WIRE DISC, .3130	128
-	2	2	-	1-354779-8	PIN, WIRE DISC, .3080	127
-	2	2	-	354779-9	PIN, WIRE DISC, .3035	126
-	1	1	-	455888-1	SPACER, CRIMPER	81
-	REF	REF	..	455745-1	GUARD WINDOW	79
-	REF	REF	..	679532-1	INSERT, GUARD	78
-	1	1	-	690603-1	SPRING ASSIST AMP-O-MATOR APPLICATOR	74
-	1	1	-	217238-1	GENERAL INSTRUCTION PKG	72
-	1	1	-	4088039	EF APPL INST 408-8039	71
-	1	1	-	461264-1	PLATE, IDENTIFICATION	67
-	2	2	-	21017-2	SCREW, DRIVE	66
-	1	1	-	986950-1	WASHER, FLAT PRECISION	64
-	1	1	-	21009-2	SCR, SET, SELF LOCKING 1/4-20 X .250	63
-	1	1	-	23030-1	SCR, SKT HD CAP 6-32 X .25	62
-	2	2	-	1-21000-3	SCR, SKT HD CAP 4-40 X .250	59
-	2	2	-	2-21000-6	SCR, SKT HD CAP 8-32 X .375	58
-	2	2	-	2-21000-7	SCR, SKT HD CAP 8-32 X .500	57
-	2	2	-	2-21000-7	SCR, SKT HD CAP 8-32 X .500	56
-	2	2	-	21018-4	NUT, HEX, REG 4-40	54
-	2	2	-	21022-2	NUT, LOCK, HEX, TORQUE, 8-32	53
-	2	2	-	2-21006-6	SCR, SET, CUP POINT 4-40 X .625	52
-	1	1	..	1-21002-7	SCR, BTN SKT CAP 6-32 X .375	49
-	1	1	..	690501-3	CAM, POST FEED, 1 1/8	48
-	1	1	-	690501-4	CAM, POST-FEED 1 5/8	47
-	1	1	-	1633570-1	SUB ASSY, APPLICATOR FRAME	46
-	1	1	-	690191-1	PLUG, NYLON	45
-	1	1	-	2-819307-5	RAM, SIDE FEED	44
-	1	1	-	690125-1	SHIM SUB-ASSY	43
-	1	1	-	690124-1	WASHER, RAM (.115)	42
-	1	1	-	7-21002-9	SCR, BTN SKT HD CAP 5/16-24 X 1.00	41
-	1	1	-	23241-6	BALL, STEEL	40
-	1	1	-	690170-1	SPRING, COMPRESSION	39
-	1	1	-	1-690142-1	DISC, INSULATION	38
-	1	1	-	354777-1	WIRE DISC, ASSEMBLY	37
-	1	1	-	22480-5	SPRING, COMPRESSION	36
-	1	1	-	690212-1	POST, RAM	35
-	2	2	-	21024-5	WASHER, SPRG LOCK, REG NO 10	34
-	8	8	-	21024-4	WASHER, SPRG LOCK, REG NO 8	32
-	2	2	-	4-21000-0	SCR, SKT HD CAP 10-32 X 1.250	31
-	2	2	-	2-21002-4	SCR, BTN SKT HD CAP 8-32 X .750	29
-	1	1	-	690451-1	SPACER, STRIPPER	28
-	1	1	-	690455-9	STRIPPER, FRONT CASTING	27
-	2	2	-	22354-8	STUD, THREADED	25
-	1	1	-	2-458803-1	PLATE, STRIP GUIDE, SLOTTED	24
-	2	2	-	4-22281-1	SPRING, DRAG	22
-	1	1	-	464451-1	ARM, STOCK DRAG	21
-	1	1	-	1-464452-1	DRAG, STOCK	20
-	1	1	-	454204-2	GUIDE, LOWER STRIP	19
-	1	1	-	1633575-1	GUIDE, LOWER STRIP	18
-	4	4	-	3-21002-3	SCR, BTN SKT HD CAP 1/4-20 X .500	17
-	1	1	-	683875-1	PLATE, DRAG LOCATOR	15
-	1	1	-	1633558-2	REAR SHEAR PLATE	11
-	2	2	-	8-240645-0	SPACER, SHEAR PLATE	10
-	1	1	-	1633557-1	ANVIL, INSULATION	9
-	1	1	-	1633342-2	ANVIL, WIRE	8
-	1	1	-	1633573-1	FORMING TOOL	7
-	1	1	-	1633567-1	BLADE, SHEAR	6
-	1	1	-	3-240641-9	SPACER	5
-	1	1	-	238009-1	BLOCK, FL CRIMPER SPACER	4
-	1	1	-	1633560-1	CRIMPER, INSULATION F	3
-	1	1	-	2-455888-9	SPACER, CRIMPER	2
-	1	1	-	1633581-1	CRIMPER, WIRE PREMIUM	1

THIS DRAWING IS A CONTROLLED DOCUMENT. DIMENSIONING AND TOLERANCING PER ASME Y14.5M-2009.		DWG BY: B. HIGMAN 05APR2007 CHK BY: B. HIGMAN 05APR2007 APVD BY: T. ELBLIN 05APR2007	TE Connectivity
DIMENSIONS: INCHES		TOLERANCES UNLESS OTHERWISE SPECIFIED: 9 PLC ±.01 1 PLC ±.01 2 PLC ±.01 3 PLC ±.001 4 PLC ±.0001 ANGLES ±.0001	NAME: END FEED HDM APPLICATOR PRODUCT SPEC: - APPLICATION SPEC: - SIZE: A100779C-1852447 SCALE: 3:5 SHEET: 1 OF 1 REV: B
MATERIAL: -		WEIGHT: - FINISH: -	CUSTOMER ACCESSIBLE PRODUCTION DRAWING