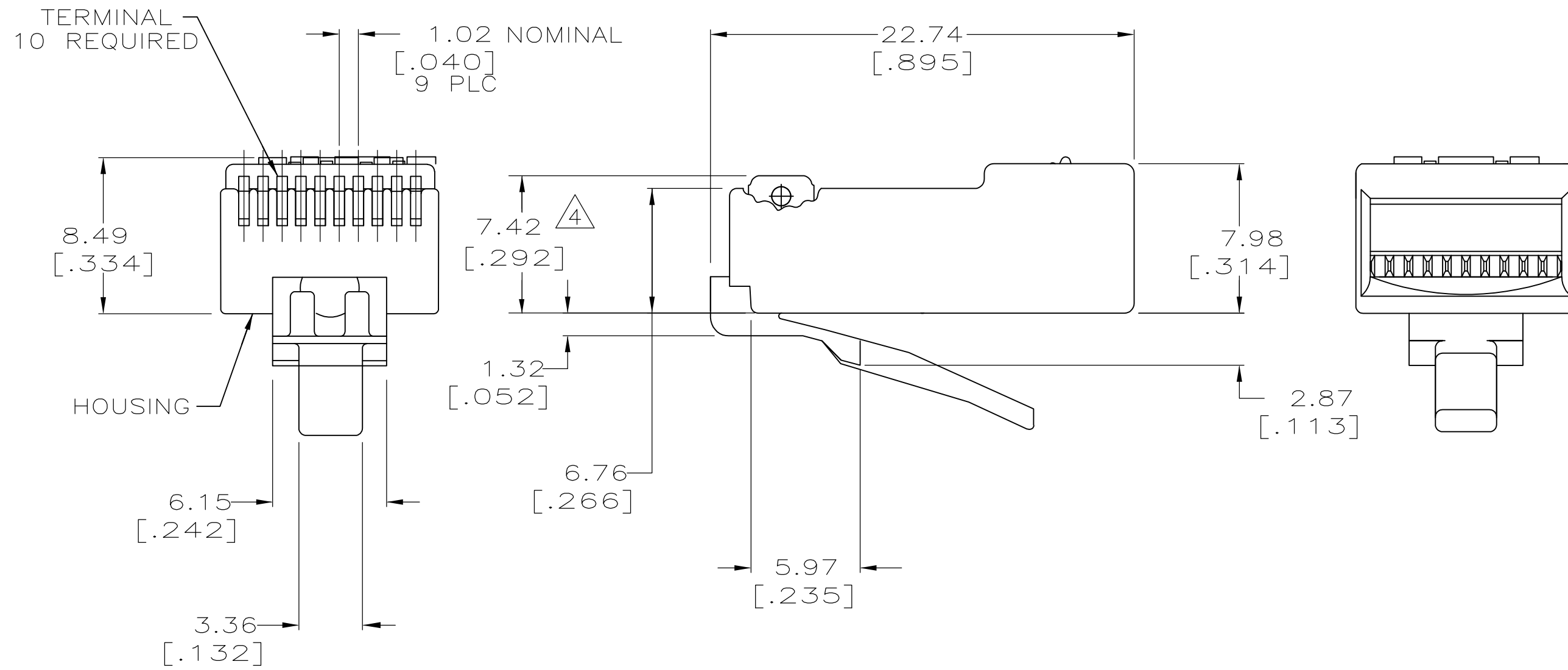
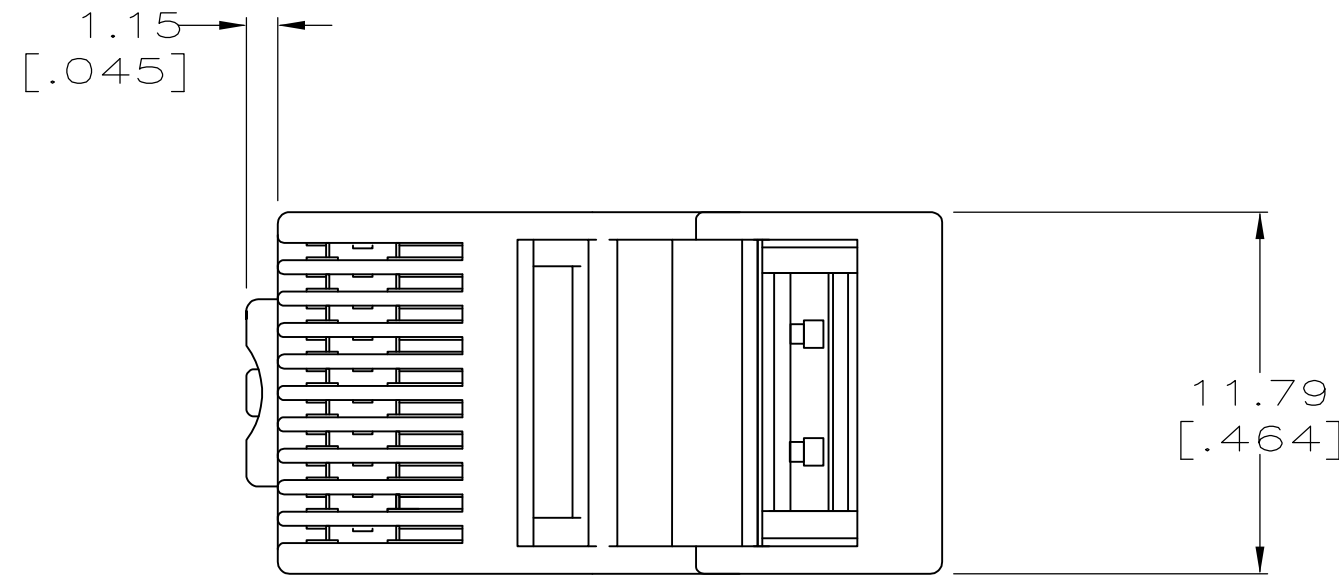


THIS DRAWING IS UNPUBLISHED. RELEASED FOR PUBLICATION
 © COPYRIGHT - By - ALL RIGHTS RESERVED.

LOC		DIST		REVISIONS			
P	LTR	DESCRIPTION		DATE	DWN	APVD	
HM	00	D		REV PER ECO-12-012918	05JUL2012	JM	JG

- ① DIMENSIONS ARE MAXIMUM UNLESS OTHERWISE SPECIFIED.
- ② MATERIAL: HOUSING— POLYCARBONATE, CLEAR
 TERMINAL— PHOSPHOR BRONZE, PLATED WITH 1.27µm [.000050] MINIMUM THICK GOLD IN LOCALIZED GOLD PLATE AREA, OVER 2.54µm [.000100] MINIMUM THICK NICKEL UNDERPLATE.
- 3. PLUG WILL ACCEPT 24 TO 28 AWG STRANDED WIRE, 0.74–0.99 [.029–.039] DIAMETER, WITH A 5.34 [.210] DIAMETER JACKET.
- ④ TERMINATED DIMENSION 6.15 [.242] MAXIMUM.
- ⑤ 500 ASSEMBLIES PER PACKAGE.
- ⑥ 100 ASSEMBLIES PER PACKAGE.



⑥	5-557963-3
⑤	5-557963-2
PACKAGED	PART NUMBER

THIS DRAWING IS A CONTROLLED DOCUMENT.		DWN B. SIMPSON 24-APR-93	TE Connectivity	
DIMENSIONS: mm [INCHES]		CHK C. WHITT 11-MAY-93	NAME	
TOLERANCES UNLESS OTHERWISE SPECIFIED:		APVD M. HAWKINS 14-MAY-93	MODULAR PLUG ASSEMBLY, 10 POSITION, ROUND CABLE, STRANDED WIRE	
0 PLC ± -		PRODUCT SPEC	SIZE	CAGE CODE
1 PLC ± -		108-1163	A2	00779
2 PLC ± -		APPLICATION SPEC	DRAWING NO	RESTRICTED TO
3 PLC ± -		114-6016	C=557963	-
4 PLC ± -		WEIGHT	SCALE	SHEET
ANGLES ± -		-	4:1	1 of 1
FINISH		CUSTOMER DRAWING	REV	D