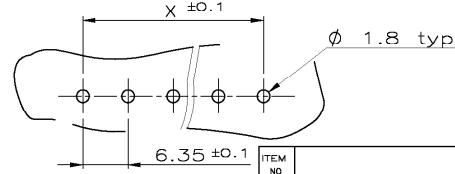
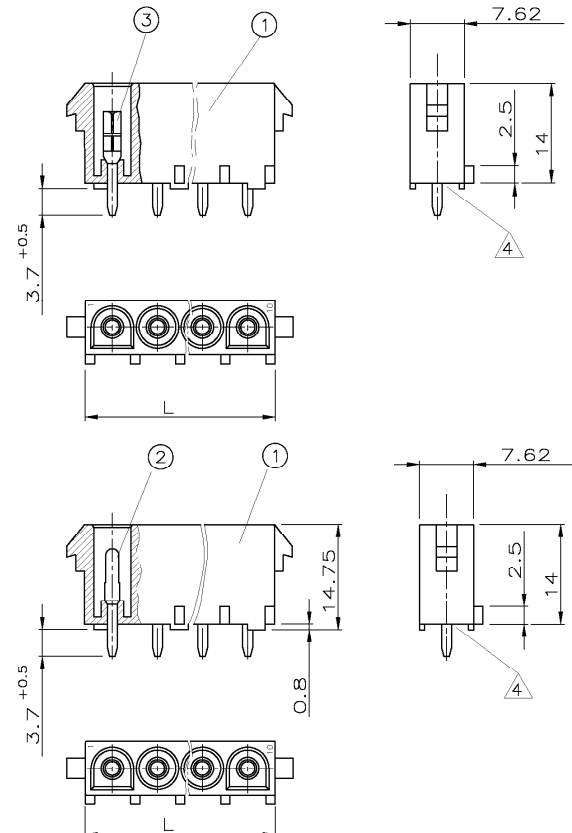


Leiterplatten-LAYOUT

Bestellbeispiel:

- 2-826-839-3 besteht aus:
  - 2-pol. UMNL PC HEADER HSG. (NATURAL)
  - UMNL Stiftkontakt (selectiv vergoldet)

- 3 Nur erste und letzte Kontaktkammer bezeichnet
- 4 Kontaktausdrückkraft größer 20N pro Kontakt



ITEM NO	HOUSING	CONTACT	TYP	UMNL PIN		UMNL SOCKET	
				CuSn nachverzinkt über Ni	CuSn select Gold	CuSn nachverzinkt über Ni	CuSn select Gold
PN	PN	COLOR	DWG SIZE	B	B	B	B
-4 SUPERSEDED BY -3	2 WAY UMNL PC.HEADER 926310	-1 Natural	Replacing 360428-1	1 Replacing 350428-4	1 Replacing 350769-4	1 Replacing 350769-5	
		-2 Black					
		-3 Natural	Replacing 360786-1	3 Replacing 350786-3	3 Replacing 350824-1	3 Replacing 350824-4	
		-4 White					
		-5 Orange	826839	2 826839	826846	2 826846	
		-6 Black					
		-7 Natural					
-4 SUPERSEDED BY -3	3 WAY UMNL PC.HEADER 926311	-1 Natural	Replacing 350429-1	1 Replacing 350429-4	1 Replacing 350769-4	1 Replacing 350769-5	
		-2 Black					
		-3 Natural	Replacing 350789-1	3 Replacing 350789-3	3 Replacing 350825-1	3 Replacing 350825-4	
		-4 White	826840	2 826840	826847	2 826847	
		-5 Orange					
		-6 Black					
		-7 Natural					
-4 SUPERSEDED BY -3	4 WAY UMNL PC.HEADER 926312	-1 Natural	Replacing 350430-1	1 Replacing 350430-4	1 Replacing 350781-4	1 Replacing 350781-5	
		-2 Black					
		-3 Natural	Replacing 350792-1	3 Replacing 350792-3	3 Replacing 350826-1	3 Replacing 350826-4	
		-4 White	826841	2 826841	826848	2 826848	
		-5 Orange					
		-6 Black					
		-7 Natural					
-4 SUPERSEDED BY -3	5 WAY UMNL PC.HEADER 926313	-1 Natural	Replacing 640466-1	1 Replacing 640466-3	1 Replacing 640467-1	1 Replacing 640467-3	
		-2 Black					
		-3 Natural	Replacing 640900-1	3 Replacing 640900-3	3 Replacing 640901-1	3 Replacing 640901-3	
		-4 White	826842	2 826842	826849	2 826849	
		-5 Orange					
		-6 Black					
		-7 Natural					
-4 SUPERSEDED BY -3	6 WAY UMNL PC.HEADER 926314	-1 Natural	Replacing 641831-1	1 Replacing 641831-4	1 Replacing 770262-3	1 Replacing 770262-5	
		-2 Black					
		-3 Natural	826843	2 826843	826850	2 826850	
		-4 White					
		-5 Orange					
		-6 Black					
		-7 Natural					
-4 SUPERSEDED BY -3	8 WAY UMNL PC.HEADER 926315	-1 Natural	Replacing 641828-1	1 Replacing 641828-4	1 Replacing 770263-3	1 Replacing 770263-5	
		-2 Black					
		-3 Natural	Replacing 641828-1	3 826844	826851	3 826851	
		-4 White	826844	2 826844			
		-5 Orange					
		-6 Black					
		-7 Natural					
-4 SUPERSEDED BY -3	10 WAY UMNL PC.HEADER 926316	-1 Natural					
		-2 Black					
		-3 Natural	826845	2 826845	826852	2 826852	
		-4 White					
		-5 Orange					
		-6 Black					
		-7 Natural					

- NEUES MATERIAL (PHOSPHOR UND HALOGEN FREI) AUSSEHEN:WEISS
- MATERIAL ZYTEL E 103 HSL
- MATERIAL PA 6 UL 94 V2
- BULK PACKAGING IN PLASTIC BAG & CORRUGATED SHIPPING BOX PN 973058-3
- GWT 750° (WITHOUT FLAME) ACC.IEC 60335-1 EDITION 06/2001
- PN 826845-3 IS USING PIN PN 770528-1 & PN 826852-3 IS USING SOCKET PN 350574-4

926 302	57.15	64.77	10
926 301,640 582,640 586	44.45	52.07	8
936 309,640 581,640 585	31.75	39.37	6
926 299,350 809,480 763	25.40	33.02	5
926 298,350 779,480 702	19.05	26.67	4
350 766,480 700	12.70	20.32	3
350 777,480 698	6.35	13.97	2
Passend zu Steckergehäuse	"X"	"L"	Polzahl

ZEICHNUNG GÜLTIG AB 01./96.

**STE** TE Connectivity

BENENNUNG UMNL IN-LINE PC.HEADER ASSY **K**

BESTELL-NR.	POS.	STÜCK	BENENNUNG EINZELTEIL	WERKSTOFF	OBERFLÄCHE FARBE	NICHT TOLERIERTE MASSE ± 0.2mm ± 1.5°	FORMAT A2	ZEICHNUNGS-NR. C-826839
			GEZ. H.Oehme	GEPR. -		MASSTAB 2:1(5:1)	BLATT 1 VON 1	REV. M14