

PT. NO.	PARTS NAME	CAT. NO.	MATERIAL	Q'TY	NOTE
1	REEL	—	POLYSTYRENE	1	—
2	PLASTIC (EMBOSS) TAPE	—	PET RESIN OR PP RESIN	—	COLOR : TRANSPARENCY
3	COVER	—	POLYESTER	—	COLOR : TRANSPARENCY
4	CONNECTOR	BTFW_R-3RBTALF	SEE ATTACHED DWG.	700	

DIMENSIONS

CATALOG NUMBER	NO. OF CONTACT(ONLY EVEN POS.)	A	B	C
BTFW10~14R-3RBTAE4LF	10~14	37.5	32	28.4
BTFW16~24R-3RBTAE4LF	16~24	49.5	44	40.4
BTFW26~30R-3RBTAE4LF	26~30	61.5	56	52.4

- NOTES
1. THIS IS PLASTIC TAPE PACKAGED CONNECTOR USED FOR BOARD TO BOARD COPER WITH AUTOMATIC MOUNTING (SMT).
 2. SEE JIS C 0806 (PACKING OF ELECTRONIC COMPONENTS ON CONTINUOUS TAPES (SURFACE MOUNTING DEVICES)) FOR SHAPE AND DIMENSIONS OF PLASTIC (EMBOSS) TAPE AND REEL.
 3. THIS DIMENSION IS PORTION OF THE CORE.

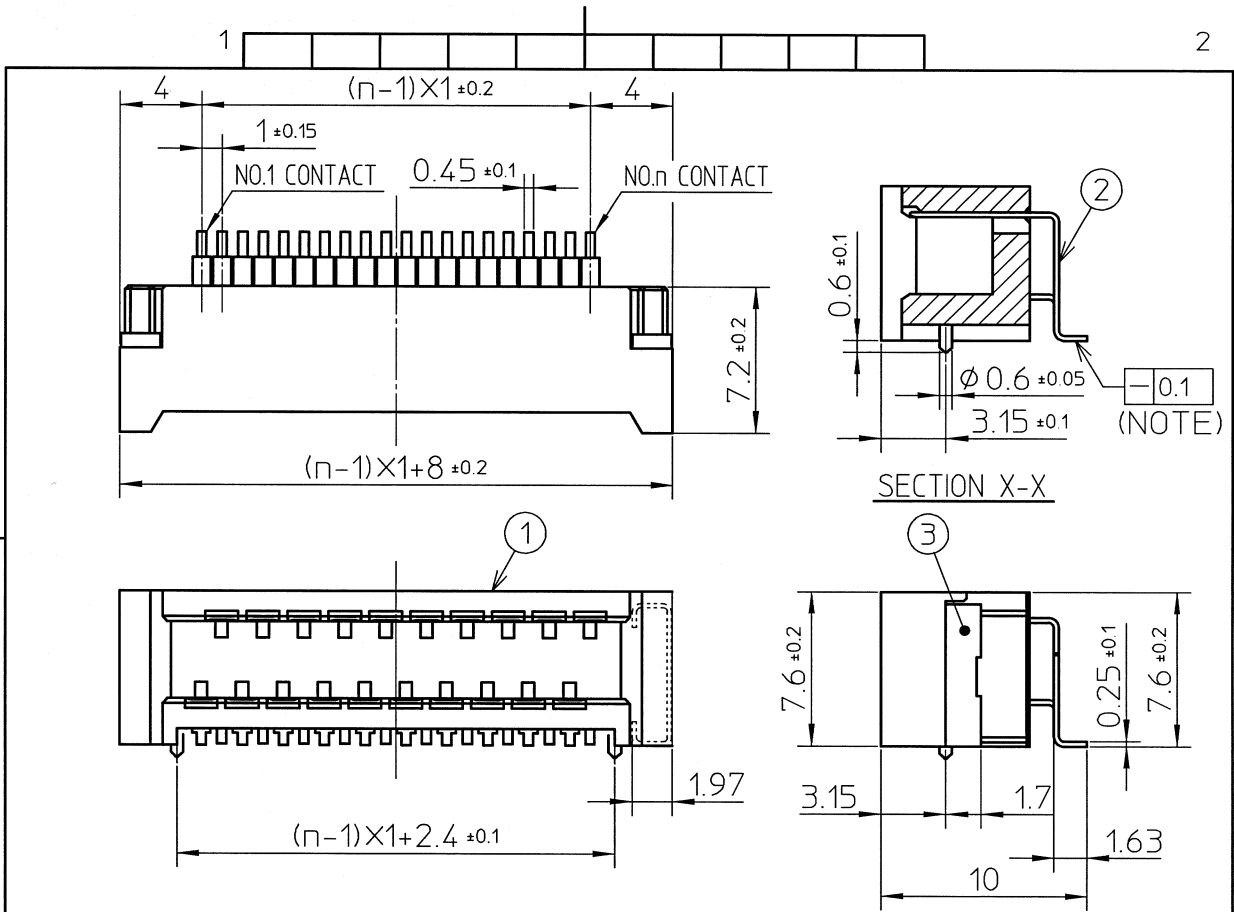
mat'l. code		surface ISO 1302 ✓		tolerance ISO 406 ISO 1101		projection		product family 590F	
ltr	ecn no	dr	date	tolerances unless otherwise specified				title PLASTIC TAPE PACKAGED BOARD TO BOARD RECEPTACLE CONNECTOR (GOLD PLATING, LEAD FREE AND PLASTIC REEL) (CAT.No.BTFW__R-3RBTAE4LF)	
A	J08-0124	M.K	Mar.18,'08	angles	linear	± 5		scale	
				± 5°				dwg no JSA 97397 sheet 1 of 1 size A4	
		dr	M.Koga	Mar.18,'08			FCJ		type Product Customer Drawing
		enr	M.Koga	Mar.18,'08					
		chr	K.Higuchi	Mar.18,'08					
		appd	M.Koga	Mar.18,'08					
sheet index	revision sheet								Rev A



FCconnect.com

Copyright FCJ

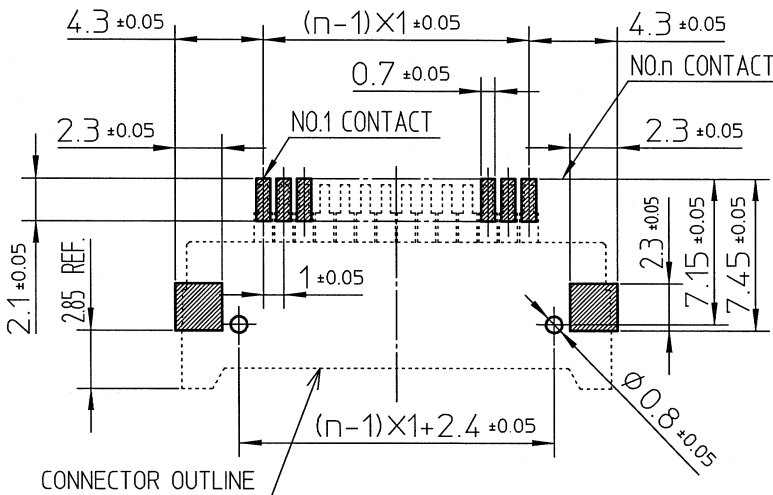




PT. NO.	PARTS NAME	MATERIAL	Q'TY	NOTE
1	HOUSING	GLASS FILLED THERMOPLASTIC RATED.(UL94V-0)	1	COLOR:BRACK
2	CONTACT	BRASS	n	PLATING CONTACT AREA:GOLD OVER NICKL TERMINAL AREA:TIN (LEAD FREE)
3	MOUNTING PLATE	BRASS	2	PLATING:TIN (LEAD FREE)

RECOMMENDED PC BOARD LAYOUT
(COMPONENT SIDE)

n:NO. OF CONTACTS
(10 TO 30 , ONLY EVEN POS.)



NOTE

- 1.Flatness for contact terminal and mounting plate must be within 0.1.
- 2.This product meets European Union Directives and other country regulations as described in GS-22-008.

mat'l. code		surface ISO 1302 ✓		tolerance ISO 406 ISO 1101		projection ⊕		product family 590F	
ltr	ecn no	dr	date	tolerances unless otherwise specified		title FLOATING BOARD TO BOARD RECEPTACLE CONNECTOR (GOLD PLATING AND LEAD FREE) (CAT.No.BTFW__R-3RBOTALF)			
A	J07-0021	M.K	Jan.25,'07	angles	linear	±0.3	scale		sheet 1 of 1
B	J08-0124	M.K	Mar.17,'08				size A4		
		dr	K.Higuchi	Mar.17,'08			dwg no		type Product Customer Drawing
		engr	M.Koga	Mar.17,'08			sheet 1 of 1		
		chr	K.Higuchi	Mar.17,'08			JSA 97226		
		appd	M.Koga	Mar.17,'08			Rev		
sheet index	revision sheet								B