

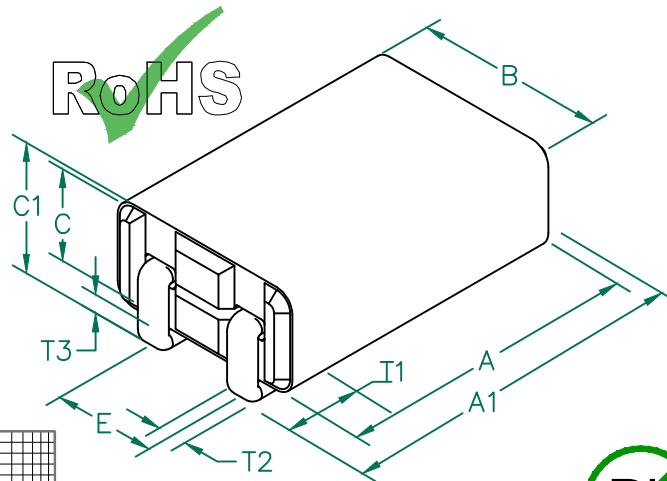
**PHYSICAL DIMENSIONS:**

|    |               |                 |
|----|---------------|-----------------|
| A  | 8.68 [ .342 ] | ± 0.25 [ .010 ] |
| A1 | 9.55 [ .376 ] | MAX             |
| B  | 5.60 [ .220 ] | ± 0.10 [ .004 ] |
| C  | 2.85 [ .112 ] | ± 0.07 [ .003 ] |
| C1 | 3.80 [ .150 ] | ± MAX.          |
| E  | 2.84 [ .112 ] | ± 0.10 [ .004 ] |

**WIRE DIMENSIONS:**

|    |               |                 |
|----|---------------|-----------------|
| T1 | 1.75 [ .069 ] | ± 0.25 [ .010 ] |
| T2 | 0.81 [ .032 ] | REF.            |
| T3 | 0.43 [ .017 ] | REF.            |

# CM3421Y600R-10



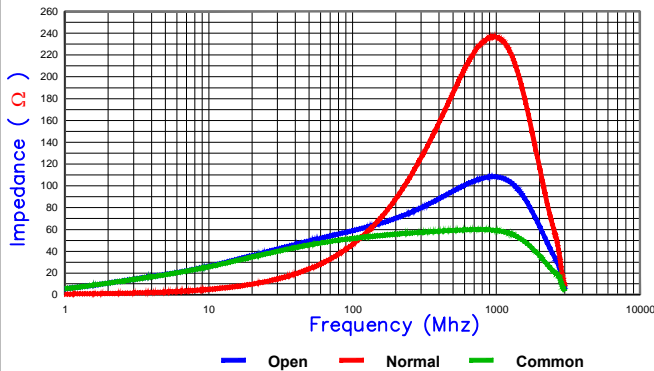
**ELECTRICAL CHARACTERISTICS:**

|             | Z in (Ω)<br>@ 100 MHz | IR (MΩ)<br>@ 500Vdc | DCR<br>(Ω) | Rated Current<br>(Continuous) | Rated Voltage<br>(VDC) |
|-------------|-----------------------|---------------------|------------|-------------------------------|------------------------|
| Nom. (Ref.) | 60                    |                     |            |                               |                        |
| Min.        | 45                    | 100                 |            |                               |                        |
| Max.        | -                     |                     | .00075     | 15,000 mA                     | 140                    |

NOTES: UNLESS OTHERWISE SPECIFIED

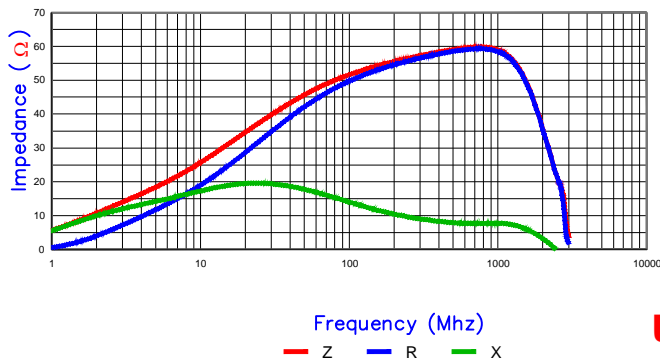
1. TAPED AND REELED per CURRENT EIA SPECS. 13" REELS, 2000 PCS PER REEL
2. COMPONENTS SHOULD BE ADEQUATELY PREHEATED BEFORE SOLDERING.
3. REF.CARRIER TAPE SPECIFICATION CART3421-1P.
4. THIS PART HAS NO PIN POLARITY.
5. TERMINATION FINISH IS 100% TIN.
6. OPERATION TEMPERATURE (INCLUDING SELF-HEATING): -40 ~ +125°C.
7. PART MUST BE HALOGEN-FREE.

Z vs. Frequency ( C, N, O)



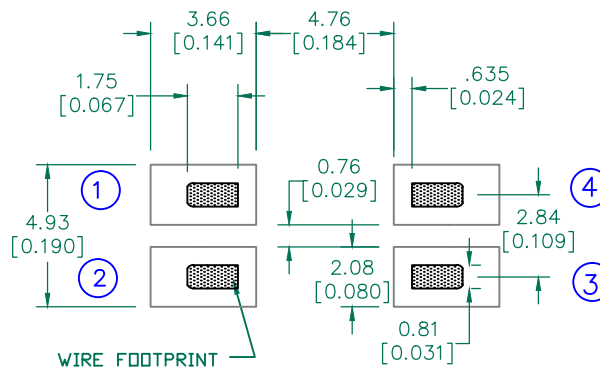
— Open — Normal — Common

Z, R, X vs. Frequency COMMON MODE



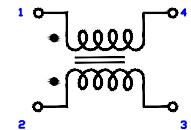
— Z — R — X

**LAND PATTERNS FOR REFLOW SOLDERING**

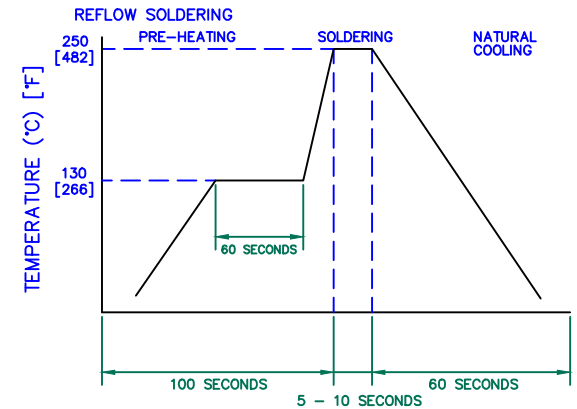


WIRE FOOTPRINT

**EQUIVALENT CIRCUIT NO POLARITY**



**RECOMMENDED SOLDERING CONDITIONS**



**UNCONTROLLED DOCUMENT**

| DIMENSIONS ARE IN mm [INCHES]. |                                      |          |     | This print is the property of Laird Tech. and is loaned in confidence subject to return upon request and with the understanding that no copies shall be made without the written consent of Laird Tech. All rights to design or invention are reserved. |                    |
|--------------------------------|--------------------------------------|----------|-----|---------------------------------------------------------------------------------------------------------------------------------------------------------------------------------------------------------------------------------------------------------|--------------------|
| J                              | ADD IR & RATED VOLTAGE & NOTE 6&7    | 07/22/14 | QIU | REV                                                                                                                                                                                                                                                     | J                  |
| H                              | UPDATE NOTES 1 & 2                   | 09/08/09 | JRK | PART TYPE:                                                                                                                                                                                                                                              | ASSEMBLY           |
| G                              | UPDATE COMPANY LOGO                  | 03/02/09 | JRK | PROJECT/PART NUMBER:                                                                                                                                                                                                                                    | CM3421Y600R-10     |
| F                              | UPDATE COMPANY LOGO                  | 11/28/07 | JRK | DATE:                                                                                                                                                                                                                                                   | 07/27/05           |
| E                              | INTERCHANGE DIMENSIONS A,B&C         | 03/30/06 | JRK | SCALE:                                                                                                                                                                                                                                                  | 7 : 1              |
| D                              | ADD EQUIVALENT CIRCUIT, REFLOW CHART | 02/02/06 | JRK | SHEET:                                                                                                                                                                                                                                                  | 1 of 2             |
| REV                            | DESCRIPTION                          | DATE     | INT | GAD #                                                                                                                                                                                                                                                   | CM3421Y600R-10-J-1 |
|                                |                                      |          |     | TOOL #                                                                                                                                                                                                                                                  | H0220              |

