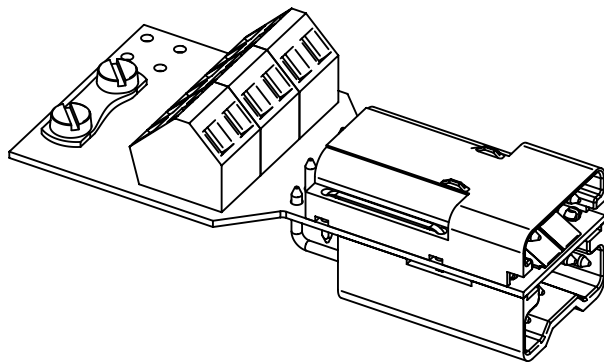
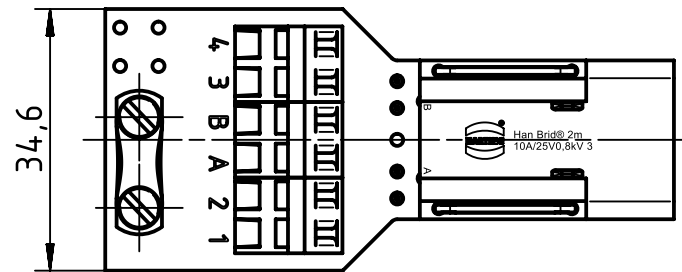


countersunk screw
M3x6 enclosed



	All Dimensions in mm Original Size DIN A4	Scale 1:1		Free size tol.		Ref.	
						Sub. TB 09 12 006 2695 v. 20.03.09	
	All rights reserved Department EL PD - DE	Created by SPRENB	Inspected by SCHNIEDER	Standardisation TIEMANNA	Date 2013-06-26	State Final Release	
		Title Han Brid-Wanddurchfuehrung + Cu-Bus M-c					Doc-Key / ECM-Nr. 100132580/UGD/005/A 500000063341
HARTING Electric GmbH & Co. KG D-32339 Espelkamp		Type TB	Number 09 12 006 2695			Rev. A	Page 1/1