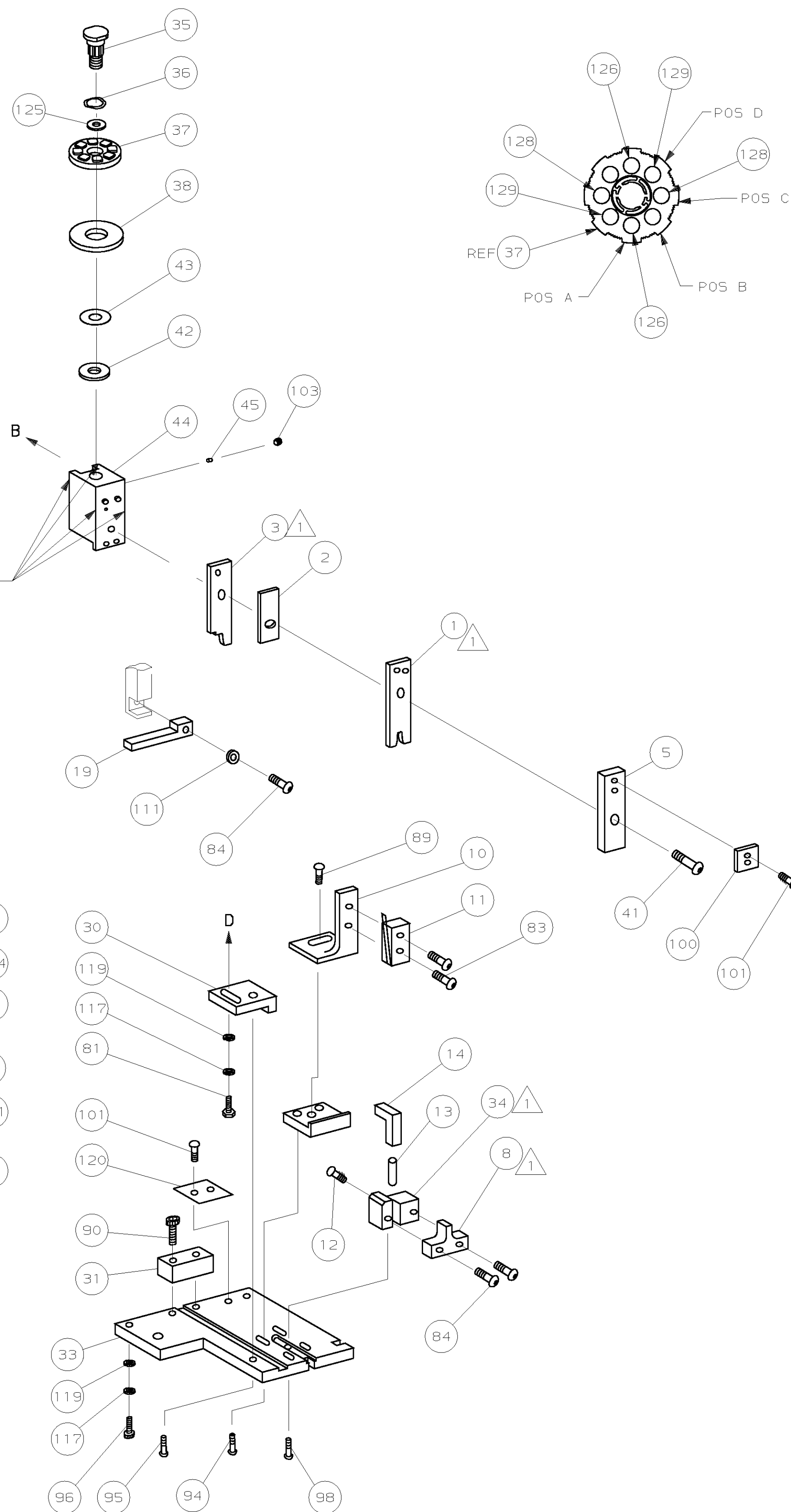


PART NUMBER	REV	FIRST USED
567939-1	A	854040-3

TERMINAL NAME: BLADE		286615	VISIBLE	CRIMPING DATA	
WIRE STRIP LENGTH	TERM APPL SPEC	FEED	APPL INSTRUCTION	SET UP GAGE	LAYOUT
.141 - .172	NONE	.250	SEE CUSTOMER MANUAL	NONE	NONE

CRIMP	SIZE	TYPE	RANGE
A	.069 ±.002 [1.75 ±0.05mm]		18
B	.075 ±.002 [1.90 ±0.05mm]		16
C	.084 ±.002 [2.13 ±0.05mm]		14
D	NOT		USED

QTY	REQD PER ASSY	U/M	DWG SIZE	PART NO	DESCRIPTION	ITEM NO
70						
69						
68						
67						
66						
65						
64						
63						
62						
61						
60						
59						
58						
57						
56						
55						
54						
53						
52						
51						
50						
49						
48						
47						
46						
45						
44						
43						
42						
41						
40						
39						
38						
37						
36						
35						
34						
33						
32						
31						
30						
29						
28						
27						
26						
25						
24						
23						
22						
21						
20						
19						
18						
17						
16						
15						
14						
13						
12						
11						
10						
9						
8						
7						
6						
5						
4						
3						
2						
1						



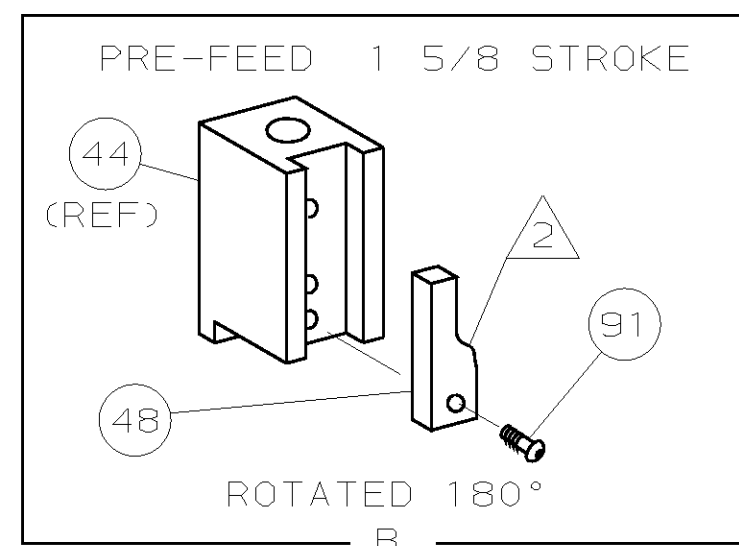
QTY	REQD PER ASSY	U/M	DWG SIZE	PART NO	DESCRIPTION	ITEM NO
2	2	-	C	7-354778-1	PIN, WIRE DISC (.2850) D	129
2	2	-	C	8-354778-3	PIN, WIRE DISC (.2910) C	128
						127
2	2	-	C	5-354778-3	PIN, WIRE DISC (.2760) A	126
1	1	-	A	986950-1	WASHER, FLAT PRECISION	125
1	1	-	A	217238-3	GENERAL INSTRUCTION PACKAGE	124
						123
						122
1	1	-	A	4-21028-0	PIN, SLT SPR (ø.093x.75) ST GDE PL	121
1	1	-	B	690701-2	PLATE, SERIAL NO.	120
2	2	-	A	21899-2	WASHER, FLAT (#10) S G ADJ BLK	119
						118
2	2	-	A	21024-5	WASHER, LOCK (#10) ADJ BLOCK	117
						116
						115
2	2	-	A	21024-2	WASHER, LOCK (#4) FRONT STP GUIDE	114
REF	REF	-	A	21024-4	WASHER, LOCK (#8) FEED FINGER	113
2	2	-	A	21024-4	WASHER, LOCK (#8) DEP-HOLD	112
REF	REF	-	A	21024-4	WASHER, LOCK (#8) STRIPPER	111
						110
						109
1	1	-	A	21018-5	NUT, HEX (#6) HOLD DOWN	108
						107
						106
						105
1	1	-	A	21009-2	SCR, 5KT 5ET (1/4-20x.25 LW) RAM	104
						103
						102
4	4	-	A	21017-2	SCR, DRIVE (#2x.19) ID PLATE	101
1	1	-	B	819347-1	PLATE, IDENTIFICATION	100
2	2	-	A	3-21002-0	SCR, BHC (10-32x.88) DRAG	99
1	1	-	A	22733-8	SCR, BHC (8-32x.38 LW) ANVIL	98
						97
1	1	-	A	3-21000-8	SCR, SHC (10-32x.88) MOUNTING	96
1	1	-	A	2-21002-7	SCR, BHC (10-32x.50) S G ADJ BLK	95
2	2	-	A	2-21002-2	SCR, BHC (8-32x.50) SHEAR-TERM SUP	94
						93
						92
1	1	-	A	1-21002-7	SCR, SHC (6-32x.50) CAM	91
6	6	-	A	2-21000-7	SCR, SHC (8-32x.50) SCR BLK	90
1	1	-	A	1-21002-6	SCR, BHC (6-32x.25) BRACKET	89
						88
						87
REF	REF	-	A	2-22603-0	SCR, HEX HD (8-32x.31) FEED FINGER	86
2	2	-	A	1-21000-5	SCR, SHC (4-40x.25) F ST GUIDE	85
REF	REF	-	A	22733-9	SCR, BHC (8-32x.50 SL) STRIPPER	84
2	2	-	A	1-21000-1	SCR, SHC (2-56) X.38 SWITCH	83
						82
1	1	-	A	3-22603-1	SCR, HEX (10-32x.38) S G ADJ BL	81
						80
						79
						78
2	2	-	B	463310-3	BLADE, STRIPPING (#16)	77
1	1	-	C	1213119-1	BAR, STABILIZER	76
1	1	-	C	1213119-2	BAR, STABILIZER	75
1	1	-	B	904900-1	CAP, RAM	74
1	1	-	D	854853-2	GUARD, DOOR	73
						72
						71

QTY	REQD PER ASSY	U/M	DWG SIZE	PART NO	DESCRIPTION	ITEM NO
2	2	-	B	463310-3	BLADE, STRIPPING (#16)	77
1	1	-	C	1213119-1	BAR, STABILIZER	76
1	1	-	C	1213119-2	BAR, STABILIZER	75
1	1	-	B	904900-1	CAP, RAM	74
1	1	-	D	854853-2	GUARD, DOOR	73

QTY	REQD PER ASSY	U/M	DWG SIZE	PART NO	DESCRIPTION	ITEM NO
2	2	-	B	463310-3	BLADE, STRIPPING (#16)	77
1	1	-	C	1213119-1	BAR, STABILIZER	76
1	1	-	C	1213119-2	BAR, STABILIZER	75
1	1	-	B	904900-1	CAP, RAM	74
1	1	-	D	854853-2	GUARD, DOOR	73

THIS DRAWING IS A CONTROLLED DOCUMENT.

13-SEP-2001  
 RELEASED FOR PUBLICATION  
 BY AMP INCORPORATED. ALL RIGHTS RESERVED.  
 13-SEP-2001  
 THIS DRAWING IS UNCLASSIFIED  
 COPYRIGHT 2001  
 LOC A  
 DTST 66



- 1 RECOMMENDED SPARE PARTS.
- 2 GREASE LIGHTLY.
- 3 ITEM NOT SHOWN

QTY	REQD PER ASSY	U/M	DWG SIZE	PART NO	DESCRIPTION	ITEM NO
2	2	-	C	1-462615-0	STRIPPER	20
1	1	-	C	1-462615-0	STRIPPER	19
						18
						17
						16
						15
1	1	-	B	1213159-1	SUPPORT, TERMINAL	14
1	1	-	A	2-22278-6	SPRING, COMPRESSION	13
1	1	-	A	690461-2	STOP, SHEAR	12
1	-	-	A	-	SWITCH	11
1	-	-	B	904893-1	BRACKET, SWITCH	10
1	-	-	B	904892-1	MOUNT, BRACKET	9
1	1	-	C	904896-1	ANVIL	8
						7
						6
1	1	-	A	462838-1	DEPRESSOR, SHEAR (FRONT) SP	5
						4
1	1	-	C	904895-1	SHEAR, UPPER	3
1	1	-	C	2-455888-7	SPACER, CRIMPER	2
1	1	-	C	2-456408-0	CRIMPER, WIRE	1

QTY	REQD PER ASSY	U/M	DWG SIZE	PART NO	DESCRIPTION	ITEM NO
2	2	-	C	1-462615-0	STRIPPER	20
1	1	-	C	1-462615-0	STRIPPER	19
						18
						17
						16
						15
1	1	-	B	1213159-1	SUPPORT, TERMINAL	14
1	1	-	A	2-22278-6	SPRING, COMPRESSION	13
1	1	-	A	690461-2	STOP, SHEAR	12
1	-	-	A	-	SWITCH	11
1	-	-	B	904893-1	BRACKET, SWITCH	10
1	-	-	B	904892-1	MOUNT, BRACKET	9
1	1	-	C	904896-1	ANVIL	8
						7
						6
1	1	-	A	462838-1	DEPRESSOR, SHEAR (FRONT) SP	5
						4
1	1	-	C	904895-1	SHEAR, UPPER	3
1	1	-	C	2-455888-7	SPACER, CRIMPER	2
1	1	-	C	2-456408-0	CRIMPER, WIRE	1

QTY	REQD PER ASSY	U/M	DWG SIZE	PART NO	DESCRIPTION	ITEM NO
2	2	-	C	1-462615-0	STRIPPER	20
1	1	-	C	1-462615-0	STRIPPER	19
						18
						17
						16
						15
1	1	-	B	1213159-1	SUPPORT, TERMINAL	14
1	1	-	A	2-22278-6	SPRING, COMPRESSION	13