



Features:

The CPW 1.5B is a regulated 1.5 amp power supply that accepts 24 VDC/VAC and provides an adjustable 1.5 to 24 VDC output. Field voltage adjustments may be made using only a screwdriver. The power supply is provided with a mounting track for easy installation.

- ◇ Low Cost
- ◇ Regulated DC output
- ◇ Snap-track mounted
- ◇ Screw terminals with pressure plates

Output Current:

To prevent overheating the CPW 1.5B power supply, the output current must not exceed the ratio of the output voltage to the input voltage times the rated current.

Example:

For an output voltage set to 5VDC, the output current should not exceed 313 mA

$$\frac{5V}{24V} \times 1.5A = 0.313A$$

ISOLATION:

If the DC ground is connected to the AC ground, the fuse will open.

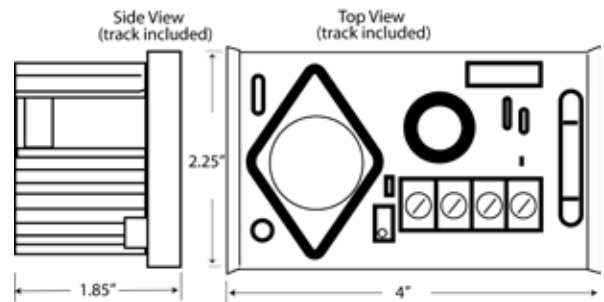
If the AC and DC circuit grounds cannot be isolated, move the shorting jumper from J1 to J2, and add a shorting jumper to J3.

In this case the maximum output current is reduced to 400mA.

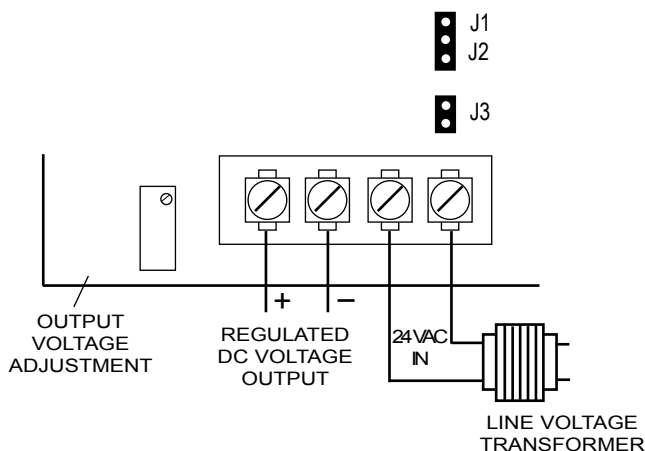
Specifications:

Voltage:	Input :	24 VAC, 50/60 Hz
	Output:	24 VDC (full wave rectified and regulated) adjustable 1.5 V - 27 VDC
Output Current:		1.5 amps (with 75 VA transformer)
Temperature Stability:		1%
Over-current Protection:		3 amp fuse
Environment:	Operating Temperature:	0 to 55°C (32° to 130°F)
	Max. Humidity:	95% RH, noncondensing
Weight:		0.4 lb.
Mounting:		snap-track included

Dimensions:



Wiring:



Ordering Information:

PART NUMBER

CPW1.5B 24V AC to adjustable DC output
 CPTR40VA 120/24Vac 40VA Transformer