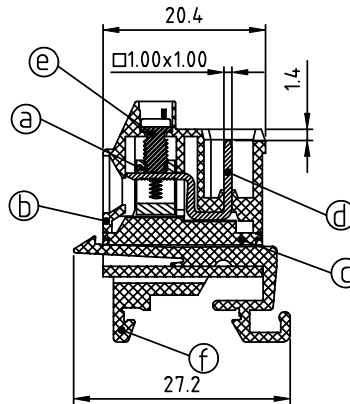
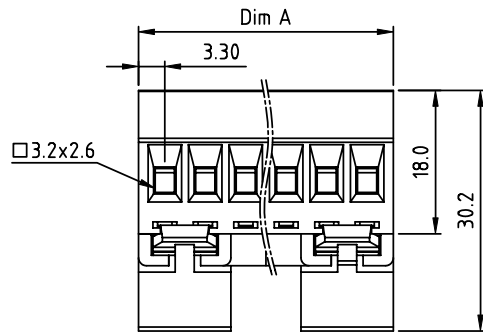
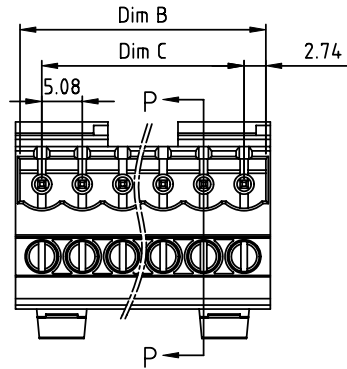


PRODUCT NUMBER	PITCH
V5xx51x200J0G	5.08 mm



SECTION P-P

DIMENSION

Dim A	Nx5.08+1.52
Dim B	(N-1)x5.08+5.48
Dim C	(N-1)x5.08

N=Number of poles

Poles	Tolerance
2P-6P	±0.20
7P-12P	±0.25
13P-18P	±0.30
19P-24P	±0.40

PART NO.: V5 xx 51 x 2 00J0 G

	Color	RoHS compliant (lead<4%) In copper Alloy
Solid block	0 Black (RAL9005)	
No. of poles	2 Red (RAL3001/D)	
02 2 poles	3 Orange(RAL2011/P)	
03 3 poles	4 Yellow(RAL1018/A)	
...	5 Green(RAL6018/T)	
24 24 poles	6 Blue (RAL5015/A)	
	8 Grey(RAL7035/D)	
	9 White(RAL1102)	
	C Green(RAL6018/U)	

Material:

- Item ㉑ Clamp: Brass Ni plated
- Item ㉒ Terminal(housing): Thermoplastic (UL94V-0)
- Item ㉓ Terminal(cover): Thermoplastic (UL94V-0)
- Item ㉔ Pin: Brass, Tin plated.
- Item ㉕ Terminal screw: Steel Zinc plating solt "-"type M3
- Item ㉖ Terminal(track): Thermoplastic (UL94V-0)

Electrical:

- Voltage rating:300V
- Current rating: 12A
- Wire range:
- Solid wire(AWG):12-30
- Stranded wire(AWG):12-30
- Torque(Lb-In): 4.4
- Screw:M3
- Wire strip length: 6-7 mm
- Withstanding Voltage: 1.6KV
- Operating temperature: -40°C to +115°C
- Safety Approval:

mat'l. code		surface ASME Y14.5	tolerance ASME Y14.5	projection 	product family TERMINAL BLOCK
ltr	ecn no	dr	date		title TERMINAL BLOCK
				tolerances unless otherwise specified	scale PLUGGABLE PLUG, DINRAIL MOUNTING, A TYPE
				angles 	MM
				X±1"	X.X±0.5
				X.XX±0.3	scale
				X.XX±0.1	scale
				dr	EVIN ZHONG 050414
				enr	EVIN ZHONG 050414
				chr	HANKE FENG 050414
				appd	SHI JUN 050414
sheet index	revision	A			dwg no V5xx51x200J0G
	sheet	1			sheet 1 of 1
				size A4	type CUSTOMER Drawing