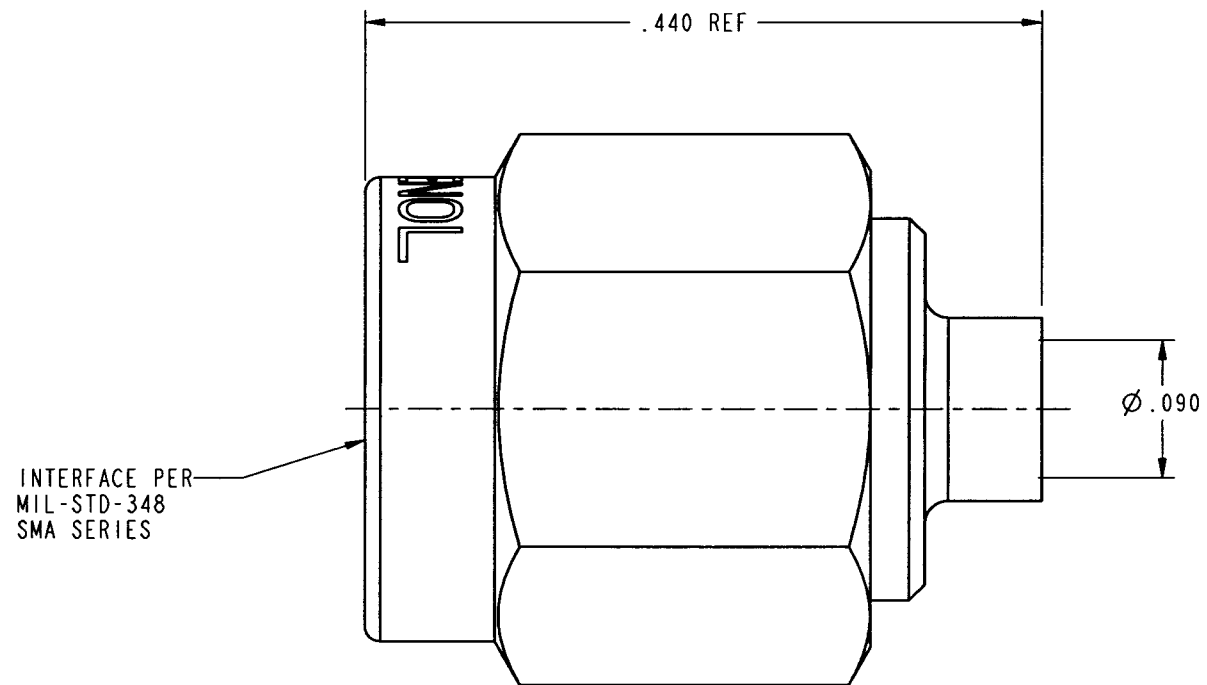
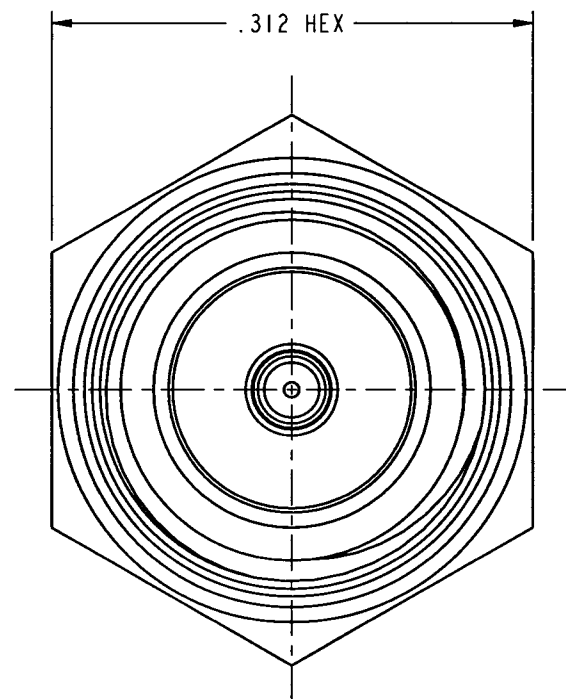


NOTES:

- MATERIAL AND FINISH:  
 BODY: STAINLESS STEEL, GOLD PLATED  
 CONTACT: BERYLLIUM COPPER, GOLD PLATED  
 INSULATOR: PTFE  
 GASKET: SILICONE RUBBER  
 COUPLING NUT: STAINLESS STEEL, PASSIVATED
- FOR ASSEMBLY INSTRUCTIONS SEE AMPHENOL SPEC 349-50114, SHEET 22.

901-9201-2ASF		REVISIONS			
DRAWING NO.	REV	DESCRIPTION	DATE	ECO	APPR
THIRD ANGLE PROJ.	A	RELEASE TO MFG.	11/17/76	24871	SP
	H	SEE SHEET 1	4/25/00	43329	PB/TA



UNLESS OTHERWISE SPECIFIED, DIMENSIONS ARE IN INCHES AND TOLERANCES ARE:  
 2 PLACE DECIMAL      3 PLACE DECIMAL      ANGLES  
 ±.015 (0,381 mm)      ±.005 (0,127 mm)      ± 1°

NOTICE - These drawings, specifications, or other data (1) are, and remain the property of Amphenol Corp. (2) must be returned upon request; and (3) are confidential and not to be disclosed to any person other than those to whom they are given by Amphenol Corp. The furnishing of these drawings, specifications, or other data by Amphenol Corp., or to any other person to anyone for any purpose is not to be regarded by implication or otherwise in any manner licensing, granting rights or permitting such holder or any other person to manufacture, use or sell any product, process or design, patented or otherwise, that may in any way be related to or disclosed by said drawings, specifications, or other data.

MATERIAL

REFERENCE  
 EAR 102-967448 0  
 GEN# ASSYM17\_SMA  
 DOR 42-901-315350

DRAWN P. BRENZEL      DATE 13-Apr-00  
 ENGINEER P. BRENZEL      DATE 13-Apr-00  
 APPROVED      DATE 4/16/00  
 CAD FILE H:\SMA\901-9201-2ASF

TITLE  
 SMA PLUG FOR  
 .085 SEMI-RIGID  
 CABLE

CODE ID 74868      DWG SIZE B      DRAWING NO. 901-9201-2ASF

**Amphenol**  
 Amphenol Corporation  
 Communication and Network  
 Products Division  
 Danbury, CT U.S.A. 06810

SCALE: 8.0:1      SHEET 2 OF 2

REV H