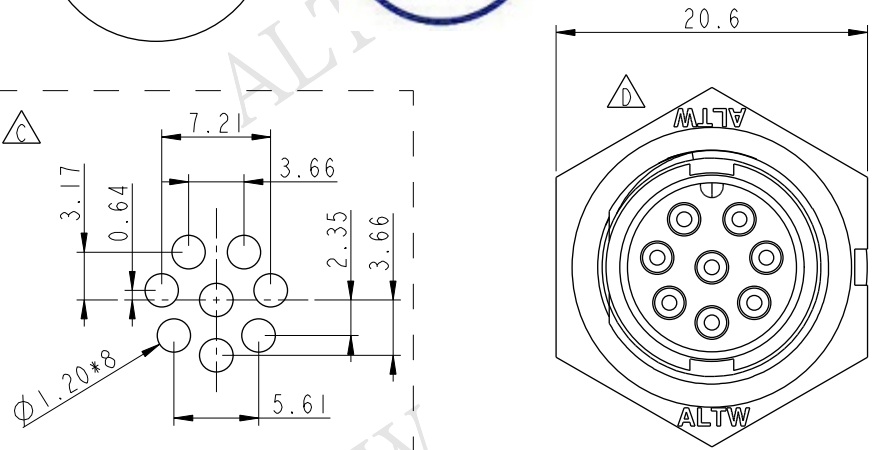


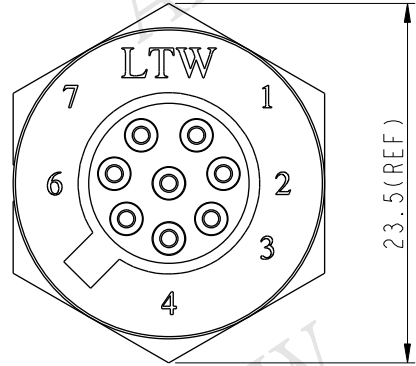
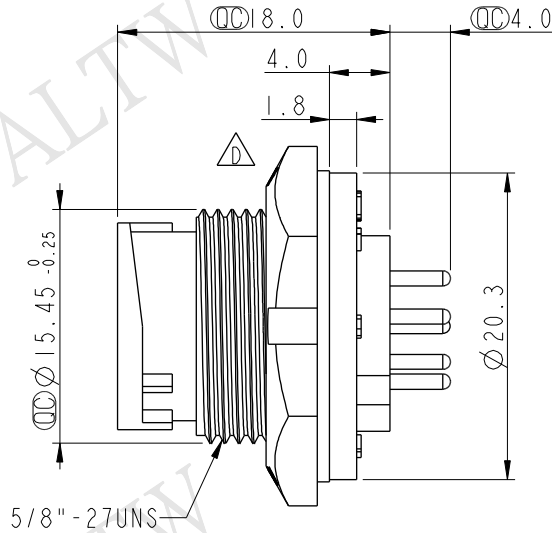
REV.	ECN NO.	DATE	SIGN	DESCRIPTION
B	LEN-8B0402	2008/09/17	Shin	Add Note
C	LEN12B0049	2012/11/09	Sam	Modify PCB Layout.
D	LEN1470083	2014/07/03	Jason.Yu	Change Nut Logo

ALTW
CONFIDENTIAL
 2014-07-03
 R&D DEPT.

ALTW
 DCC. DEPT.
 CONFIDENTIAL
 2014.07.10
 ISSUED

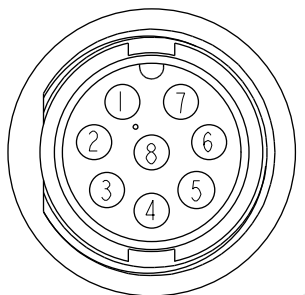


8 Pin Male Connector
 Male Pin PCB Layout

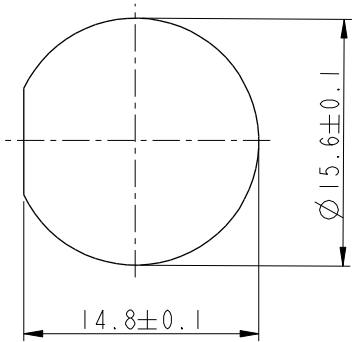


Note:

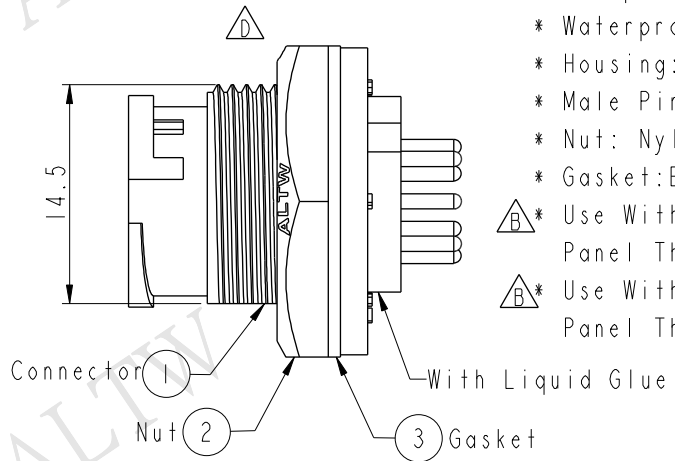
- * CC Important Dimension To Check.
- * Waterproof Rate: IP67
- * Housing: Nylon+GF, Black
- * Male Pin: Copper Alloy, Gold Plated
- * Nut: Nylon+GF, Black
- * Gasket: EPDM, Black
- $\triangle B^*$ Use With Waterproof Cap Or Dust Cap
 Panel Thickness Max: 3.0mm
- $\triangle B^*$ Use Without Waterproof Cap Or Dust Cap
 Panel Thickness Max: 4.5mm



Pin Assignments
 Front View



Recommended Panel Cut-out



UNIT:mm	
TOLERANCE	
.X	±0.25
.XX	±0.1
.XXX	±0.05
ANGLES	±1°

TITLE Standard Panel Lock 8Pin M Conn M Pin			
SCALE 2:1	SIZE A4	SHEET 1 OF 1	
REV. D	WC-REV. B.2	CC : Inspection item	

Amphenol LTW
 安費諾亮泰企業股份有限公司

ITEM NO. BD-08PMMP-LC7001	DRAWN BY Jason.Yu	DATE 2014-07-03
DWG NO. BD-08PMMP-LC7001	CHECKED BY Kris	DATE 2014-07-03
CUSTOMER ALTW	APPROVED BY WenMao	DATE 2014-07-03

THIS DOCUMENT IS SUBJECT TO CHANGE WITHOUT NOTICE. IT IS CONFIDENTIAL AND A PROPERTY OF Amphenol LTW. DISCLOSURE TO THIRD PARTY HAS TO BE AUTHORIZED BY Amphenol LTW.