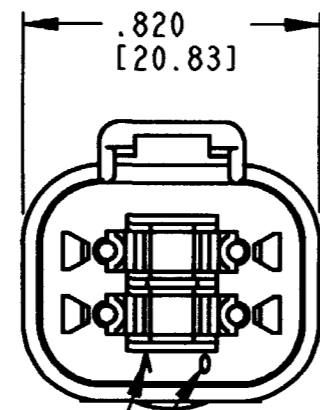
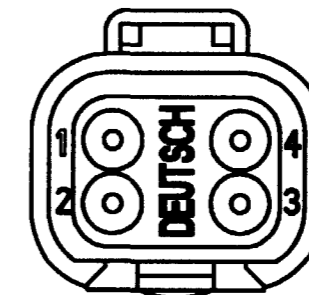
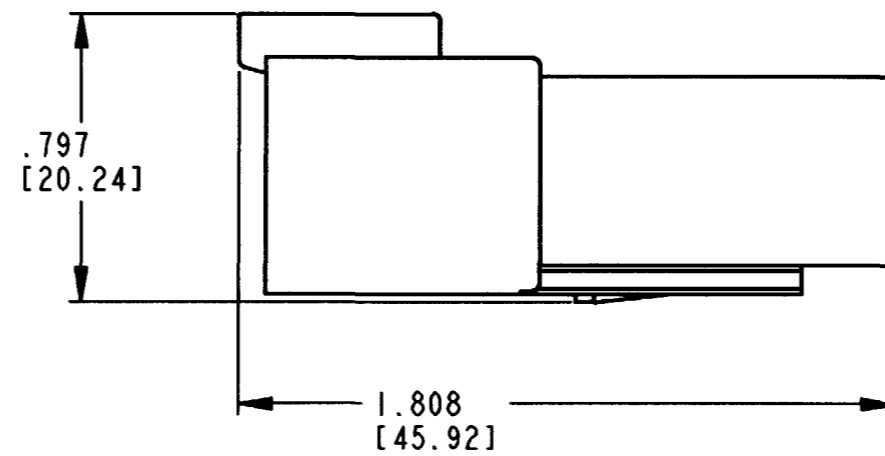


REV
A DT04-4P-E004

REVISIONS			
SYM	DESCRIPTION	DATE	APPROVED
NC	NEW RELEASE PER E.O. A13781	3/19/92	R.D.R
A	REVISED PER E.O. P18465	2-4-04	RDR



DATE CODE
YEAR IS REPRESENTED BY LAST
NUMERICAL DIGIT. EX: 0 = 2000
MONTH IS REPRESENTED BY SEQUENTIAL
ALPHA CHARACTERS. EX: A = JANUARY.



5. MATERIAL: SHELL: PLASTIC;
GROMMET: RUBBER.
4. THIS RECEPTACLE MATES WITH THE DT06-4S-**** PLUG. (**** = ALL MODIFICATIONS).
CONSULT FACTORY FOR MODIFICATIONS.

3. FOR CONTACTS AND WIRE PERFORMANCE AND APPLICATION CHARACTERSTICS,
SEE ENVELOPE DRAWING 0425-015-0000 AND 0425-017-0000.

2. DIMENSIONS ARE ±.025[0.63] UNLESS OTHERWISE SPECIFIED.

1. DIMENSIONS ARE IN INCHES [MILLIMETERS].

NOTES:

CONTACT SIZE	MIN. INSUL. O.D.	MAX. INSUL. O.D.	WIRE RANGE [mm ²] REF ONLY ³
16	.088 [2.23]	.145 [3.68]	14-20 AWG. [2.0-0.5]

SIGNATURE & DATE	
DR	T. YOHANNES 18JAN04
CHK	J. Lim 2/4/04
PE	Taylor Johnson 1/22/04
APPD	S. Bend 1-29-04
SCALE	NONE WT

4 WAY RECEPTACLE
-E004 MOD.
COLOR: BLACK
DT SERIES

ENVELOPE

CP	MATL. CODE
The Deutsch Company DEUTSCH I.P.D. 3850 INDUSTRIAL AVE. HEMET, CALIF. 92545	
B DT04-4P-E004	
DWG SIZE	CODE SHEET OF