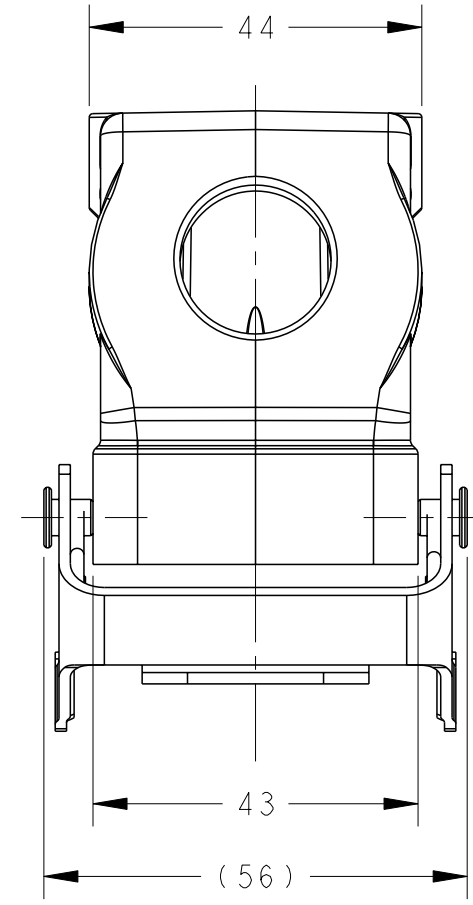
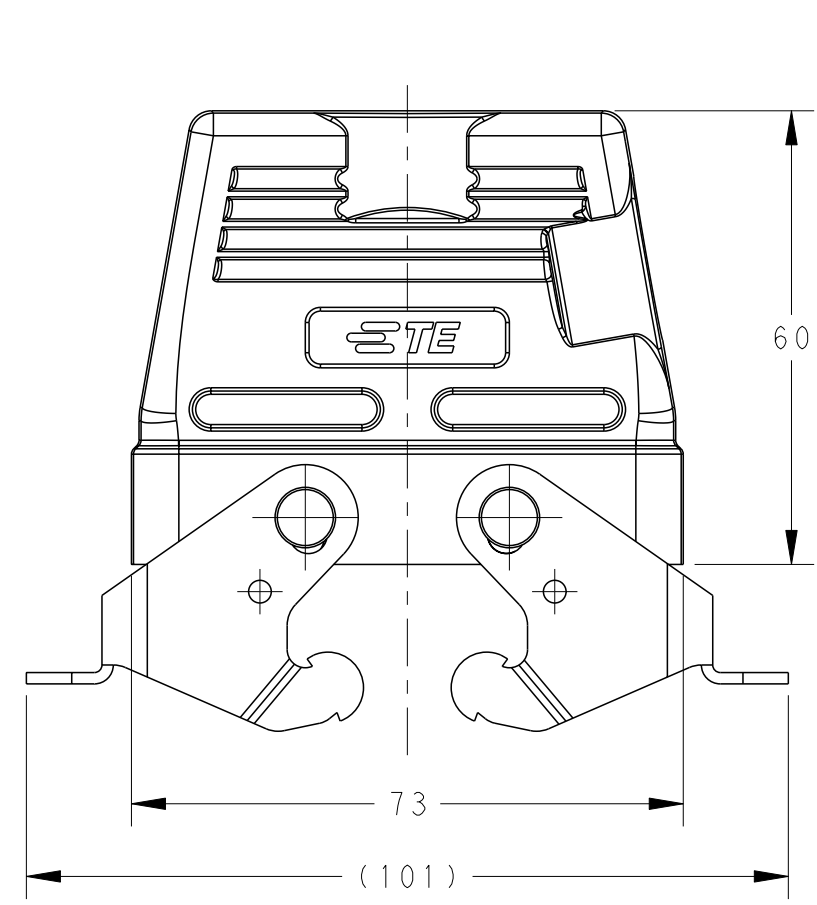


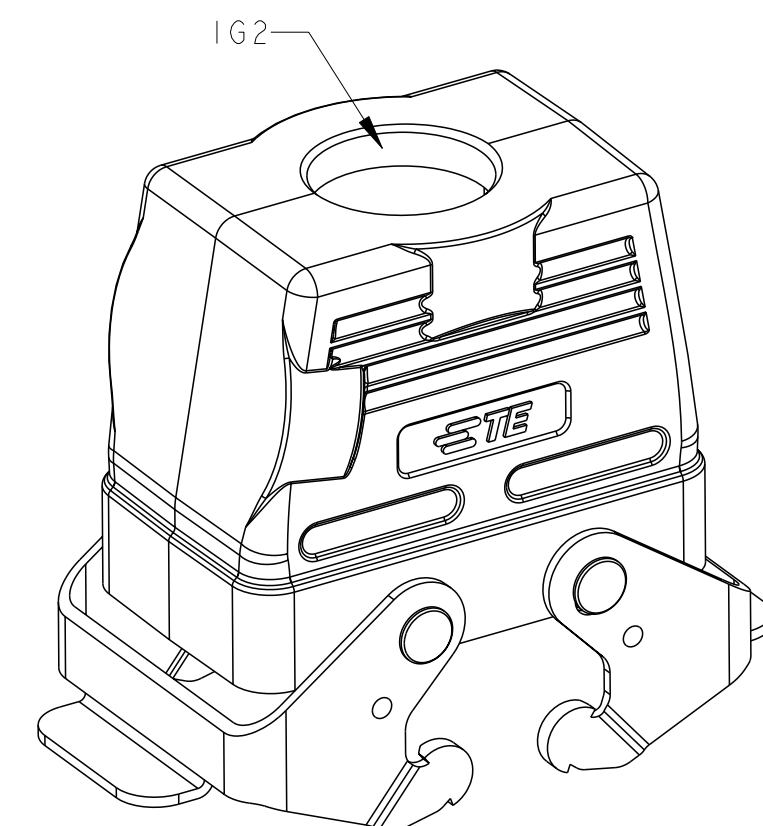
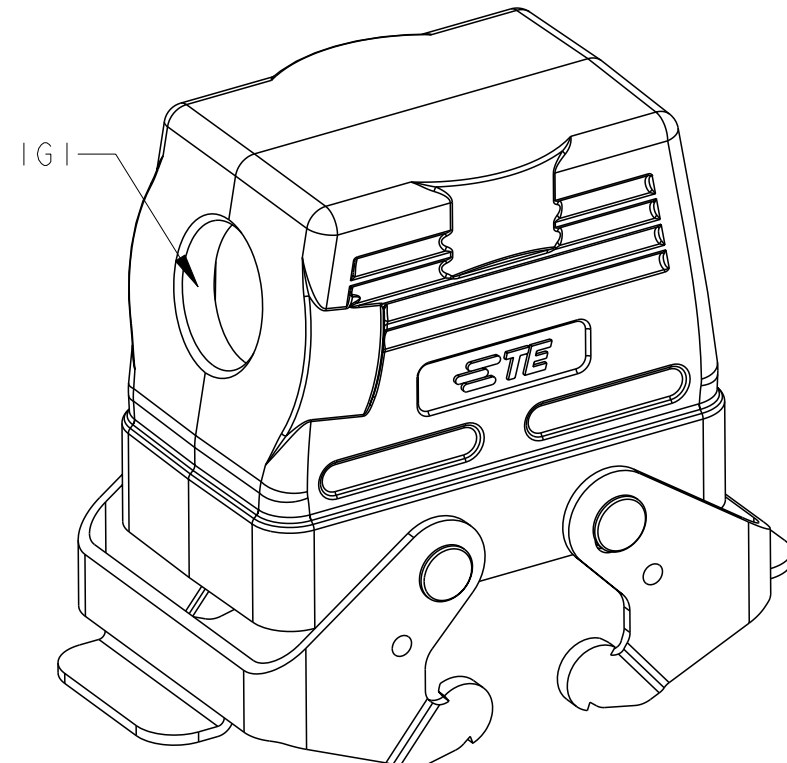
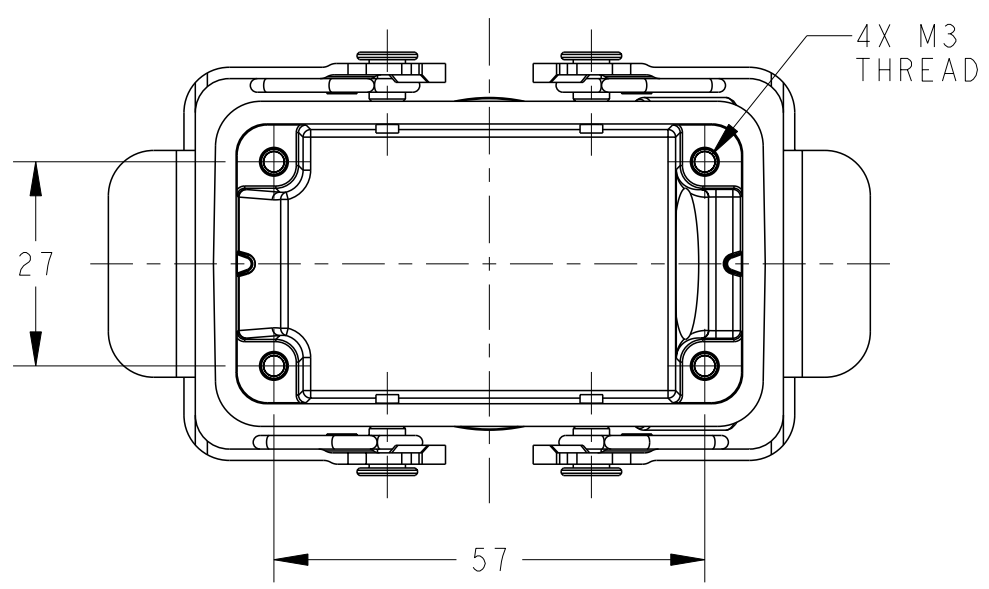
THIS DRAWING IS UNPUBLISHED. RELEASED FOR PUBLICATION 20  
 © COPYRIGHT 20 BY - ALL RIGHTS RESERVED.

REVISIONS				
P	LTR	DESCRIPTION	DATE	APVD
	A	INITIAL	24JUN2015	DW CW



NOTES:  
 1. TECHNICAL CHARACTERISTICS:  
 HOOD MATERIAL: DIE CAST ALUMINIUM ALLOY  
 SURFACE: POWDER COATED, GREY  
 OPERATION TEMPERATURE: -40-+125°C  
 DEGREE OF PROTECTION: IP65 (MATED)

注释:  
 1. 技术参数:  
 上壳材料: 铝合金  
 表面处理: 粉末涂层, 灰色  
 工作温度: -40-+125°C  
 防护等级: IP65(配合)



TYPE 1: LOW CONSTRUCTION, SIDE ENTRY WITH STEEL LOCKING

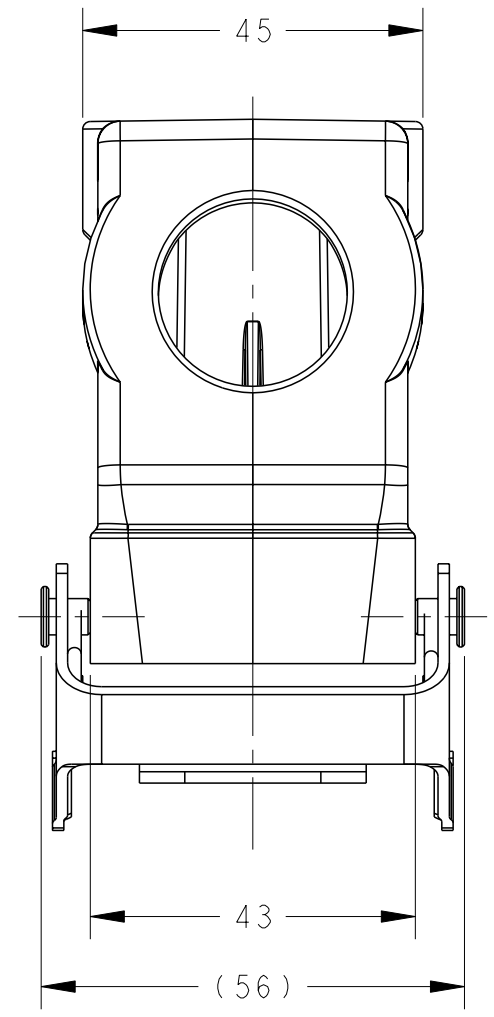
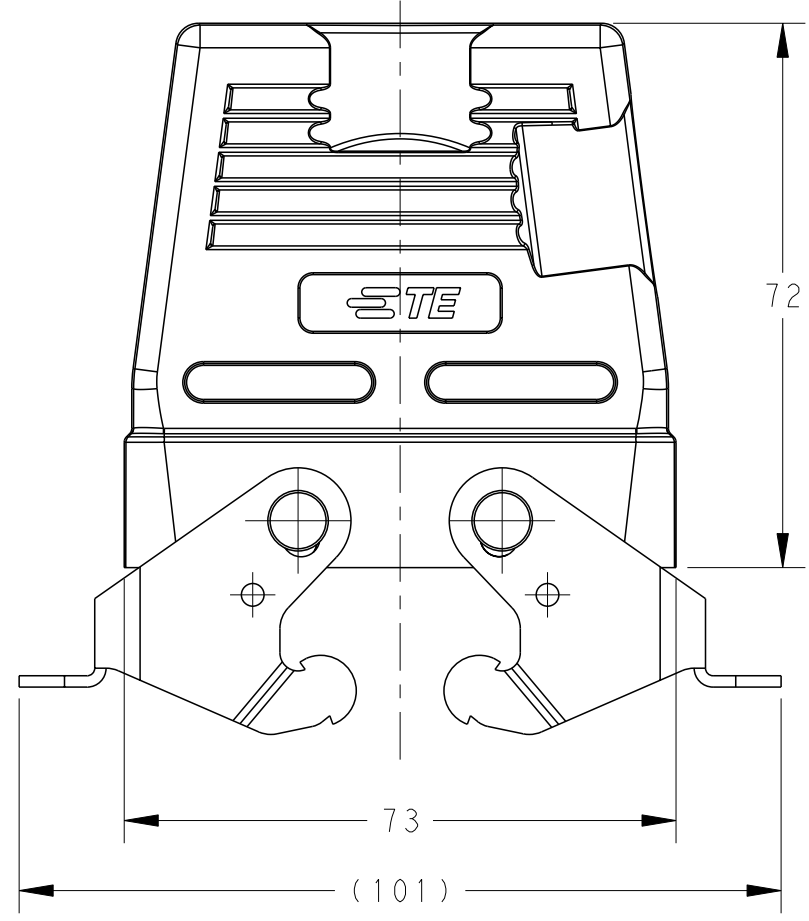
TYPE 2: LOW CONSTRUCTION, TOP ENTRY WITH STEEL LOCKING OTHER SPEC REFER TO TYPE 1

PART NUMBER	TYPE	DESCRIPTION	IG1	IG2
T1250102116-000	TYPE 1	H10B-TSB-PG16	PG16	-
T1250102120-000		H10B-TSB-M20	M20	-
T1250102125-000		H10B-TSB-M25	M25	-
T1260102116-000	TYPE 2	H10B-TGB-PG16	-	PG16
T1260102120-000		H10B-TGB-M20	-	M20
T1260102121-000		H10B-TGB-PG21	-	PG21
T1260102125-000		H10B-TGB-M25	-	M25

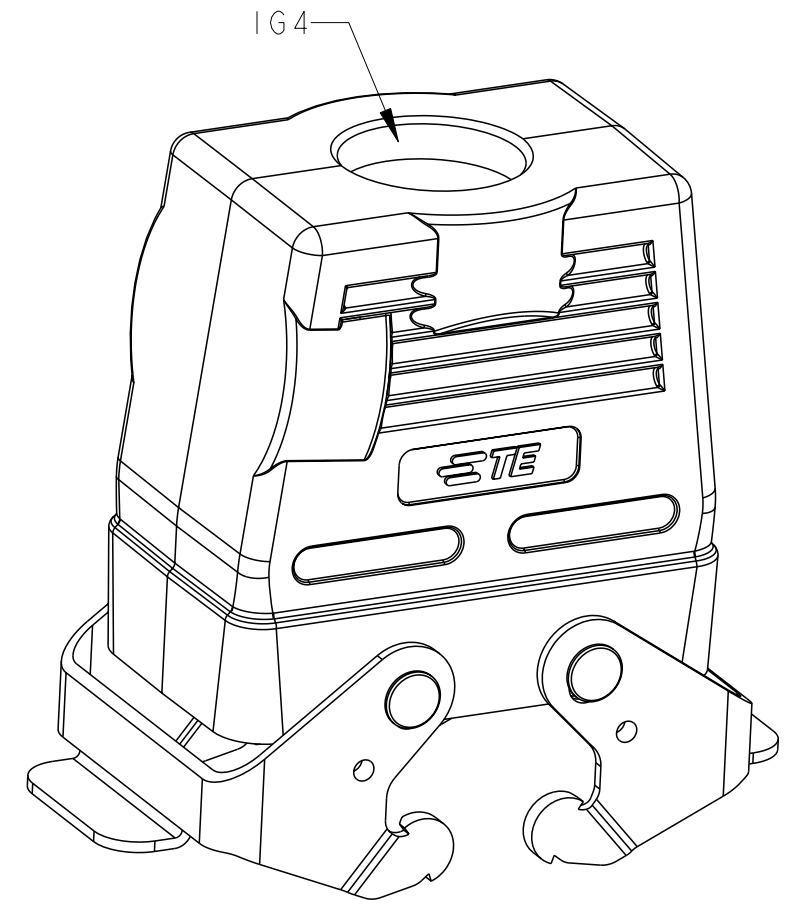
THIS DRAWING IS A CONTROLLED DOCUMENT.		DWN David Wang 24JUN2015	<b>STE</b> TE Connectivity	
		CHK Chris Wang 24JUN2015		
DIMENSIONS: mm		APVD Xiang Xu 24JUN2015	NAME H10B-TSB/TGB/TSBH/TGBH-M/PG	
TOLERANCES UNLESS OTHERWISE SPECIFIED:		PRODUCT SPEC 108-137013	SIZE CAGE CODE DRAWING NO RESTRICTED TO	
0 PLC ±		APPLICATION SPEC 114-137013	A200779 C-T12X01021XX000	
1 PLC ±		WEIGHT -	SCALE 1:1 SHEET 1 OF 2 REV A	
2 PLC ±		Customer Drawing		
3 PLC ±				
4 PLC ±				
ANGLES ±				
FINISH -				

THIS DRAWING IS UNPUBLISHED. RELEASED FOR PUBLICATION 20  
 © COPYRIGHT 20 BY - ALL RIGHTS RESERVED.

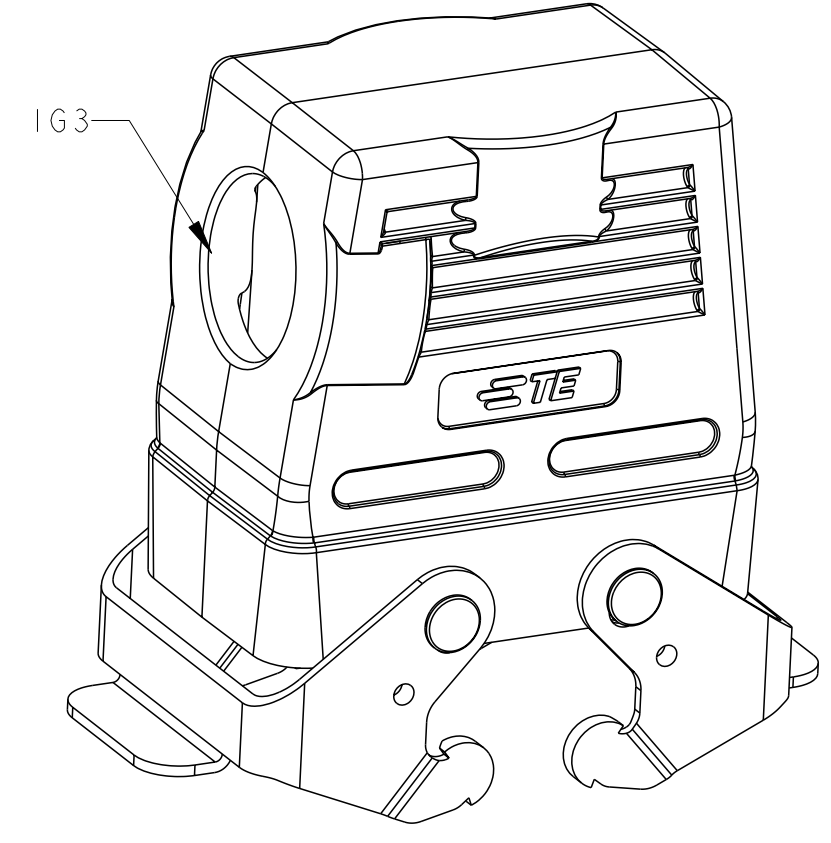
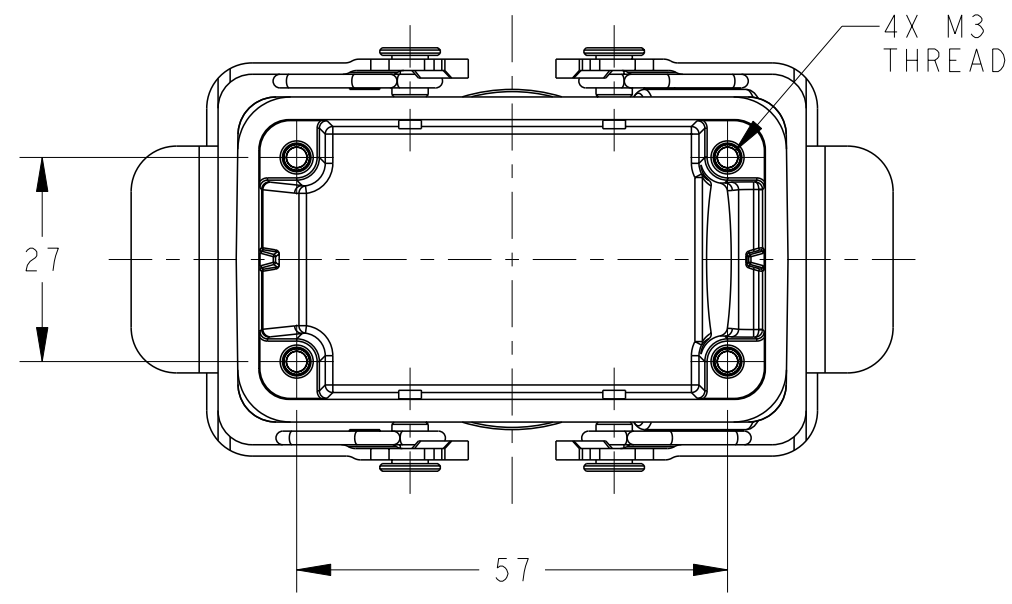
REVISIONS				
P	LTR	DESCRIPTION	DATE	APVD
-		SEE SHEET 1	-	-



NOTES:  
SEE SHEET 1



TYPE 4: HIGH CONSTRUCTION, TOP ENTRY WITH STEEL LOCKING  
OTHER SPEC REFER TO TYPE 3



TYPE 3: HIGH CONSTRUCTION, SIDE ENTRY WITH STEEL LOCKING

PART NUMBER	TYPE	DESCRIPTION	IG3	IG4
T1270102121-000	TYPE 3	H10B-TSBH-PG21	PG21	-
T1270102125-000		H10B-TSBH-M25	M25	-
T1270102129-000		H10B-TSBH-PG29	PG29	-
T1270102132-000		H10B-TSBH-M32	M32	-
T1270102140-000	TYPE 4	H10B-TSBH-M40	M40	-
T1280102121-000		H10B-TGBH-PG21	-	PG21
T1280102125-000		H10B-TGBH-M25	-	M25
T1280102129-000		H10B-TGBH-PG29	-	PG29
T1280102132-000	H10B-TGBH-M32	-	M32	

THIS DRAWING IS A CONTROLLED DOCUMENT.

DIMENSIONS: mm 	TOLERANCES UNLESS OTHERWISE SPECIFIED: 0 PLC ± 1 PLC ± 2 PLC ± 3 PLC ± 4 PLC ± ANGLES ± FINISH -	DWN David Wang 24 JUN 2015 CHK Chris Wang 24 JUN 2015 APVD Xiang Xu 24 JUN 2015	TE Connectivity			
		PRODUCT SPEC 108-137013 APPLICATION SPEC 114-137013 WEIGHT -	NAME H10B-TSB/TGB/TSBH/TGBH-M/PG		SIZE A200779 CAGE CODE C-T12X01021XX000	DRAWING NO RESTRICTED TO -
MATERIAL -		Customer Drawing		SCALE 1:1	SHEET 2 OF 2	REV A