

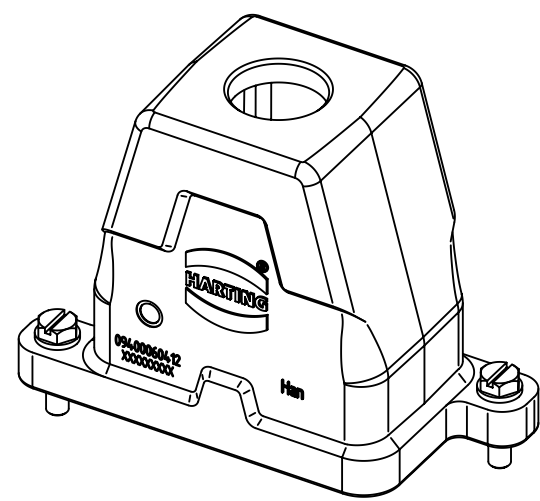
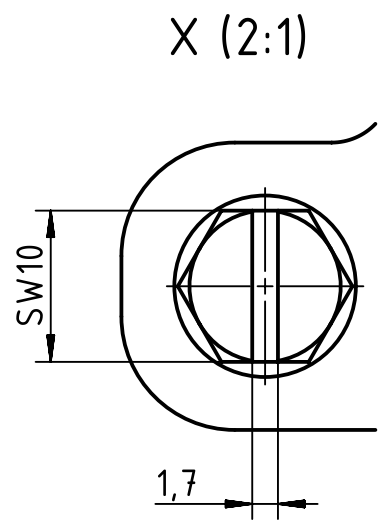
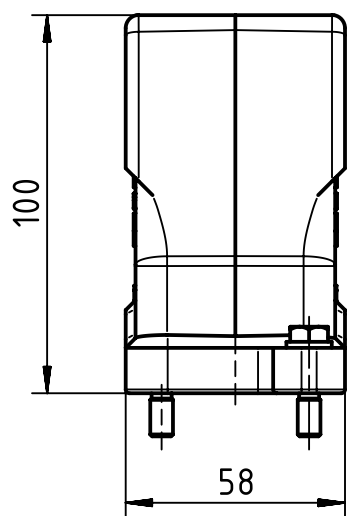
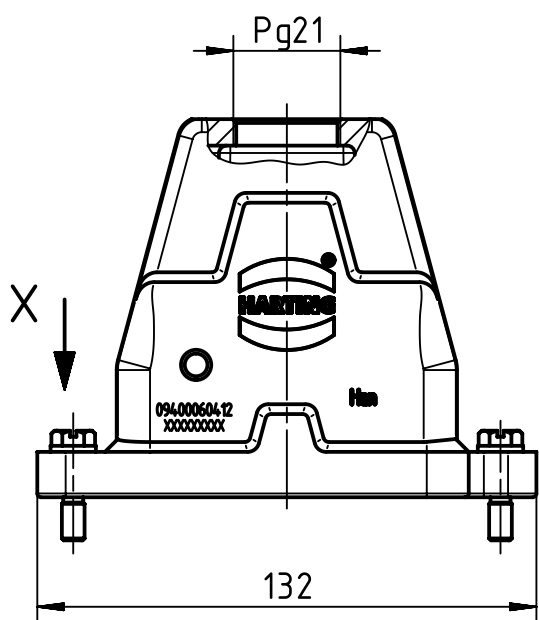
1 2 3 4 5 6

A

B

C

D



	All Dimensions in mm Original Size DIN A4		Scale 1:2	Free size tol.		Ref.	
			Created by RULLKOETTER		Inspected by SCHNIEDER	Standardisation TIEMANNA	
All rights reserved Department EL PD - DE		Date 2014-02-17		State Final Release		Sub.	
HARTING Electric GmbH & Co. KG D-32339 Espelkamp		Title Han 6HPR Hood Top Entry PG21 Screw lock				Doc-Key / ECM-Nr. 100208594/UGD/004/A 500000071789	
		Type TB	Number 09 40 006 0412			Rev. A	Page 1/1