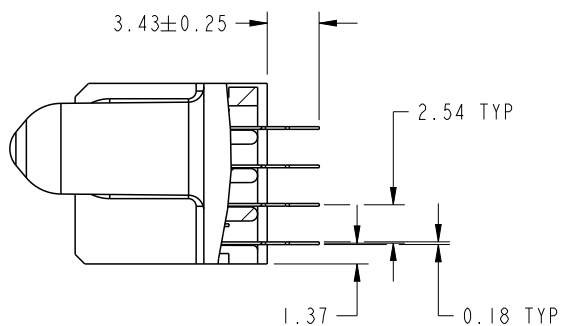


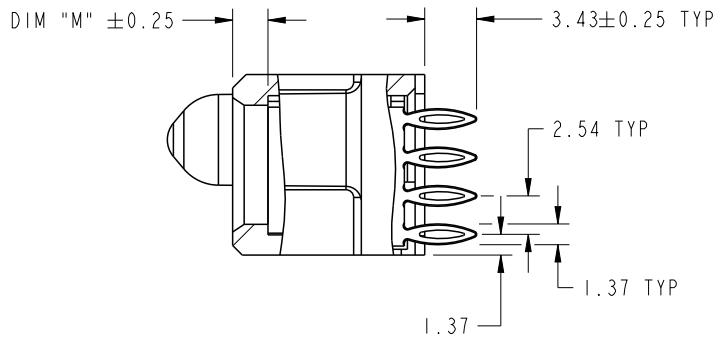


PRODUCT NUMBER

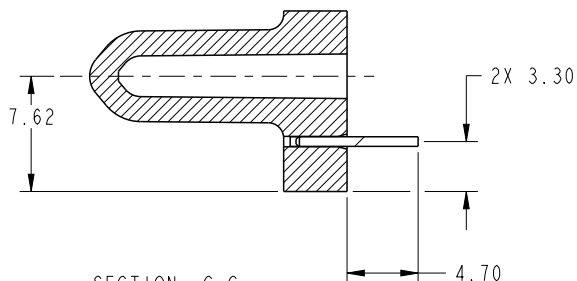
51940-406\_\_  
NOTE: 3



SECTION A-A  
SCALE 2:1



SECTION B-B  
SCALE 2:1



SECTION C-C  
SCALE 2:1

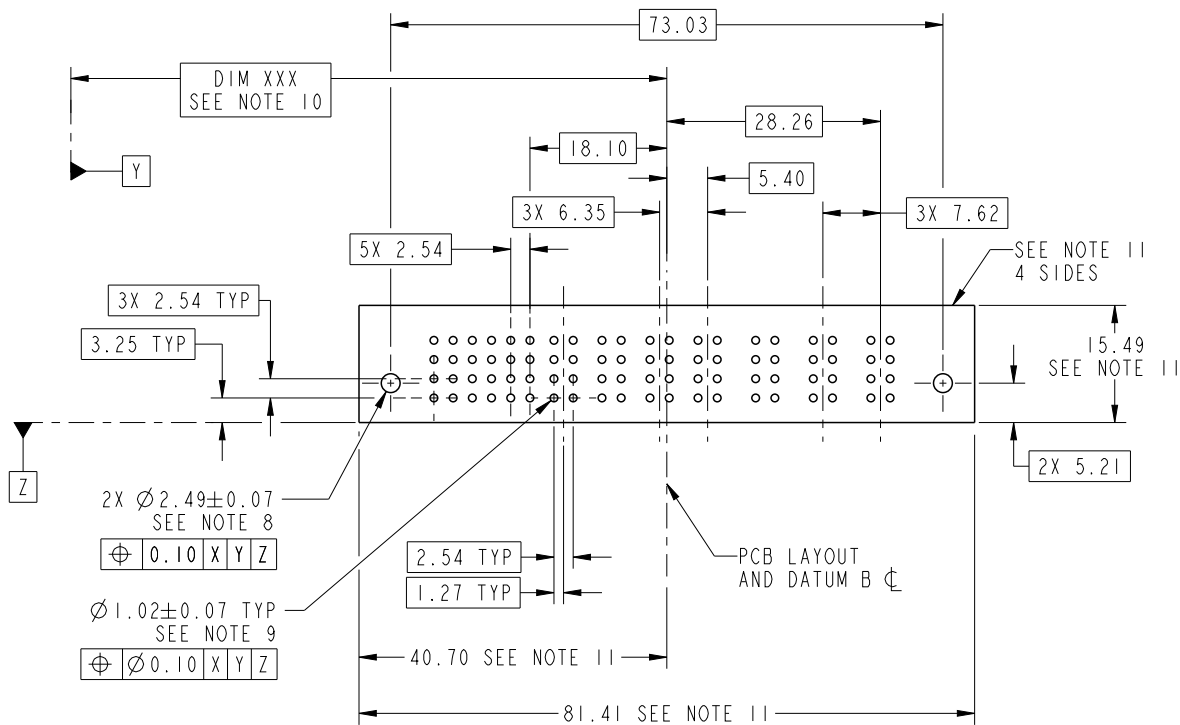
dr	Guang, Shi	2011/11/11	projection 	MM 	size	A4	scale	1:1			
eng	Guang, Shi	2011/11/28			ecn no	-					
chr	-	-			rel level	Released					
appr	Pei-Ming Zheng	2011/12/02	product family	PwrBlade							
		title			3ACP + 4P + 24S		dwg no		51940-406	rev	A
www.fci.com		cat. no.			-		Product - Customer Drw		sheet 2 of 4		



Copyright FCI.

PRODUCT NUMBER

51940-406\_\_  
NOTE: 3



dr	Guang, Shi	2011/11/11	projection 	MM 	size	A4	scale	1:1
eng	Guang, Shi	2011/11/28			ecn no	-		
chr	-	-			rel level	Released		
appr	Pei-Ming Zheng	2011/12/02	product family	PwrBlade	rev	A		
	title	3ACP + 4P + 24S VERTICAL PF RECEPT		dwg no	51940-406			
www.fci.com	cat. no.	-	Product - Customer Drw		sheet 3 of 4			

PRODUCT NUMBER

51940-406\_\_  
NOTE: 3

NOTES:

1. DIMENSIONS AND TOLERANCES ARE IN ACCORDANCE WITH ASME Y14.5M, 1994 UNLESS OTHERWISE SPECIFIED.

CONNECTOR NOTES:

- ② HOUSING MATERIAL: UL 94 V-0 GLASS FILLED HIGH-TEMP THERMOPLASTIC  
POWER CONTACT MATERIAL: COPPER ALLOY  
SIGNAL PIN MATERIAL: COPPER ALLOY
- 3. SEE ITEM 7 & 8 IN PRINT 10064183 FOR PLATING SPEC OF 51940-406 AND 51940-406LF RESPECTIVELY.
- ④ MANUFACTURER'S NAME, P/N, AND DATE CODE TO APPEAR ON THIS SURFACE.
- 5. PRODUCT SPECIFICATION GS-12-149.  
APPLICATION SPECIFICATION BUS-20-067.
- 6. PACKAGED IN TRAYS.

PCB NOTES:

- 7. ALL HOLE DIAMETERS ARE FINISHED HOLE SIZE.
- ⑧ MOUNTING HOLES, WHERE APPLICABLE, ARE UNPLATED.
- ⑨  $\varnothing 1.151 \pm 0.025$  DRILLED HOLES PLATED WITH  
0.008 MIN SnPb OR Sn OVER 0.03  
TO 0.08 Cu PLATING TO ACHIEVE  
 $\varnothing 1.02 \pm 0.07$  HOLE.
- ⑩ "DIM XXX" TO BE DETERMINED BY THE CUSTOMER.
- ⑪ CONNECTOR KEEP-OUT ZONE.
- 12. THE VOID CORING IN BETWEEN POWER MODULES, SIGNAL MODULES AND END MODULES ARE OPTIONAL AND THE SHAPE MAY BE DIFFERENT FOR OPTIMIZE THE MOLDING PROCESS. THE VOID CORING WILL NOT EFFECT TO PRODUCT FUNCTION.

dr	Guang, Shi	2011/11/11	projection 	MM 	size	A4	scale	1:1
eng	Guang, Shi	2011/11/28			ecn no	-		
chr	-	-			rel level	Released		
appr	Pei-Ming Zheng	2011/12/02	product family	PwrBlade	rev	A		
	title	3ACP + 4P + 24S VERTICAL PF RECEPT		dwg no	51940-406			
www.fci.com	cat. no.	-	Product - Customer Drw		sheet 4 of 4			