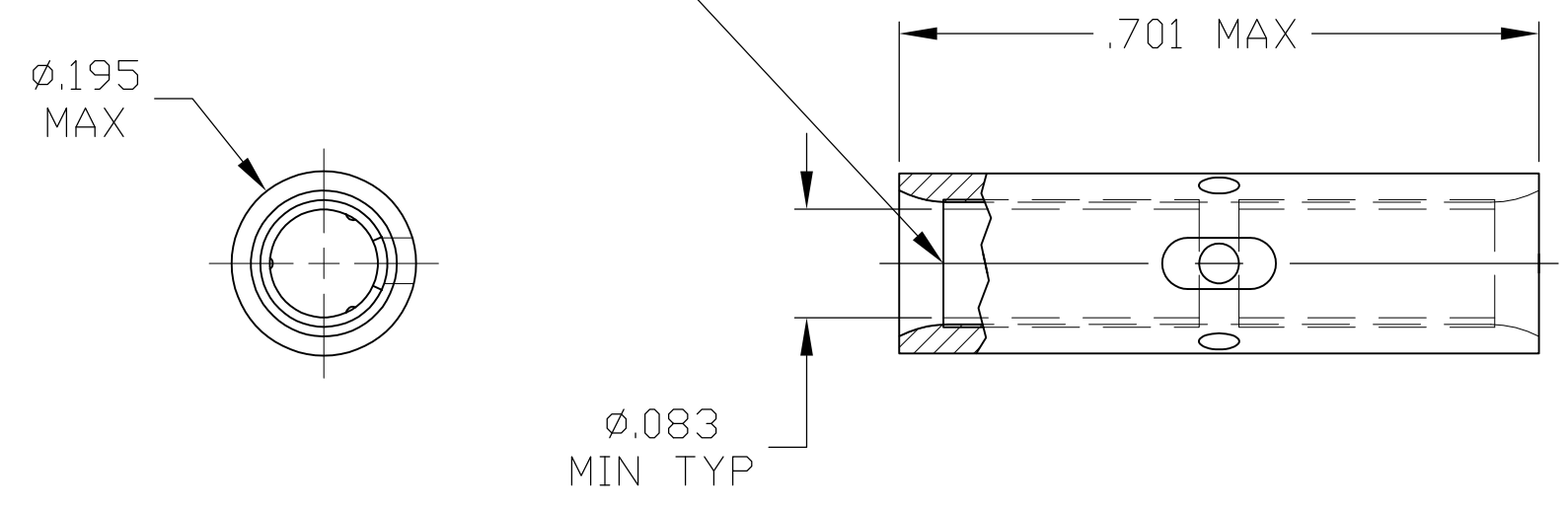


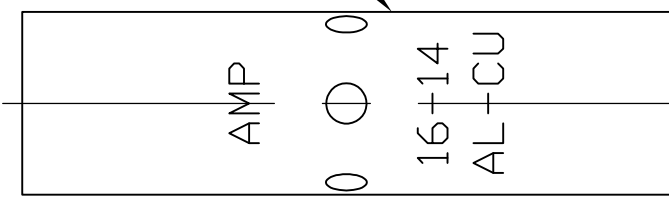
THIS DRAWING IS UNPUBLISHED. RELEASED FOR PUBLICATION
 © COPYRIGHT BY TYCO ELECTRONICS CORPORATION. ALL INTERNATIONAL RIGHTS RESERVED.

LOC		DIST		REVISIONS			
P	LTR	DESCRIPTION		DATE	DWN	APVD	
	E	REV PER ECO 09-013492		6-25-09	CT	JW	

INSERT
 MAT'L: BRASS PER ASTM-B-19
 FINISH: TIN PLATED .00030 MIN THK
 PER ASTM-B-545 OR 539



BODY
 MAT'L: COPPER PER ASTM-B-152
 FINISH: TIN PLATED
 PER ASTM-B-545 OR 539



52001
 PART NUMBER

THIS DRAWING IS A CONTROLLED DOCUMENT.		DWN C.C.THOMAS 6-25-09	Tyco Electronics Corporation Harrisburg, PA 17105-3608		
DIMENSIONS: INCHES		CHK 6-25-09 J.WEAVER	NAME SPLICE,BUTT,COPALUM,WIRE SIZE 16-14 STRANDED/SOLID		
TOLERANCES UNLESS OTHERWISE SPECIFIED:		APVD 6-25-09 J.WEAVER	PRODUCT SPEC		
0 PLC ± - 1 PLC ± - 2 PLC ± - 3 PLC ± .005 4 PLC ± - ANGLES ± -		APPLICATION SPEC		RESTRICTED TO	
MATERIAL SEE CALLOUT		FINISH SEE CALLOUT	WEIGHT -	SIZE A3	CAGE CODE 00779
CUSTOMER DRAWING			DRAWING NO G-52001	SCALE 5:1	SHEET 1 OF 1
			REV E		