

# MEB/MEB II UART-to-USB Adapter Board Information Sheet

The MEB/MEB II UART-to-USB Adapter Board (AC320101) uses the MCP2200 Breakout Module (ADM00393) to convert USB-to-UART signals that can be accessed directly by the PICtail™ connector on either the Multimedia Expansion Board (MEB) DM320005 or the Multimedia Expansion Board II (MEB II) DM320005-2.

The four jumpers on the board can be used to route the UART signals to either the MEB or MEB II.

For more information, refer to the “MCP2200 Data Sheet” (DS20002228) and the MPC2000 Breakout Module, which are available for download from the Microchip web site at:

<http://www.microchip.com/DevelopmentTools/ProductDetails.aspx?PartNO=ADM00393>.

Table 1 shows the mapping between the PICtail Connector (J1) and the MEB/MEB II configurations.

**TABLE 1: HEADER INTERFACE MAPPING**

PICtail™ (J1) Pin #	MEB Configuration		PIC32MX Signal Name	MEB II Configuration		PIC32MZ Signal Name
	Signal @ J3	Pin Function		Signal @ J2	Pin Function	
1	+3.3V	+3.3V	+3.3V	+3.3V	+3.3V	+3.3V
2	—	—	—	—	—	—
3	—	—	—	—	—	—
4	—	—	—	—	—	—
5	—	—	—	—	—	—
6	—	—	—	—	—	—
7	—	—	—	MEB2_CTS	SD12/SD14/WIFI_SDO	RPG7
8	—	—	—	—	—	—
9	—	—	—	MEB2_RTS	AN12/SDO2/U2CTS/BT_RTS	RPG8
10	—	—	—	—	—	—
11	—	—	—	MEB2_TxD	AN14/SCK2/U2RX/BT_TX	RPG6
12	—	—	—	—	—	—
13	—	—	—	—	—	—
14	—	—	—	—	—	—
15	—	—	—	—	—	—
16	MEB1_TxD	SDI3A	RF4	—	—	—
17	—	—	—	—	—	—
18	MEB1_RxD	SDO3A	RF5	—	—	—
19	—	—	—	MEB2_RxD	SCK3/U2TX/BT_RX	—
20	MEB1_CTS	SCK3A	RF13	—	—	RPB14
21	—	—	—	—	—	—
22	MEB1_RTS	SS3A/RF12	RF12	—	—	—
23	—	—	—	—	—	—
24	—	—	—	—	—	—
25	—	—	—	—	—	—
26	—	—	—	—	—	—
27	—	—	—	—	—	—
28	—	—	—	—	—	—

**Legend:** Shaded cells marked with “—” indicate a No Connect.

## Americas

Atlanta - 678-957-9614  
 Austin - 512-257-3370  
 Boston - 774-760-0087  
 Chicago - 630-285-0071  
 Cleveland - 216-447-0464  
 Dallas - 972-818-7423  
 Detroit - 248-848-4000  
 Houston - 281-894-5983  
 Indianapolis - 317-773-8323  
 Los Angeles - 949-462-9523  
 New York - 631-435-6000  
 Phoenix - 480-792-7200  
 Santa Clara - 408-961-6444  
 Toronto - 905-673-0699

## Europe

Austria - Wels - 43-7242-2244-39  
 Denmark - Copenhagen - 45-4450-2828  
 France - Paris - 33-1-69-53-63-20  
 Germany - Munich - 49-89-627-144-0  
 Italy - Milan - 39-0331-742611  
 Netherlands - Drunen - 31-416-690399  
 Spain - Madrid - 34-91-708-08-90  
 UK - Wokingham - 44-118-921-5869

## Asia/Pacific

Australia - Sydney - 61-2-9868-6733  
 China - Beijing - 86-10-8569-2100  
 China - Chengdu - 86-28-8665-5511

## Asia/Pacific (Continued)

China - Chengdu - 86-28-8665-5511  
 China - Chongqing - 86-23-8980-9588  
 China - Dongguan - 86-769-8702-9880  
 China - Hangzhou - 86-571-8792-8115  
 China - Hong Kong SAR - 852-2943-5100  
 China - Nanjing - 86-25-8473-2460  
 China - Qingdao - 86-532-8502-7355  
 China - Shanghai - 86-21-5407-5533  
 China - Shenyang - 86-24-2334-2829  
 China - Shenzhen - 86-755-8864-2200  
 China - Wuhan - 86-27-5980-5300  
 China - Xiamen - 86-592-2388138  
 China - Xian - 86-29-8833-7252  
 China - Zhuhai - 86-756-3210040  
 India - Bangalore - 91-80-3090-4444  
 India - New Delhi - 91-11-4160-8631  
 India - Pune - 91-20-3019-1500  
 Japan - Osaka - 81-6-6152-7160  
 Japan - Tokyo - 81-3-6880-3770  
 Korea - Daegu - 82-53-744-4301  
 Korea - Seoul - 82-2-554-7200  
 Malaysia - Kuala Lumpur - 60-3-6201-9857  
 Malaysia - Penang - 60-4-227-8870  
 Philippines - Manila - 63-2-634-9065  
 Singapore - 65-6334-8870  
 Taiwan - Hsin Chu - 886-3-5778-366  
 Taiwan - Kaohsiung - 886-7-213-7828  
 Taiwan - Taipei - 886-2-2508-8600  
 Thailand - Bangkok - 66-2-694-1351

01/27/15



**MICROCHIP**

Microchip Technology Inc. • 2355 West Chandler Blvd. • Chandler, AZ 85224-6199

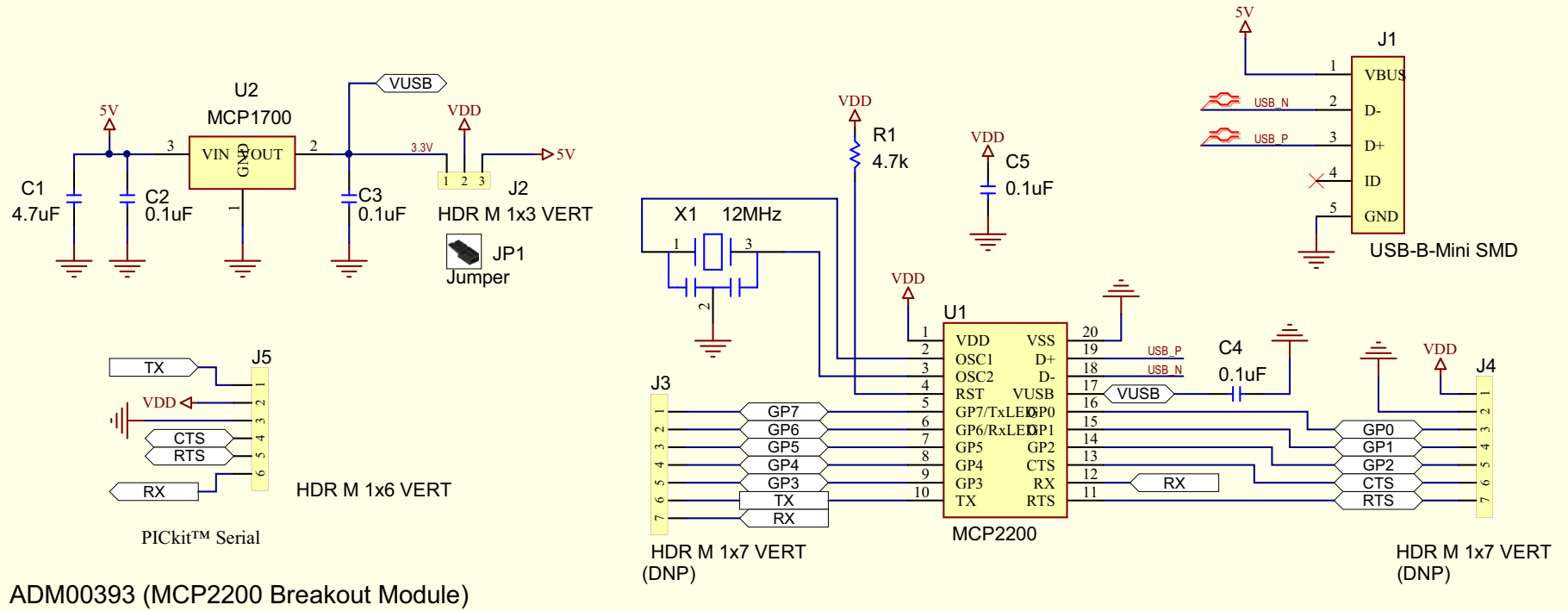
[www.microchip.com](http://www.microchip.com)

The Microchip name and logo, the Microchip logo, and MPLAB are registered trademarks of Microchip Technology Incorporated in the U.S.A. and other countries. All other trademarks mentioned herein are property of their respective companies. © 2015, Microchip Technology Incorporated, Printed in the U.S.A. All Rights Reserved. 01/15

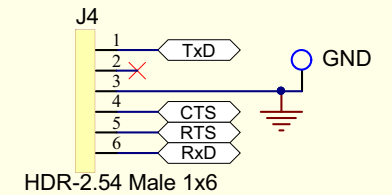
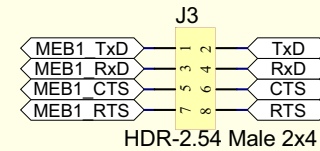
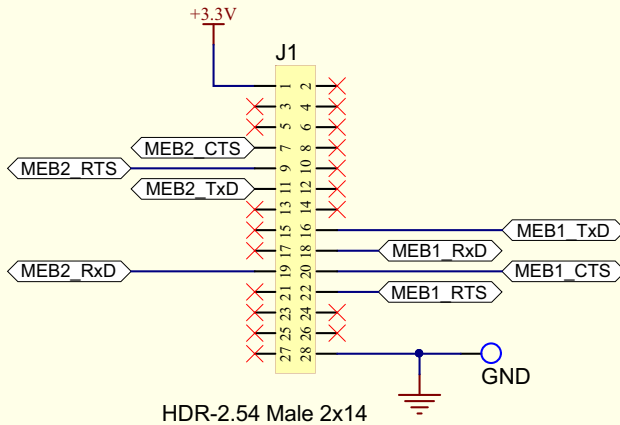
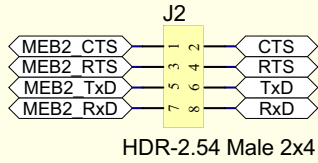
DS50002340A



# MEB/MEB II UART-to-USB Adapter Board Schematics



- JP1 Shunt 2.54mm 1x2 Handle
- JP2 Shunt 2.54mm 1x2 Handle
- JP3 Shunt 2.54mm 1x2 Handle
- JP4 Shunt 2.54mm 1x2 Handle



PICtail™ Connector