

5

4

3

2

1

受控 CONTROLLED DOCUMENT

编号 P/N	25-7307-CUST	版本 Rev	01	日期 Rel'd Date	May8,09
-----------	--------------	-----------	----	------------------	---------

DRAWING NO.
25-7307 -CUST

REVISIONS

01	OFFICIAL RELEASE				Thomas Chow
	03-10-09	T W	Y U	T H	

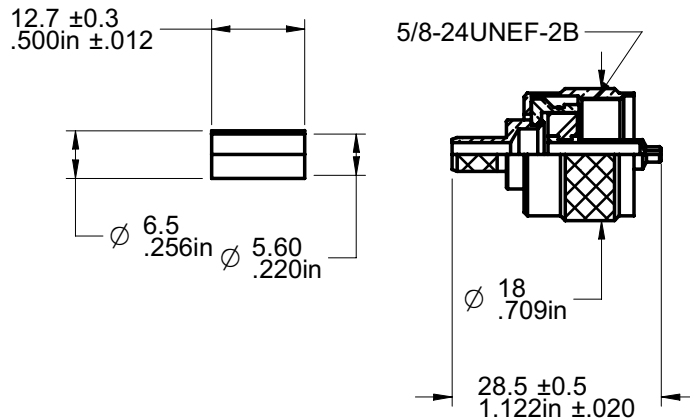
D



Description: UHF Straight Plug for RG 58
 Part No: 25-7307
 Application: For Cable RG 58
 Crimp Tool: 24-9958P
 Impedance: N/A
 Frequency Range: 0-500 MHz
 Material: Body Brass Nickel plated
 Contact Brass Nickel plated
 Insulator Delin
 Spring Steel Nickel plated
 RoHS Compliance: Yes
 Technical Detail: Refer to Emerson Document P/N 29-0000

C

B



DIM OUTLINE

CUSTOMER COPY

A

TOLERANCE UNLESS OTHERWISE SPECIFIED		DRAWN BY TERRY.W	DATE 03-10-09
DECIMALS	mm	CHECKED BY BETTY.YU	DATE 03-10-09
X	± 0.5	APPROVED BY THOMAS	DATE 03-10-09
X.X	± 0.3		
X.XX	± 0.1		
ANGLES	± 0.5°	U/M	mm



TITLE
UHF STRAIGHT PLUG FOR
RG 58

SHEET 1 OF 1	DRAWING NO. 25-7307-CUST	SIZE A
-----------------	-----------------------------	-----------

THIS DRAWING WAS PRODUCED BY COMPUTER,
DO NOT SCALE DRAWING OR UPDATE MANUALLY.

5

4

3

2

1