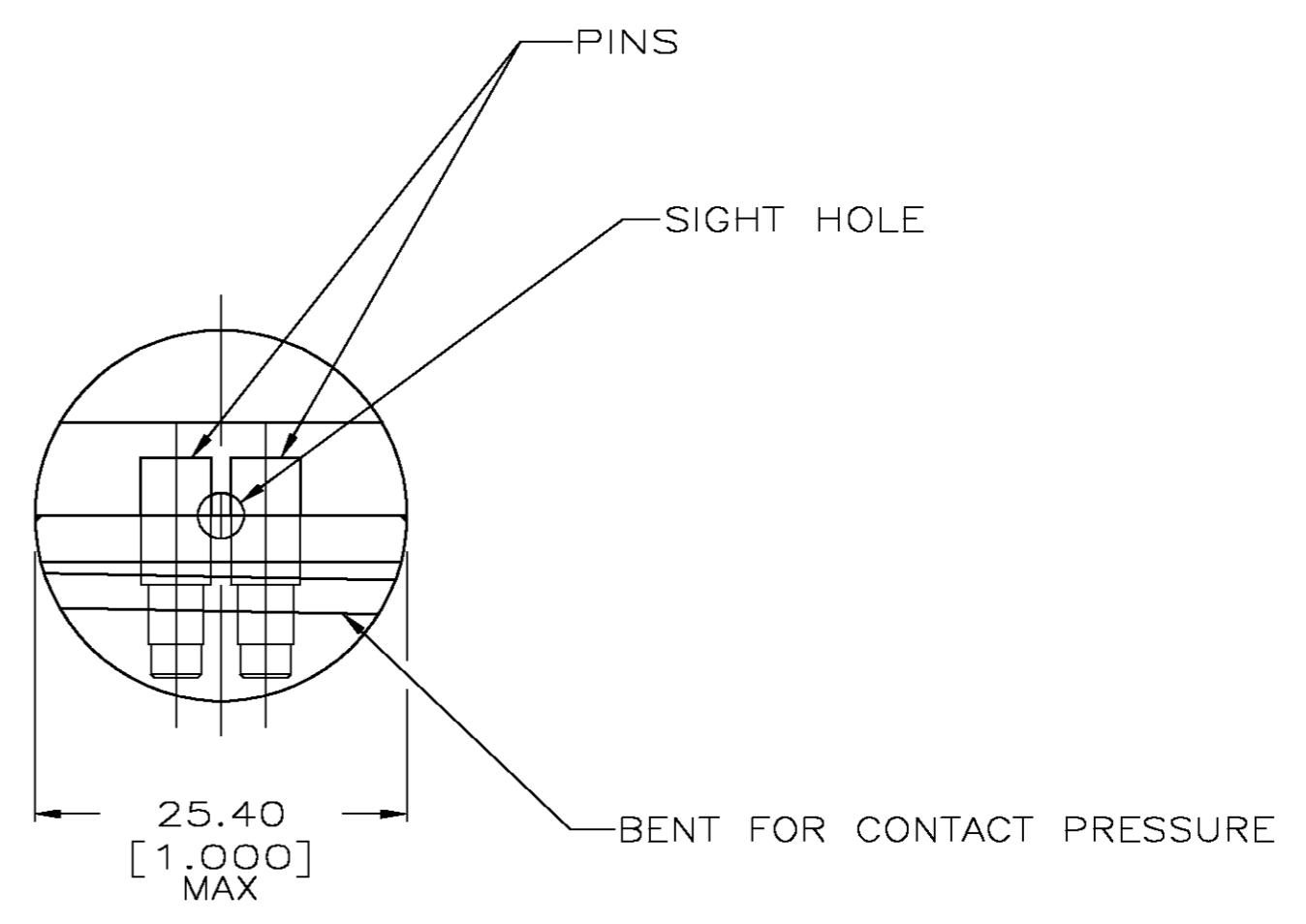
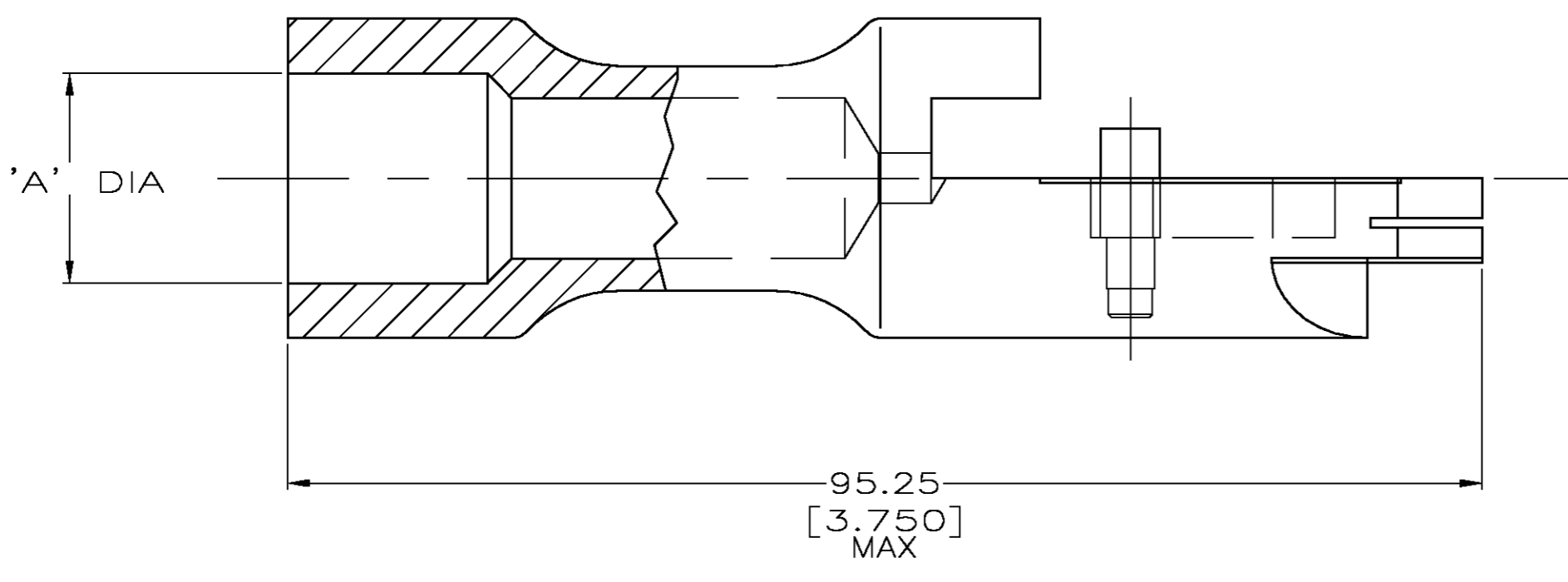
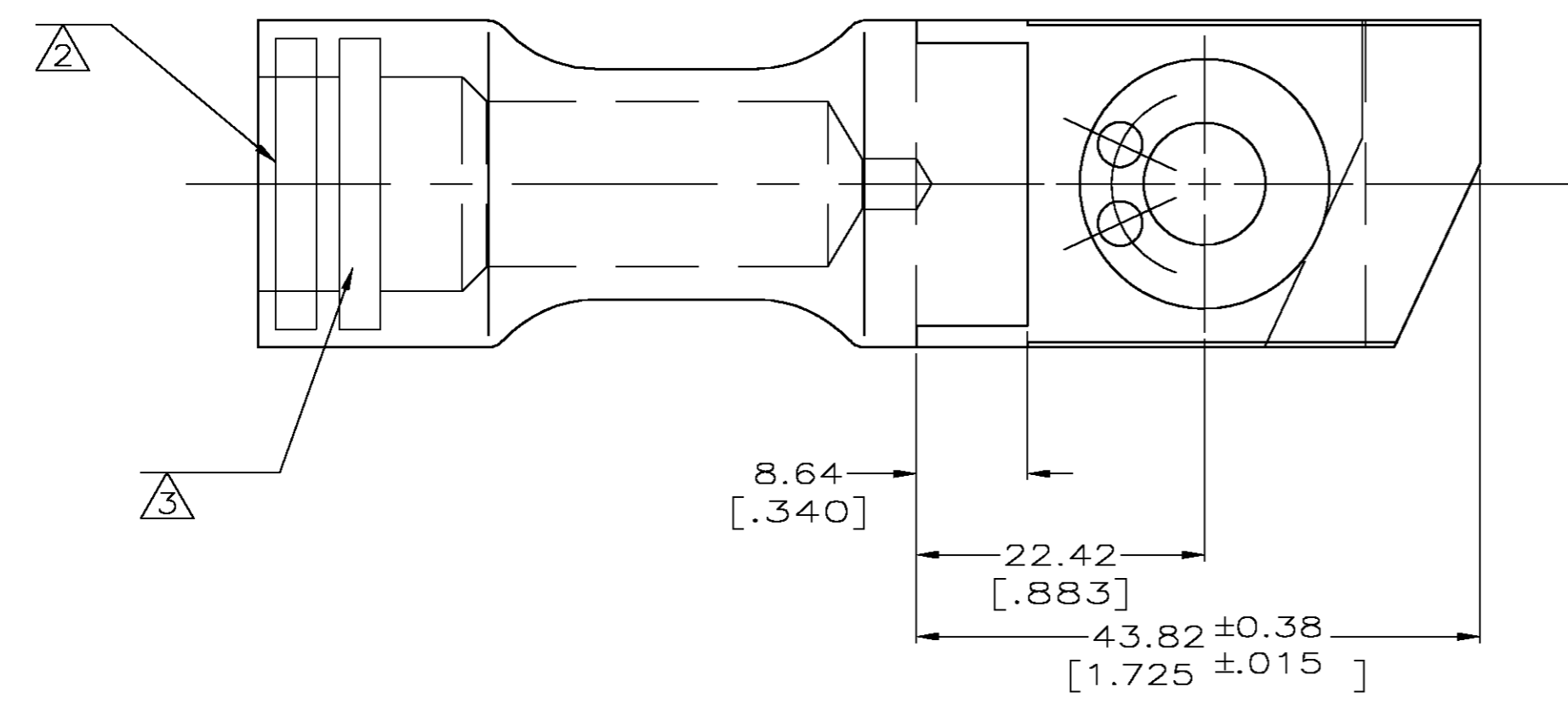


THIS DRAWING IS UNPUBLISHED. RELEASED FOR PUBLICATION  
 © COPYRIGHT BY TYCO ELECTRONICS CORPORATION. ALL RIGHTS RESERVED.

LOC		DIST		REVISIONS			
P	LTR	DESCRIPTION	DATE	DWN	APVD		
G	86	F	REV PER 0G3A-0604-04	29JUL04	JR	MS	

- △1 SPECIAL WIRE SIZE 2/0.
- △2 STAMPING, SEE CHART
- △3 STAMPING, SEE CHART
- △4 FINISH: MIN SILVER PLATE PER QQ-S-365, SEE CHART FOR THK.
- △5 MATERIAL: BODY AND PINS, BRASS PER QQ-B-626
- △6 PRELIMINARY - NOT FOR PRODUCTION



OBSOLETE

⑦7077D80G15	3/0 A33	18.41 [.725]	0.0076 [.0003]	△6 52596-9
⑦7077D80G14	2/0S A33	17.48 [.688]	0.0076 [.0003]	△6 52596-8 △1
⑦7077D80G10	3/0 A33	20.62 [.812]	0.0076 [.0003]	52596-6
-	AMP 3/0	18.27 [.719]	0.0025 [.0001]	52596-5
-	AMP 3/0	20.62 [.812]	0.0025 [.0001]	52596-1
△3 STAMPING	△2	'A'	FINISH △4	AMP PART NUMBER

THIS DRAWING IS A CONTROLLED DOCUMENT.		DWN	JR RUTH	22JUL99	 Tyco Electronics Corporation Harrisburg, Pa 17105-3608
DIMENSIONS: mm [INCHES]		CHK	M SPICER	22JUL99	
TOLERANCES UNLESS OTHERWISE SPECIFIED:		APVD	M SPICER	22JUL99	NAME TERMINAL ASSEMBLY, QUICK-DISCONNECT, AMPPOWER
0 PLC ± -		PRODUCT SPEC	108-13014	SIZE	
1 PLC ± -		APPLICATION SPEC	-	CAGE CODE	00779
2 PLC ± 0.20[.008]		WEIGHT	- lbs	DRAWING NO	C=52596
3 PLC ± -		CUSTOMER DRAWING		RESTRICTED TO	-
4 PLC ± -		SCALE	2:1	SHEET	1 OF 1
ANGLES ± -		REV	F		
FINISH					