



PRODUCT SPECIFICATION

MICRO SATA RECEPTACLE

1.0 SCOPE

This Product Specification covers the performance requirements of the Micro Serial ATA / High Speed Serialized device receptacle connector.

2.0 PRODUCT DESCRIPTION

2.1 PRODUCT NAME AND SERIES NUMBER(S)

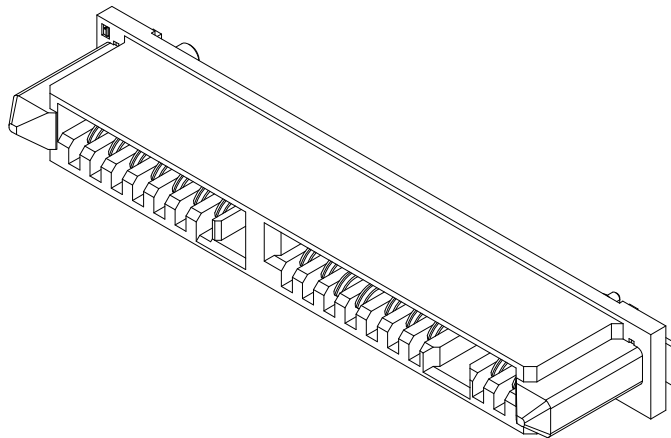
<u>Product Name</u>	<u>Part Number</u>
MICRO SATA RECEPTACLE, VERTICAL SMT	78492-0001

2.2 DIMENSIONS, MATERIALS, PLATINGS AND MARKINGS

See Sales Drawing SD-78492-001 for information on dimensions, materials, platings and markings.

2.3 SAFETY AGENCY APPROVALS

UL FILE : E29179
 CSA : 1699020 (LR19980)



REVISION: A	ECR/ECN INFORMATION: EC No: S2012-0153 DATE: 2011/08/25	TITLE: MICRO SATA RECEPTACLE VERTICAL SMT 1.8INCH SSD/HDD	SHEET No. 1 of 8
DOCUMENT NUMBER: PS-78492-001	CREATED / REVISED BY: GMENARLY 2011/08/25	CHECKED BY: CGOH 2011/09/06	APPROVED BY: BOKOK 2011/09/06



PRODUCT SPECIFICATION

3.0 APPLICABLE DOCUMENTS AND SPECIFICATIONS

The following documents form a part of this specification to the extent specified herewith. In the event of conflict between the requirements of this specification and the product drawing, the product drawing shall take precedence. In addition, in event of conflict between the requirements of this specification and the referenced documents, this specification shall take precedence.

SATA Specification

4.0 RATINGS

4.1 VOLTAGE

30 Volts Max

4.2 CURRENT

1.5 Amps DC or AC (RMS) Max @ 60 Hz

4.3 TEMPERATURE

Operating: - 0°C to + 55°C

Non Operating: - 40°C to + 85°C

4.4 HUMIDITY

20% - 80%

4.5 ATMOSPHERIC PRESSURE

650mm – 800mm Hg

5.0 PERFORMANCE

5.1 ELECTRICAL REQUIREMENTS

ITEM	DESCRIPTION	TEST CONDITION	REQUIREMENT
1	Low Level Contact Resistance (LLCR)	Subject mated contacts assembled in housing to 20 mV maximum open circuit at 100 mA maximum. (EIA 364-23)	30 mΩ MAXIMUM [Initial] 15 mΩ MAXIMUM [Delta change from Initial]
2	Insulation Resistance	Apply a voltage of 500 VDC for 1 minute between adjacent terminals. Measure the insulation resistance for mated and unmated connectors (EIA 364-21)	1000 MΩ MINIMUM

REVISION: A	ECR/ECN INFORMATION: EC No: S2012-0153 DATE: 2011/08/25	TITLE: MICRO SATA RECEPTACLE VERTICAL SMT 1.8INCH SSD/HDD	SHEET No. 2 of 8
DOCUMENT NUMBER: PS-78492-001	CREATED / REVISED BY: GMENARLY 2011/08/25	CHECKED BY: CGOH 2011/09/06	APPROVED BY: BOKOK 2011/09/06



PRODUCT SPECIFICATION

3	Contact Current Rating (Power Segment)	<ul style="list-style-type: none"> Mount connector to a test PCB with ½ oz copper layer. Wire two adjacent pins in parallel for supply (or the minimum number required by the connector type) Wire two adjacent pins in parallel for return (or the minimum number required by the connector type) Apply a DC current of two times the current rating per contact to the supply pins, returning through the return pins. Record temperature rise when thermal equilibrium is reached. 	1.5 A per pin MINIMUM Temperature rise shall not exceed 30°C at any point in the connector when contacts are powered Still Air at Ambient temperature 25°C
4	Dielectric Withstanding Voltage	Apply a voltage of 500 VAC for 1 minute between adjacent terminals of mated and unmated connectors. (EIA 364-20 Method B)	No breakdown

5.2 MECHANICAL REQUIREMENTS

ITEM	DESCRIPTION	TEST CONDITION	REQUIREMENT
5	Connector Insertion and Removal Forces	Mate and Unmate connector assemblies at a rate of 12.5 mm per minute. (EIA 364-13)	<u>MAXIMUM Insertion Force :</u> 20 N & <u>MINIMUM Removal Force:</u> 2.5 N [Initial and after 500 cycles]
6	Durability	500 cycles for backplane/blindmate application. All at a maximum rate of 200 cycles per hour. (EIA 364-09)	No Physical damage Meet requirements of additional tests as specified in the test sequence in Section 7.0
7	Component Retention Force	Apply axial pull out force on solder tab in the housing at a rate of 25.4 mm per minute.	Terminal 3.00 N MINIMUM retention force Solder Tab 3.50 N MINIMUM retention force

REVISION:	ECR/ECN INFORMATION:	TITLE:	MICRO SATA RECEPTACLE VERTICAL SMT 1.8INCH SSD/HDD	SHEET No.
A	EC No: S2012-0153 DATE: 2011/08/25			3 of 8
DOCUMENT NUMBER: PS-78492-001		CREATED / REVISED BY: GMENARLY 2011/08/25	CHECKED BY: CGOH 2011/09/06	APPROVED BY: BOKOK 2011/09/06



PRODUCT SPECIFICATION

8	Physical Shock	Subject mated connector to 30 g's half-sine shock pulses of 11 msec duration. Three shocks in each direction applied along three mutually perpendicular planes for a total of 18 shocks. (EIA 364-27 Condition H)	No Physical damage No discontinuities of 1 μ s or longer duration
9	Random Vibration	Subject mated connector to 5.35 g's RMS. 30 minutes in each of the three mutually perpendicular planes. (EIA 364-28 Condition V Test letter A)	No discontinuities of 1 μ s or longer duration

5.3 ENVIRONMENTAL REQUIREMENTS

ITEM	DESCRIPTION	TEST CONDITION	REQUIREMENT
10	Humidity	Subject the connector to temperature and humidity of 40°C at 95% RH for 96 hours. (EIA 364-31 Method II Test Condition A)	No Physical damage Meet requirements of additional tests as specified in the test sequence in Section 7.0
11	Resistance to Soldering Heat	Refer to Section 9.0 for soldering profile	No damage in appearance of connector
12	Solderability	Solder Time : 3 ± 0.5 seconds Solder Temperature : 260 ± 5°C	95% MIN Solder coverage
13	Temperature Life	Subject mated connector to temperature life at +85°C for 500 hours. (EIA 364-17 Test Condition III Method A)	No Physical damage Meet requirements of additional tests as specified in the test sequence in Section 7.0
14	Thermal Shock	Subject connector to 10 cycles between -55°C and +85°C . (EIA 364-32 Test Condition I)	No Physical damage Meet requirements of additional tests as specified in the test sequence in Section 7.0

6.0 PACKAGING

Refer to Sales Drawing SD-78492-001 for packing details.

REVISION: A	ECR/ECN INFORMATION: EC No: S2012-0153 DATE: 2011/08/25	TITLE: MICRO SATA RECEPTACLE VERTICAL SMT 1.8INCH SSD/HDD	SHEET No. 4 of 8
DOCUMENT NUMBER: PS-78492-001	CREATED / REVISED BY: GMENARLY 2011/08/25	CHECKED BY: CGOH 2011/09/06	APPROVED BY: BOKOK 2011/09/06



PRODUCT SPECIFICATION

7.0 TEST SEQUENCES

Test Group →	A	B	C	D	E	F	G
Test or Examination ↓							
Examination of the connector(s)	1, 5	1, 9	1, 8	1, 8	1	1, 5	
Low Level Contact Resistance (LLCR)	2, 4	3, 7	2, 4, 6				
Insulation Resistance				2, 6			
Dielectric Withstanding Voltage				3, 7			
Current Rating			7				
Insertion Force		2				2	
Removal Force		8				4	
Durability	3	4 ^(a)				3 ^(b)	
Physical Shock		6					
Vibration		5					
Humidity				5			
Temperature Life			3				
Reseating (manually unplug/plug three times)			5				
Thermal Shock				4			
Resistance to Soldering Heat					3		
Component Retention Force					2, 4		
Solderability							1
Note – (a) Preconditioning, 20 cycles for the 50-durability cycle requirement, 50 cycles for the 500-durability cycles requirement. The insertion and removal cycle is at the maximum rate of 200 cycles per hour. (b) Backplane Receptacle – 500cycles, Cable Power or Signal Receptacles – 50cycles, Insertion/Removal force of Cable Power Receptacles to be measured for 1 st to 5 th cycles as well. The insertion and removal cycle is at the maximum rate of 200 cycles per hour.							

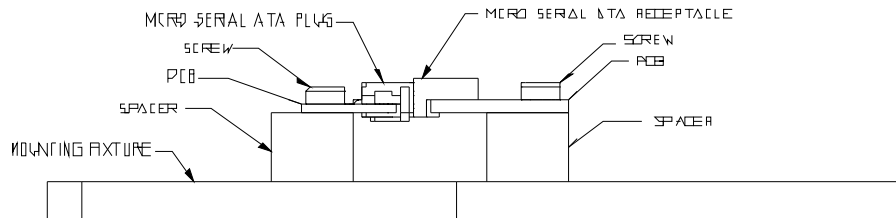
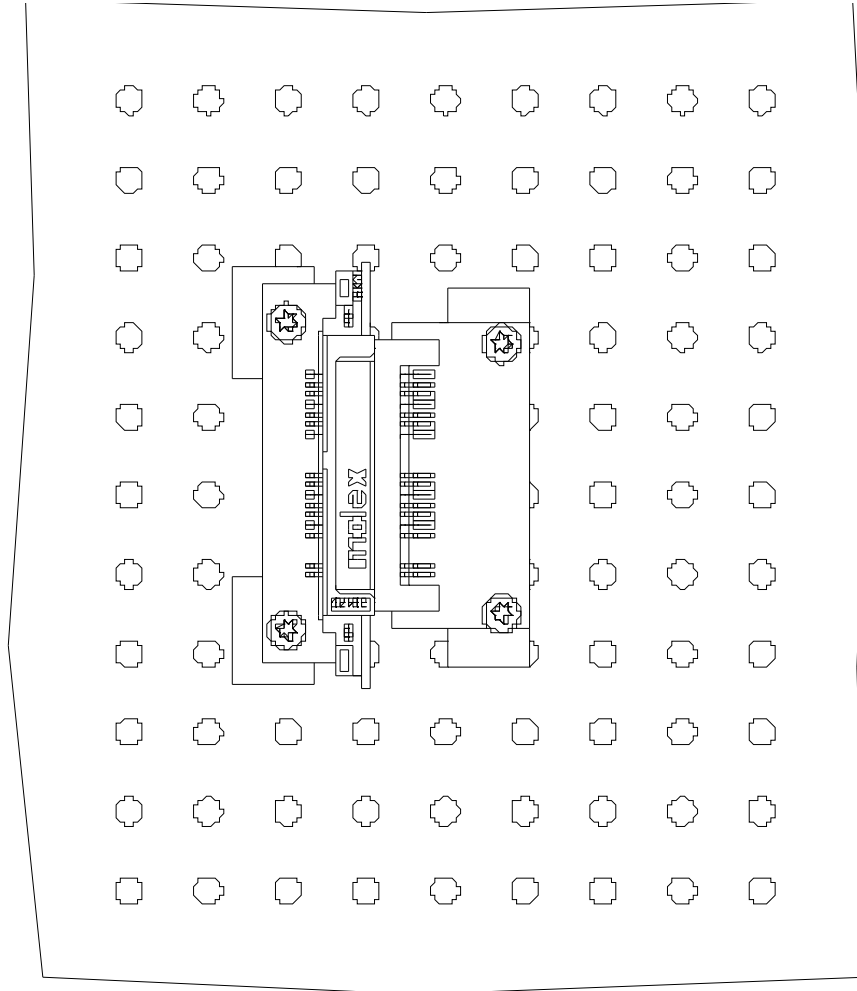
REVISION: A	ECR/ECN INFORMATION: EC No: S2012-0153 DATE: 2011/08/25	TITLE: MICRO SATA RECEPTACLE VERTICAL SMT 1.8INCH SSD/HDD	SHEET No. 5 of 8
DOCUMENT NUMBER: PS-78492-001	CREATED / REVISED BY: GMENARLY 2011/08/25	CHECKED BY: CGOH 2011/09/06	APPROVED BY: BOKOK 2011/09/06



PRODUCT SPECIFICATION

8.0 VIBRATION/SHOCK TEST SET-UP (FOR REFERENCE ONLY)

Micro SATA plug with backplane receptacle



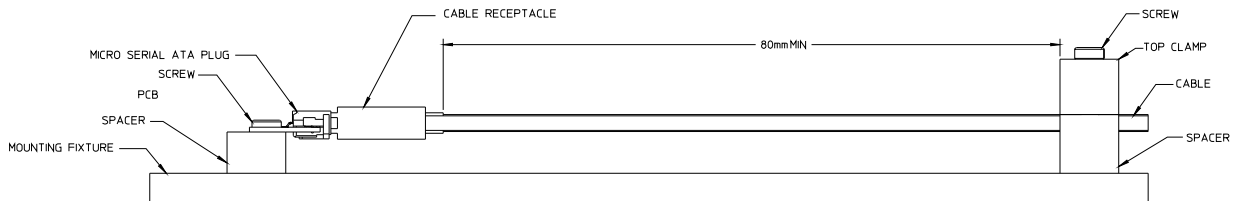
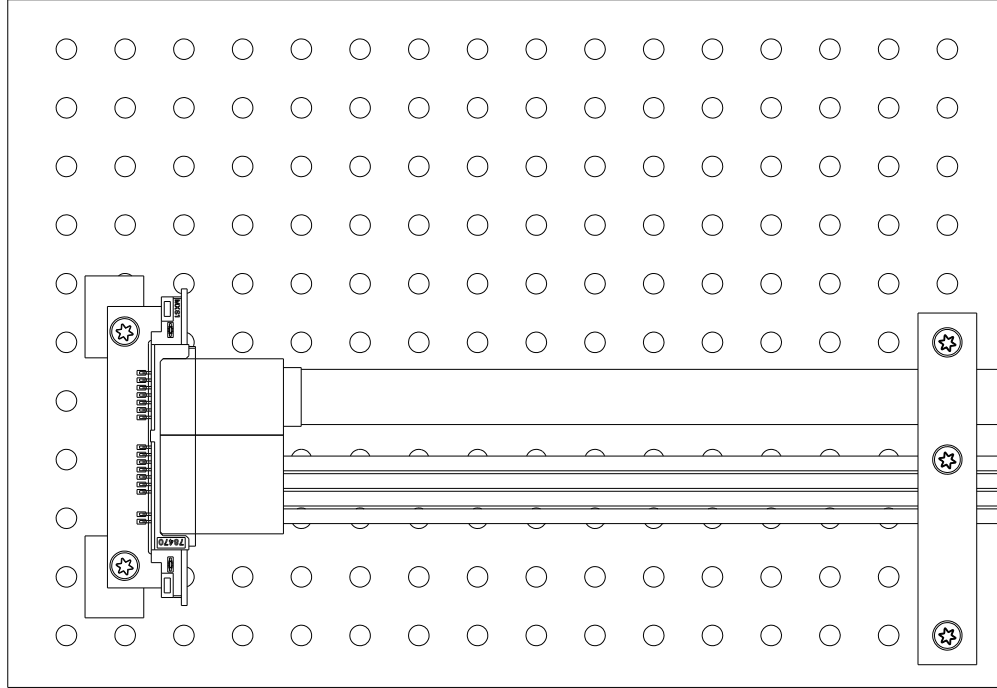
REVISION: A	ECR/ECN INFORMATION: EC No: S2012-0153 DATE: 2011/08/25	TITLE: MICRO SATA RECEPTACLE VERTICAL SMT 1.8INCH SSD/HDD	SHEET No. 6 of 8
DOCUMENT NUMBER: PS-78492-001	CREATED / REVISED BY: GMENARLY 2011/08/25	CHECKED BY: CGOH 2011/09/06	APPROVED BY: BOKOK 2011/09/06



PRODUCT SPECIFICATION

8.0 VIBRATION/SHOCK TEST SET-UP (FOR REFERENCE ONLY)

Micro SATA plug with cable receptacle

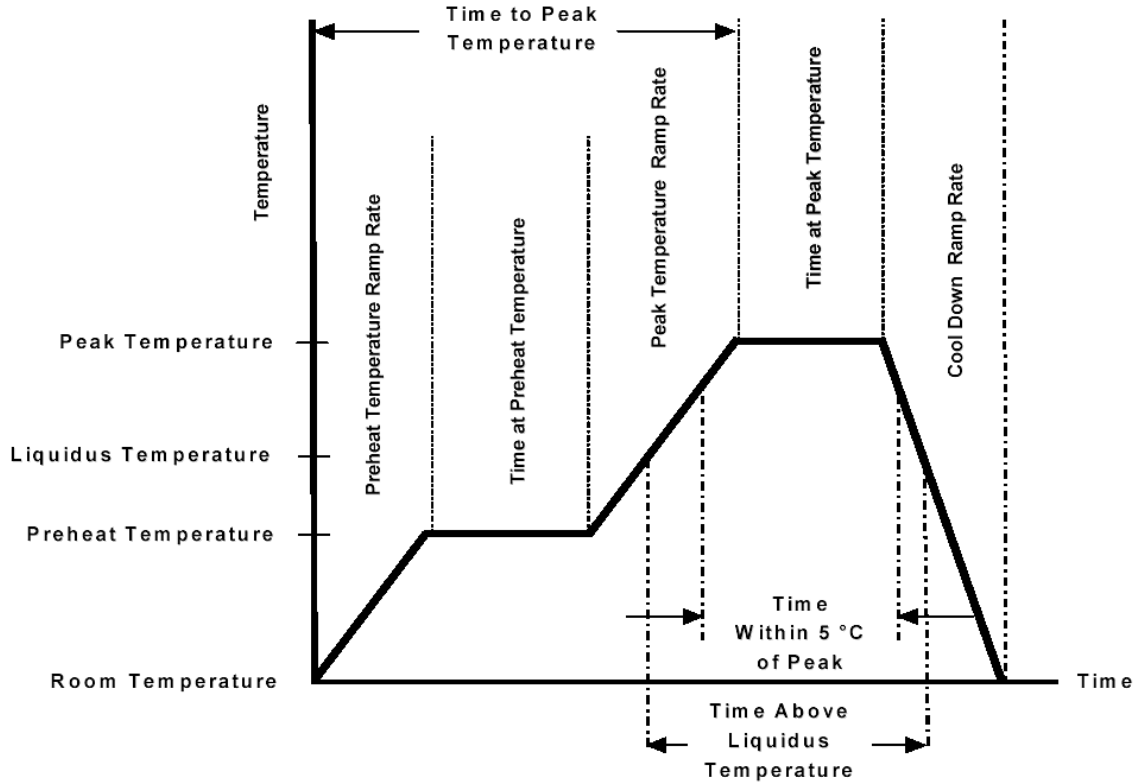


REVISION: A	ECR/ECN INFORMATION: EC No: S2012-0153 DATE: 2011/08/25	TITLE: MICRO SATA RECEPTACLE VERTICAL SMT 1.8INCH SSD/HDD	SHEET No. 7 of 8
DOCUMENT NUMBER: PS-78492-001	CREATED / REVISED BY: GMENARLY 2011/08/25	CHECKED BY: CGOH 2011/09/06	APPROVED BY: BOKOK 2011/09/06



PRODUCT SPECIFICATION

9.0 SOLDERING PROFILE



Description	Requirement
Average Ramp Rate	3°C/sec Max
Preheat Temperature	150°C Min to 200°C Max
Preheat Time	60 to 180 sec
Ramp to Peak	3°C/sec Max
Time over Liquidus (217°C)	60 to 150 sec
Peak Temperature	260 +0/-5°C
Time within 5°C of Peak	20 to 40 sec
Ramp - Cool Down	6°C/sec Max
Time 25°C to Peak	8 min Max

REVISION: A	ECR/ECN INFORMATION: EC No: S2012-0153 DATE: 2011/08/25	TITLE: MICRO SATA RECEPTACLE VERTICAL SMT 1.8INCH SSD/HDD	SHEET No. 8 of 8
DOCUMENT NUMBER: PS-78492-001	CREATED / REVISED BY: GMENARLY 2011/08/25	CHECKED BY: CGOH 2011/09/06	APPROVED BY: BOKOK 2011/09/06