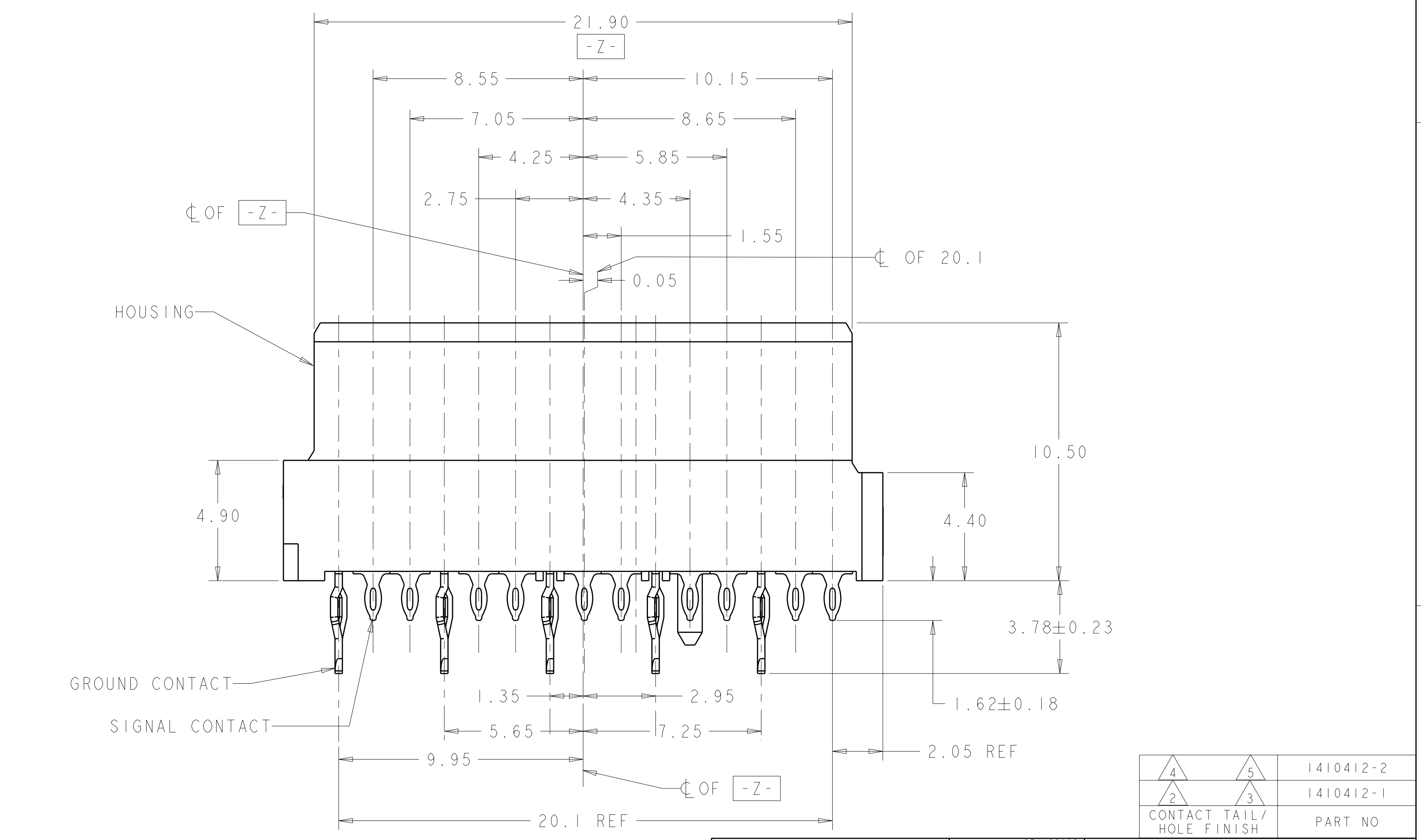
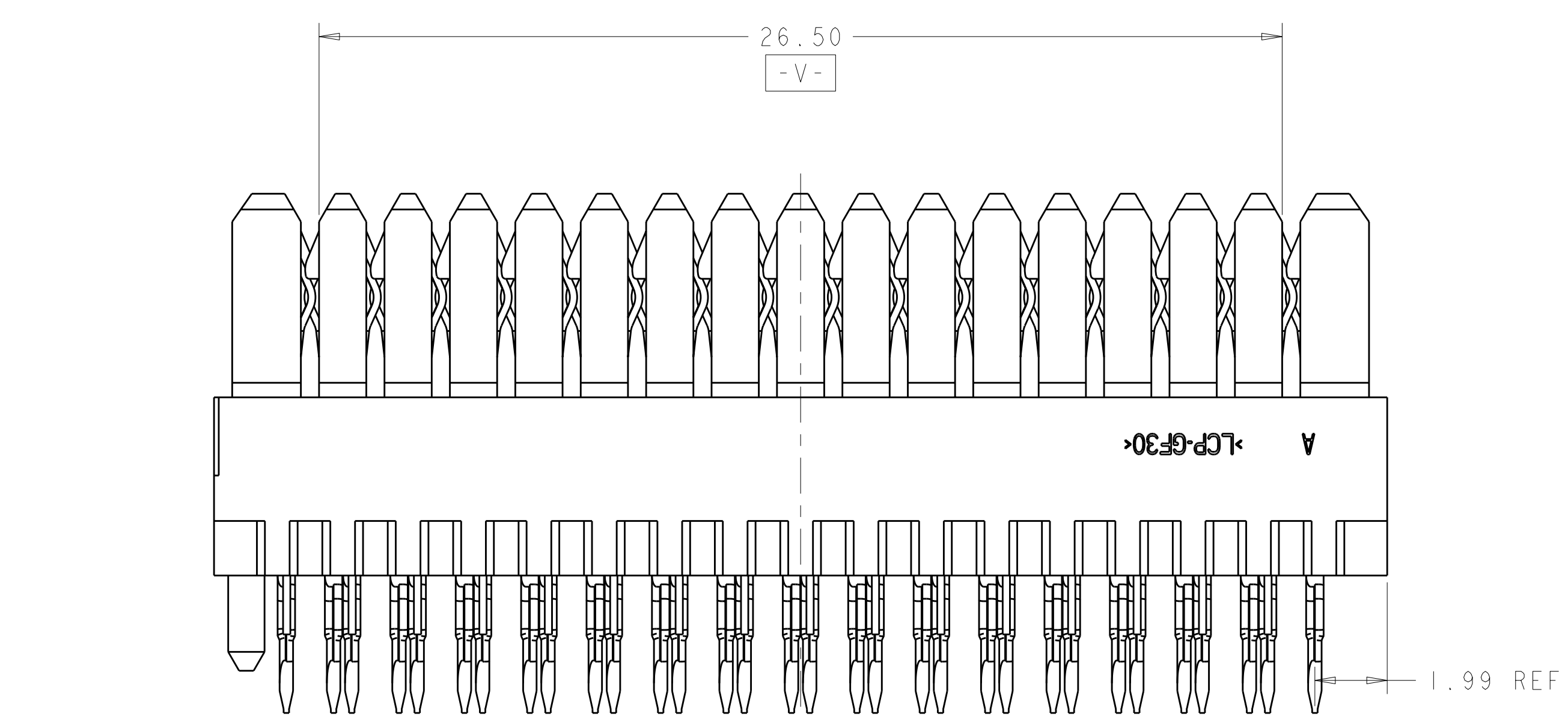
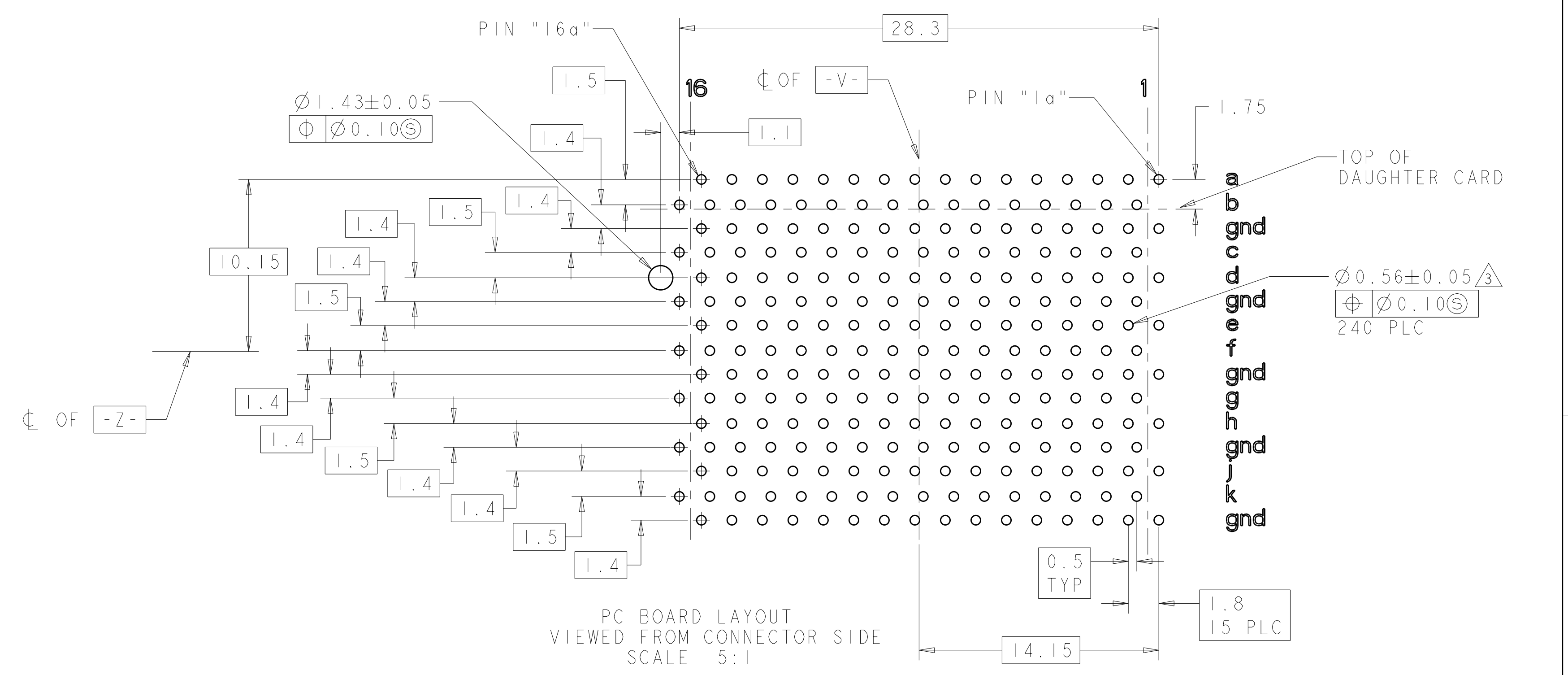
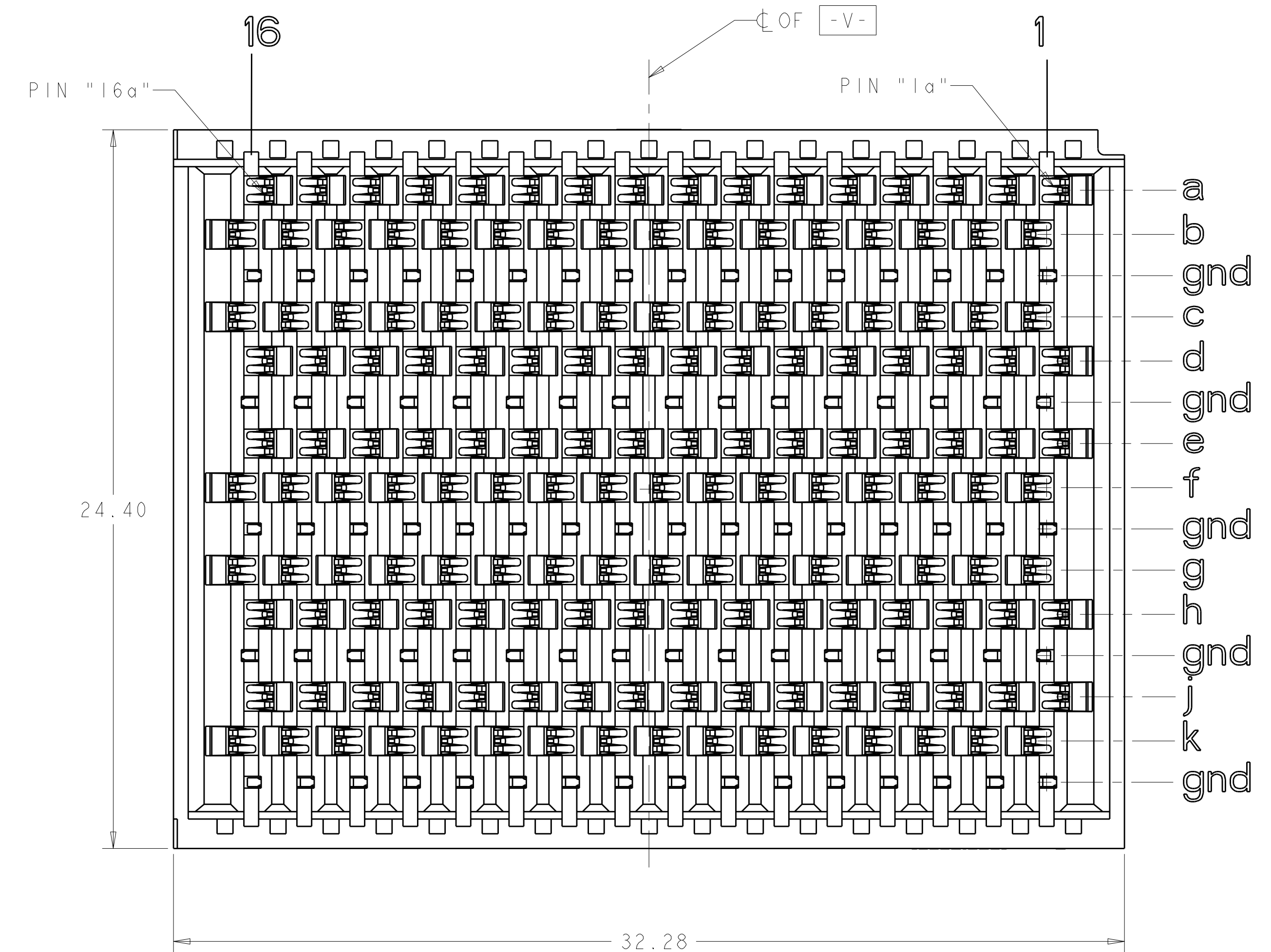


LOC	DIST	REV	DATE	BY	APPD
AD	00				

REVISIONS		DATE	DWN	APPD
C	REVISED PER ECO-11-025619	21MAR2012	KH	AS



- 1 HOUSING: LCP, UL94V-0, BLACK. CONTACT: PHOSPHOR BRONZE.
- 2 1.27µm GOLD PER ASTM B 488 IN CONTACT AREA, 1.27µm MIN TIN-LEAD ON PCB TAIL, OVER 3.81µm MIN NICKEL PER SAE AMS-QQ-N-290 OVER ALL.
- 3 MANUFACTURING TOLERANCE FOR Ø0.56 ±0.05 DIAMETER FINISHED HOLE:
 DRILLED HOLE: Ø0.65 ±0.02
 COPPER PLATING: 0.050 - 0.025
 TIN-LEAD PLATING: 0.0124 - 0.0038.
- 4 1.27 µm GOLD PER ASTM B 488 IN CONTACT AREA, 1.27 µm MIN MATTE TIN PER ASTM B 545 ON PCB TAIL, OVER 3.81 µm MIN NICKEL PER SAE AMS-QQ-N-290 OVER ALL.
- 5 MANUFACTURING TOLERANCE FOR A Ø 0.575 ±0.045 FINISHED HOLE WITHOUT TIN LEAD PLATING:
 DRILLED HOLE: Ø0.65 ±0.02
 COPPER PLATING: 0.025 - 0.050

4	5	1410412-2
2	3	1410412-1
CONTACT TAIL/HOLE FINISH		PART NO

THIS DRAWING IS A CONTROLLED DOCUMENT.

DIMENSIONS:	TOLERANCES UNLESS OTHERWISE SPECIFIED:	DWN	21AUG2002
mm	9 PLC ±0.5	CHK	21AUG2002
	1 PLC ±0.13	D	21AUG2002
	5 PLC ±0.13	APVD	21AUG2002
	4 PLC ±0.13	D	21AUG2002
	ANGLES ±0.1°	NAME	VERTICAL RECEPTACLE ASSEMBLY, STAND ALONE, FULL, 25.4mm, MultiGig RT-1, BACKPLANE CONNECTOR
MATERIAL	FINISH	PRODUCT SPEC	108-2072
		APPLICATION SPEC	114-13056
		SIZE	114-13056
		WEIGHT	
		CUSTOMER DRAWING	

SCALE 8:1 SHEET 1 OF 1 REV C