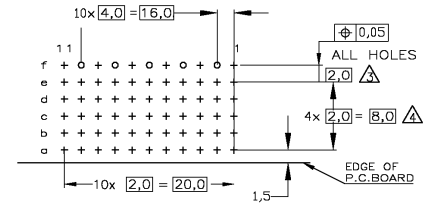
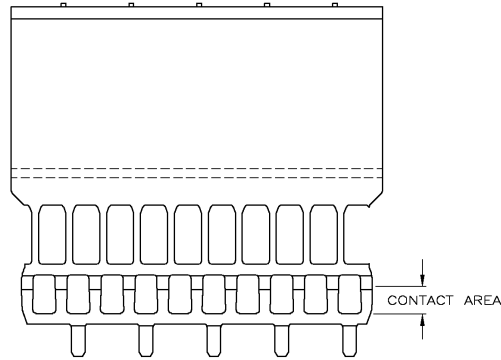
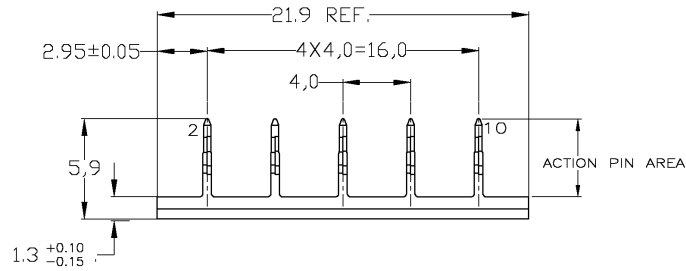
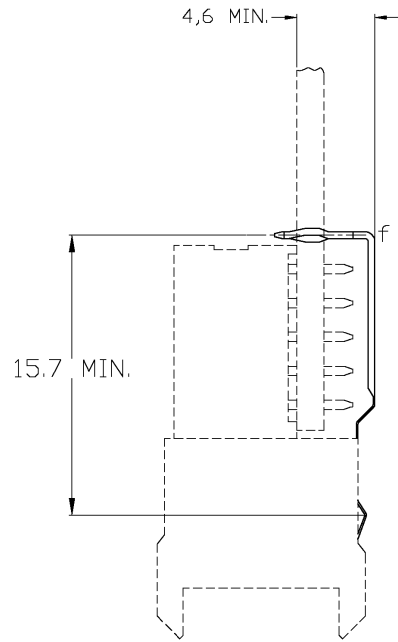


DO NOT SCALE
DIMENSIONS IN mm

METRIC



COMPONENT SIDE AS SHOWN
RECOMMENDED PCB-HOLE LAY-OUT

P.C.B. HOLE DIM. ACTION PIN
FIN. HOLE 0,55 TO 0,65 mm
OTHER REQUIREMENTS SEE APPLICATION SPECIFICATION 114-19029

NOTES:

- △ PLATING:
CONTACT AREA: 0,76µm Au MIN. OVER 1,27µm Ni MIN.
ACTION PIN : 0,5µm TIN MIN.
REMAINDER : Ni
 - △ MATERIAL; PHOSPHORBRONZE.
 - △ ROW "f" 5 PLATED THROUGH HOLES FOR LOWERSHIELD.
 - △ HOLE PATTERN FOR FEMALE CONNECTOR TYPE C WITH UPPERSHIELD, 55+6 PLATED-THROUGH HOLES AT 2x2mm SQUARE GRID.
5 MAX. BOARD THICKNESS 3,5 mm.
 - △ SHIELDS LUBRICATED WITH BELLCORE APPROVED LUBRICANT.
- TECHNICAL REF: TR-NWT-001217 ISSUE 1, SEPT. 1992.

FINISH		MATERIAL		PARTNUMBER
-	-	-	-	352112-9
-	-	-	-	352112-2
CUSTOMER DRAWING				FOR REFERENCE ONLY WILL NOT BE UPDATED
© COPYRIGHT 19 96 BY AMP-HOLLAND B.V. ALL INTERNATIONAL RIGHTS RESERVED. AMP PRODUCTS MAY BE COVERED BY U.S. AND FOREIGN AND/OR PATENTS PENDING.				
THIS DRAWING IS UNPUBLISHED				
RELEASED FOR PUBLICATION				
D	SR10-0117-03	DP	-	20-JUN-03
C	SR10-0293-02	DP	-	10-JUN-02
B	SR10-0518-01	BL	FB	06/12/01
A	EH-1666-99	WdH	FvK	09-11-99
O	EH-0948-96	DT	WvGH	28-11-96
LTR.		REVISION RECORD		DR. CHK. DATE
DR.: D. TRUREN		CHK.: W.v.d. HEIJDEN		APP.: F.v.KONINGSBRUGGE
DATE: 28-11-96		DATE: 28-11-96		DATE: -
DWG.No. C-352112				REV.LTR. D
SHEET 1 of 1				A2