

THIS DRAWING IS UNPUBLISHED. RELEASED FOR PUBLICATION

© COPYRIGHT BY TYCO ELECTRONICS CORPORATION. ALL RIGHTS RESERVED.

LOC GZ DIST 00

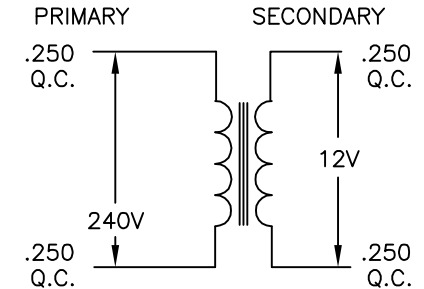
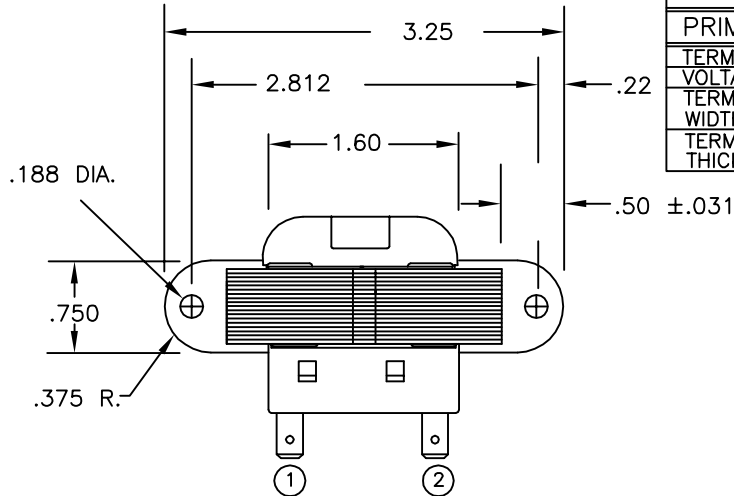
REVISIONS

P	LTR	DESCRIPTION	DATE	DWN	APVD
A		NEW FORMAT & EC0720-0114-04	23FEB04	MD	KH

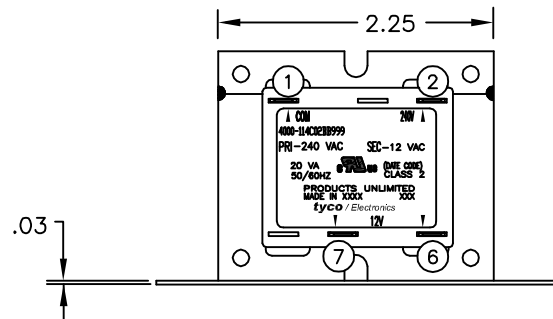
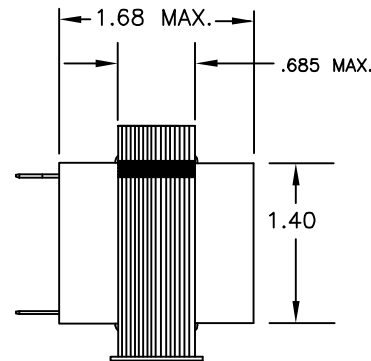
PRIMARY			
TERMINAL NO.	1	2	3
VOLTAGE	COM	240	
TERMINAL WIDTH	.250	.250	
TERMINAL THICKNESS	.032	.032	

- NOTES
1. DIMENSIONS FOR REFERENCE ONLY.
 2. WINDING PROTECTION—INHERENTLY LIMITING

SECONDARY		
TERMINAL NO.	6	7
VOLTAGE	12	VAC
TERMINAL WIDTH	.250	.250
TERMINAL THICKNESS	.032	.032



ALL Q.C. .250 X .032



CUST. NO.	TYCO PART NUMBER
-	6-1611449-1

THIS DRAWING IS A CONTROLLED DOCUMENT.		DWN M.DAVIS 23FEB04	Products Tyco Electronics Corporation	
DIMENSIONS: INCHES		CHK K.HOLSCHUH 23FEB04	Harrisburg, Pa 17105-3608	
TOLERANCES UNLESS OTHERWISE SPECIFIED:		APVD K.HOLSCHUH 23FEB04	NAME TRANSFORMER OUTLINE	
0 PLC ± -	1 PLC ± -	PRODUCT SPEC -	SIZE A3	CAGE CODE 00779
2 PLC ± -	3 PLC ± -	APPLICATION SPEC -	DRAWING NO C=4000-114C02BB999	RESTRICTED TO -
4 PLC ± -	ANGLES ± 1°	WEIGHT -	SCALE NTS	SHEET 1 OF 1
MATERIAL -	FINISH -	CUSTOMER DRAWING	REV A	