

HONEYWELL
PART NUMBER
ZV10B50C01

REV	DATE	DOCUMENT	CHANGED BY	CHECK
B	AUG.04.2009	USING NEW FRAME	ODA	DICK

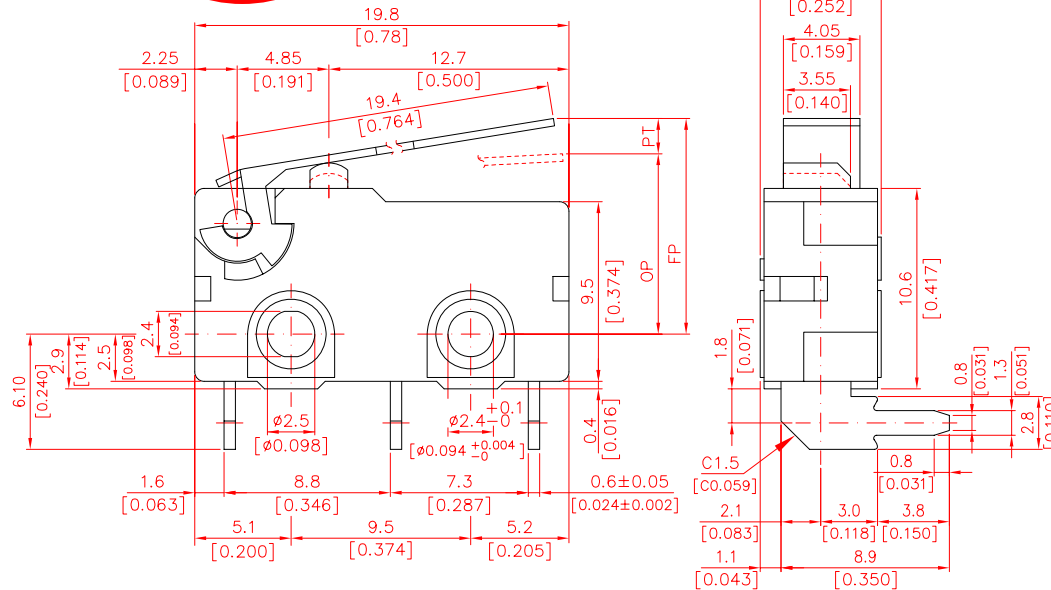


Operation Characteristics

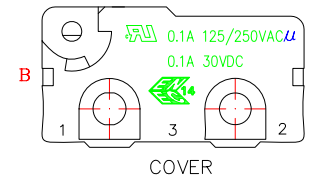
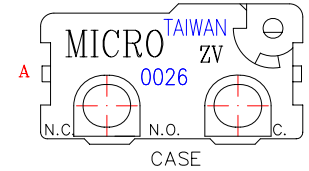
Operating Force (OF)	Max. 20 gf
Releasing Force (RF)	Min. 1 gf
Free Position (FP)	Max. 15.2 mm
Operating Position (OP)	8.9 ± 1.2 mm
Movement Differential (MD)	Max. 0.8 mm
Over-travel (OT)	Min. 1.0 mm
Pre-travel (PT)	Max. 5.1 mm

Specifications

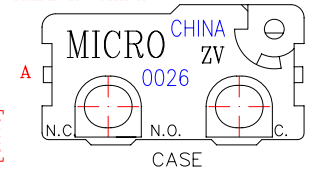
Initial Contact Resistance	Max. 300 mΩ. Before measure the switch contact resistance, please press the switch three times on and off.
Initial Dielectric Strength	1000 VAC(50-60HZ)/minute between live-part and grounding 1500VAC(50-60HZ)/minute between live-parts(LP.) and dead metal parts(DP.).
Insulation Resistance	Min. 100 MΩ (500 VDC/minute)
Circuit Arrangement	SPDT (Single pole double throw)
Rating	0.1A 125/250 VAC; 0.1A 30VDC
Service Life	Min. 1, 000, 000 operations
Rating Load	Resistive Load
Operating Frequency	10-30 operations per minute
Safety certificate	UL, cUL, CE, ENEC14
Mechanical Service Life	Min. 5, 000, 000 operations.
Operating Frequency	Max. 400 operations per minute



MADE IN TAIWAN



MADE IN CHINA



DATE CODE

0026
year week

Date code will be random on A side or B side

Environments

Operating Temperature	-40°C ~ 125°C
Storage Humidity	at 40°C, Max. 85% R.H
Soldering By Hand	350°C maximum within 5 seconds.
Soldering Bath	260°C maximum within 5 seconds.

DESIGN UNITS: MM			
TOLERANCES UNLESS NOTED:			
NO PLACES	X	±	1.000
ONE PLACE	.X	±	0.40
TWO PLACE	.XX	±	0.40
THREE PLACE	.XXX	±	0.40
ANGLES	X	±	3.0°
THIRD ANGLE PROJECTION			

APPROVAL	CHECK	DRAWN
DICK	DANNY	ODA
THIS DRAWING COVERS A PROPRIETARY ITEM AND IS THE PROPERTY OF HONEYWELL. THIS DRAWING IS NOT TO BE COPIED OR USED WITHOUT THE PERMISSION OF HONEYWELL.		
INTERPRET PER ASME Y14.5M-1994 OTHER HONEYWELL ENGINEERING STANDARDS MAY APPLY		
AUTOCAD		

Honeywell				
TITLE SWITCH				
SIZE	TYPE	CAGE CODE	DRAWING NAME	REV
A4	-	-	ZV10B50C01	B
SCALE 2.5 : 1			SHEET	1 OF 1