

MATERIALS AND FINISHES

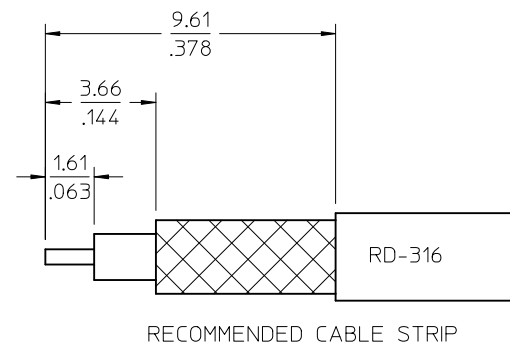
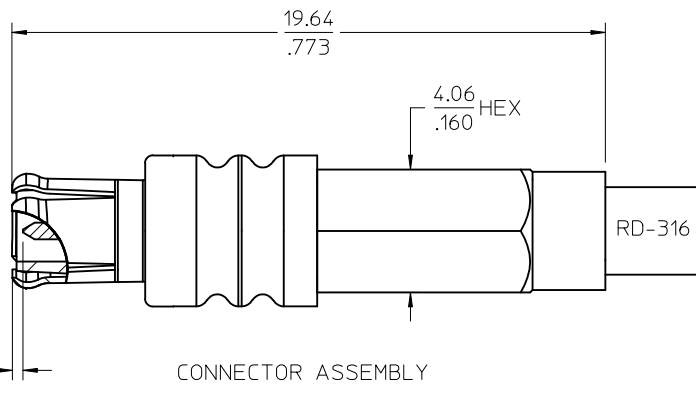
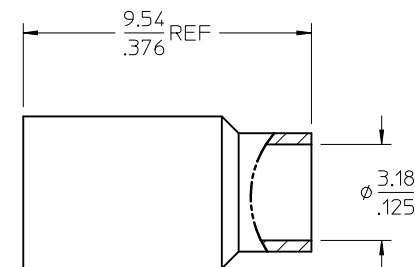
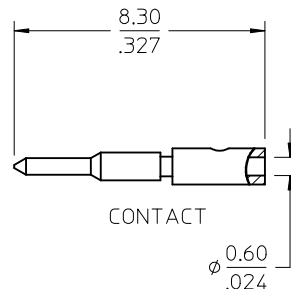
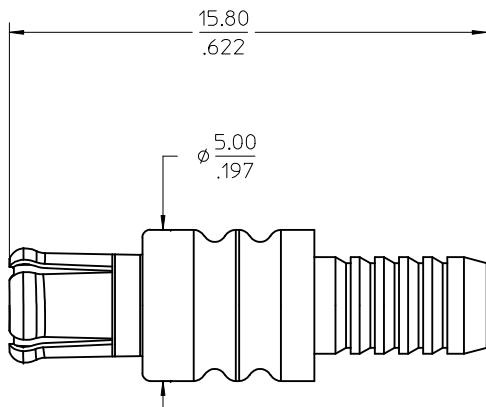
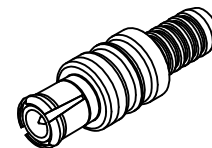
BODY: ZINC ALLOY
PLATED SEE TABLE

OUTER CONTACT: BERYLLIUM COPPER
PLATED SEE TABLE

CENTER CONTACT: BRASS
PLATED GOLD

CRIMP TUBE: BRASS
PLATED NICKEL

INSULATOR: TEFLON



4	73415-2243	GENERAL, BODY (NICKEL), OC (NICKEL)
3	73415-2242	GENERAL, BODY (NICKEL), OC (GOLD)
2	73415-2241	SMALL TRAY BODY (GOLD), OC (GOLD)
1	73415-2240	GENERAL, BODY (GOLD), OC (GOLD)
	PART NO.	PACKAGING / PLATING

CECC-22-220	INTERFACE MCX
PS-89675-1830	ELEC/MECH PERFORMANCE
SPECIFICATION	DESCRIPTION

CHG: UPDATE STRIPS EC NO: URF2012-0589 DRWN:JWIENER 2012/04/09 CHKD:SSS 2012/04/09 APPR:JWIENER 2012/04/09	DESCRIPTION
	REV
	D3

QUALITY SYMBOLS	▼=0 ▽=0
-----------------	------------

GENERAL TOLERANCES (UNLESS SPECIFIED)	mm	INCH
4 PLACES ±	---	---
3 PLACES ±	---	---
2 PLACES ±	---	---
1 PLACE ±	---	---
ANGULAR ± 2 °		
DRAFT WHERE APPLICABLE MUST REMAIN WITHIN DIMENSIONS		

DIMENSION STYLE		SCALE	DESIGN UNITS	THIRD ANGLE PROJECTION
MM/IN			METRIC	
DRAWN BY	DATE	TITLE		
TEF	2000/06/22	MCX PLUG STR RD316		
CHECKED BY	DATE	50 OHM		
SSS	2000/06/22	MCX-PC		
APPROVED BY	DATE			
SSS	2000/06/22			
MATERIAL NO.	DOCUMENT NO.			
SEE TABLE	SD-73415-224			
SIZE	THIS DRAWING CONTAINS INFORMATION THAT IS PROPRIETARY TO MOLEX INCORPORATED AND SHOULD NOT BE USED WITHOUT WRITTEN PERMISSION			

MATERIAL NO.		DOCUMENT NO.	SHEET NO.
SEE TABLE		SD-73415-224	1 OF 1