

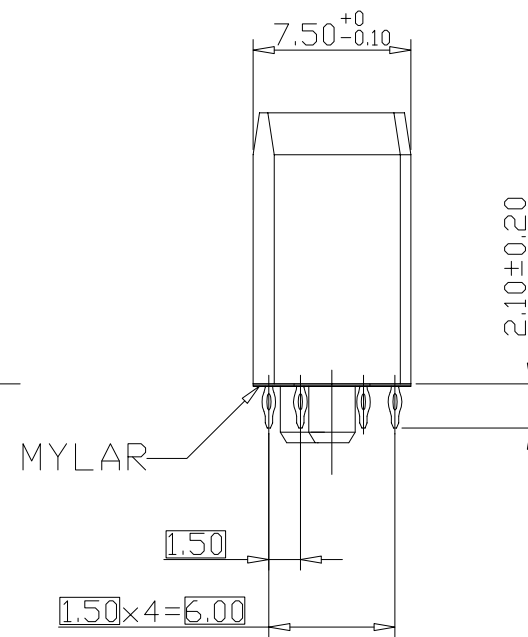
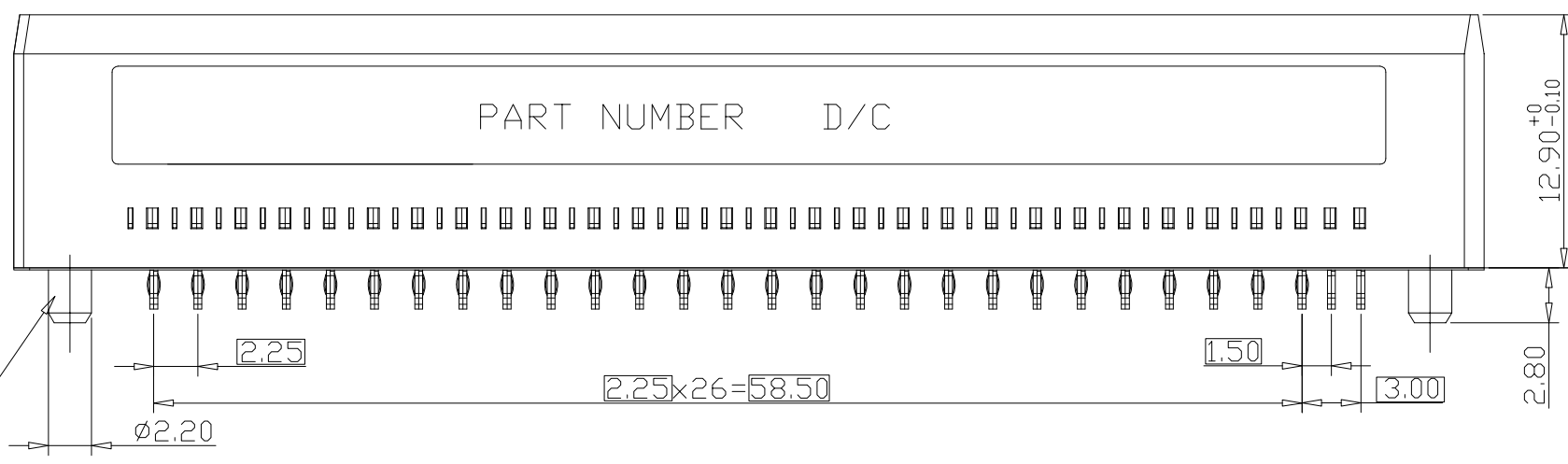
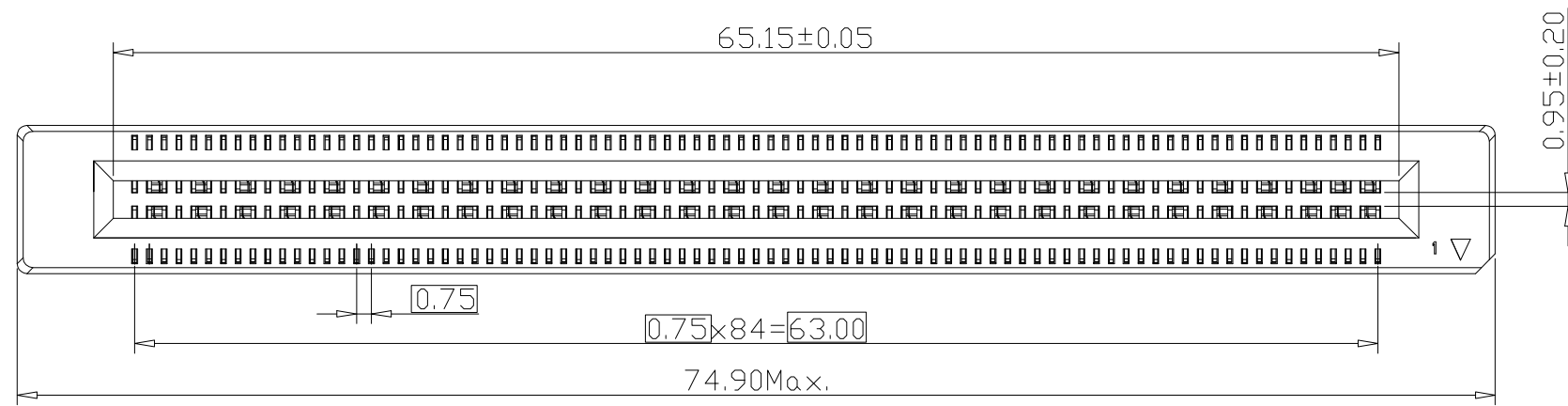
3M™ MEZZANINE CARD CONNECTOR FOR MicroTCA APPLICATIONS

NOTE:

- MATERIAL:**
HOUSING-HIGH TEMPERATURE THERMOPLASTIC
RATED UL94V-0,
COLOR:BLACK.
CONTACTS:COPPER ALLOY.
MYLAR:POLYETHYLENE TEREPHTHALATE.
- PLATING:** KR
FINISH: MATING AREA- 0.76um Au
COMPLIANT PIN AREA- 2.54um MATTE Sn
1.27um MIN Ni ALL OVER
- PCB BOARD FINISHED DIAMETER ϕ 0.55 \pm 0.05MM,
THICKNESS: 1.4mm MIN.
- CONNECTOR MARKED WITH PART
NUMBER AND DATE CODE.
- SEE THE REGULATORY INFORMATION APPENDIX
(RIA) IN THE "ROHS COMPLIANCE" SECTION
OF: WWW.3MCONNECTOR.COM FOR COMPLIANCE
INFORMATION (RIA E1 & C1 APPLY).
- FOR PRODUCT SPECIFICATION AND
WARRANTY INFORMATION SEE
78-5102-0084-9
- IN THE EVENT OF CONFLICT BETWEEN THIS DATA
AND THAT CONTAINED IN THE PRODUCT SPEC.,
THE PRODUCT SPEC. TAKES PRECEDENT.
- TEMPERATURE RATING: -55 TO +105C
- PART NO:

DESCRIPTION	STRUCTURE
1P00-2000-KR	WITHOUT ALIGNMENT POST
1P00-2001-KR	WITH ALIGNMENT POST

10. 85 POSITIONS, TWO ROWS, 0.75 MM PITCH.



PCB LAYOUT

DESIGN REFERENCE		NEXT ASSEMBLY		REV	ECO	ISSUE DATE AND DESCRIPTION	DRFT	CHKD										
DISTRIBUTION CODES				ML		10/5/10	MEG											
DIVISION		DIVISION CODE		DRFT	DATE	DATE	DATE	DATE										
DO NOT SCALE DRAWING		SCALE		CHKD	DATE	APPVL	DATE	DATE										
THIRD ANGLE PROJECTION		TOLERANCES EXCEPT AS NOTED		<table border="1"> <tr> <td>INCHES</td> <td>.0 ±</td> <td>.00 ±</td> <td>.000 ±</td> <td>.0000 ±</td> </tr> <tr> <td>MILLIMETERS</td> <td>0 ± *</td> <td>.0 ± 0.30</td> <td>.00 ± 0.20</td> <td>.000 ± 0.10</td> </tr> </table>					INCHES	.0 ±	.00 ±	.000 ±	.0000 ±	MILLIMETERS	0 ± *	.0 ± 0.30	.00 ± 0.20	.000 ± 0.10
INCHES	.0 ±	.00 ±	.000 ±	.0000 ±														
MILLIMETERS	0 ± *	.0 ± 0.30	.00 ± 0.20	.000 ± 0.10														
INTERPRET PER ASME Y14.5 - 1994		MAX SURFACE ROUGHNESS		CAGE NUMBER		DRAWING NO.		REV.										
<input type="checkbox"/> ALL SURFACES <input checked="" type="checkbox"/> MARKED ONLY		<input type="checkbox"/> ANGLES ± 1°		3M 3M Center St. Paul, MN 55144		78-5100-2368-8		D										
				MODEL		DET. LISTS		SHT 1 OF 1										

© 3M COPYRIGHT. This document is the copyrighted property of the 3M Company and may not be reproduced without 3M written permission or used for other than 3M authorized purposes.

1P00-200X-KR MicroTCA AMC MEZZANINE CARD CONNECTOR