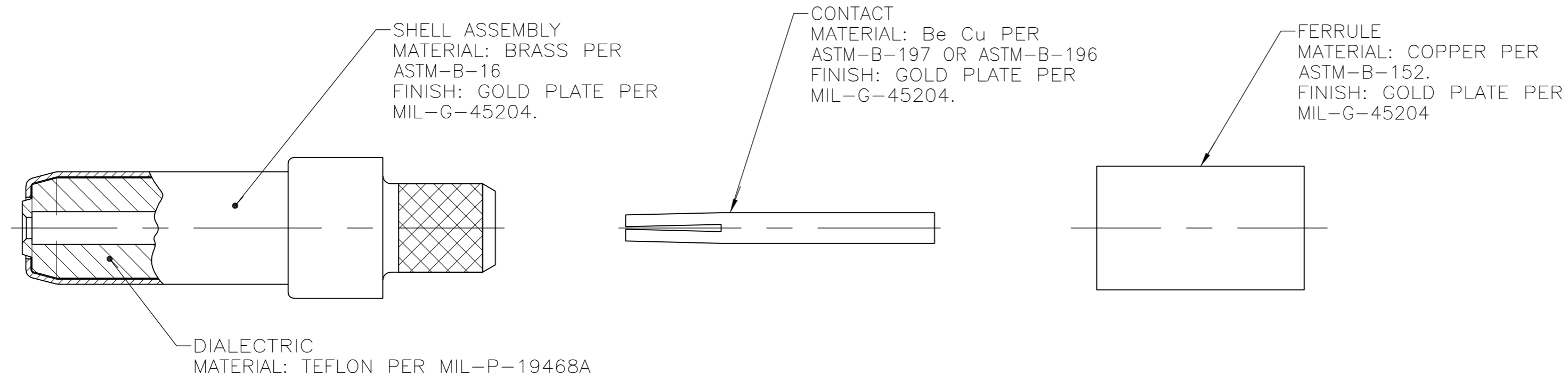
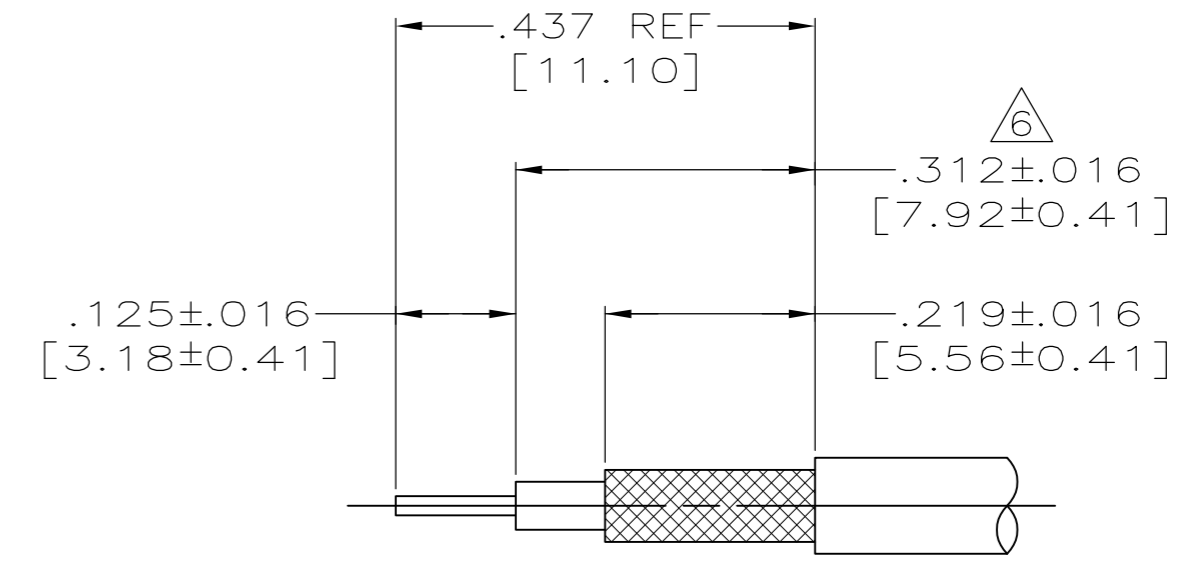
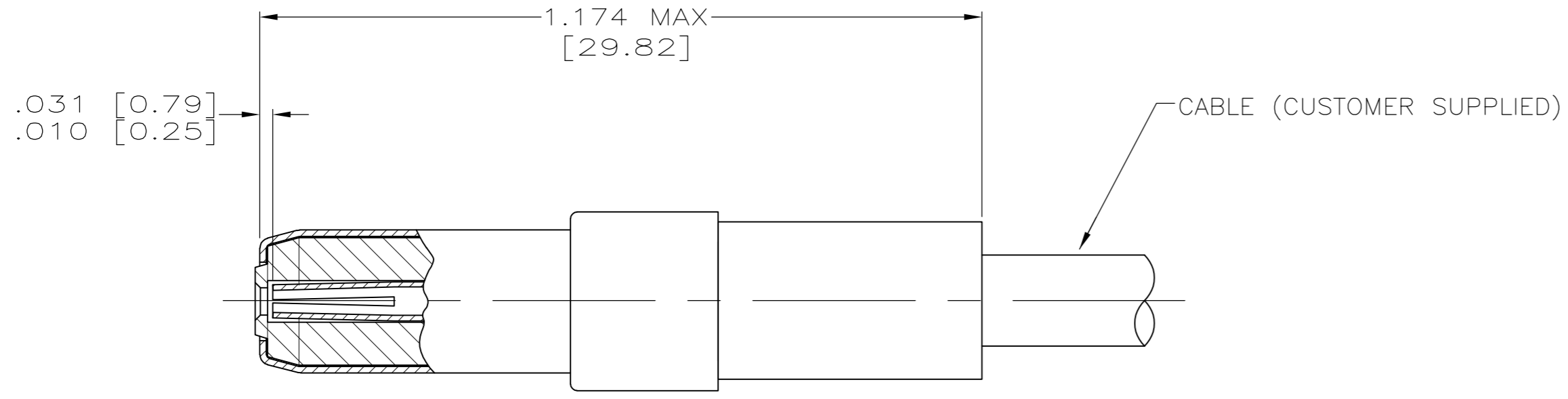


THIS DRAWING IS UNPUBLISHED. RELEASED FOR PUBLICATION
 © COPYRIGHT BY TYCO ELECTRONICS CORPORATION. ALL INTERNATIONAL RIGHTS RESERVED.

LOC	DIST	REVISIONS					
DF	X0	P	LTR	DESCRIPTION	DATE	DWN	APVD
		H		REV PER ECO-08-029134	01JUN10	PY	JG

ASSEMBLED VIEW



- FOR USE WITH RG-188/U, 180/AU, 180/BU, 195/U OR 195/AU CABLE.
 - FERRULE CRIMPING TOOL: 220066-2, CRIMP C OR 220009-1 OR 220066-1, CRIMP C.
 - CONTACT CRIMPING TOOL: M22520/2-01 OR AMP TOOL NUMBER 601966-1, SETTING NUMBER 5. DANIELS POSITIONER PART NO. K345 OR AMP TOOL NO. 1-601966-6.
 - SEE I.S.2348.
 - DANIELS MANUFACTURING CORP
 2266 FRANKLIN ROAD
 BLOOMFIELD HILLS, MI 48013
- △ OUTER JACKET OF CABLE MUST BE TRIMMED TO ALLOW PROPER INTER-PIN CONTACT LOCATION AFTER FERRULE CRIMP OPERATION.
- PARTS SHIPPED UNASSEMBLED AND CABLE IS SUPPLIED BY CUSTOMER.

225790-4
 PART NO.

THIS DRAWING IS A CONTROLLED DOCUMENT.		DWN C.C.THOMAS 9-12-94	Tyco Electronics Corporation Harrisburg, PA 17105-3608																			
DIMENSIONS: INCHES		CHK J.CABARLO 9-23-94	NAME CONNECTOR, COAXIAL, RF PIN SIZE 5, ARINC																			
TOLERANCES UNLESS OTHERWISE SPECIFIED:		APVD -	PRODUCT SPEC -	APPLICATION SPEC -																		
MATERIAL SEE CALLOUTS		FINISH SEE CALLOUTS	WEIGHT -	SCALE 5:1																		
<table border="1"> <tr> <td>0 PLC</td><td>±</td><td>-</td></tr> <tr> <td>1 PLC</td><td>±</td><td>-</td></tr> <tr> <td>2 PLC</td><td>±</td><td>-</td></tr> <tr> <td>3 PLC</td><td>±</td><td>-</td></tr> <tr> <td>4 PLC</td><td>±</td><td>-</td></tr> <tr> <td>ANGLES</td><td>±</td><td>-</td></tr> </table>		0 PLC	±	-	1 PLC	±	-	2 PLC	±	-	3 PLC	±	-	4 PLC	±	-	ANGLES	±	-	SIZE A2	CAGE CODE 00779	DRAWING NO 225790-4
0 PLC	±	-																				
1 PLC	±	-																				
2 PLC	±	-																				
3 PLC	±	-																				
4 PLC	±	-																				
ANGLES	±	-																				
CUSTOMER DRAWING		RESTRICTED TO -	SHEET 1 of 1	REV H																		