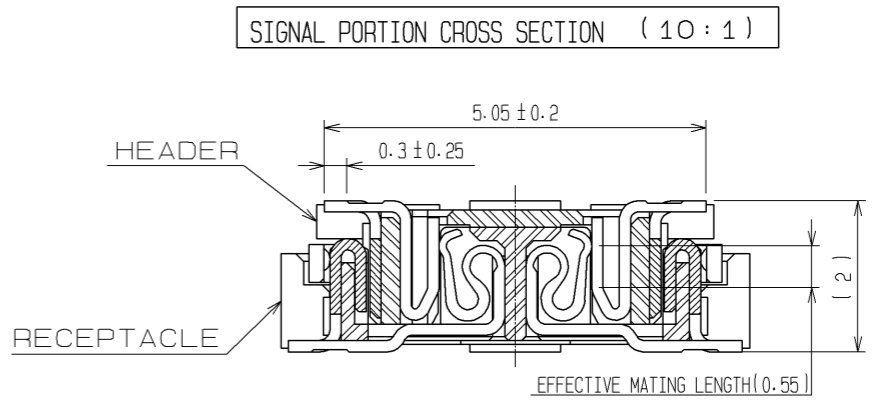
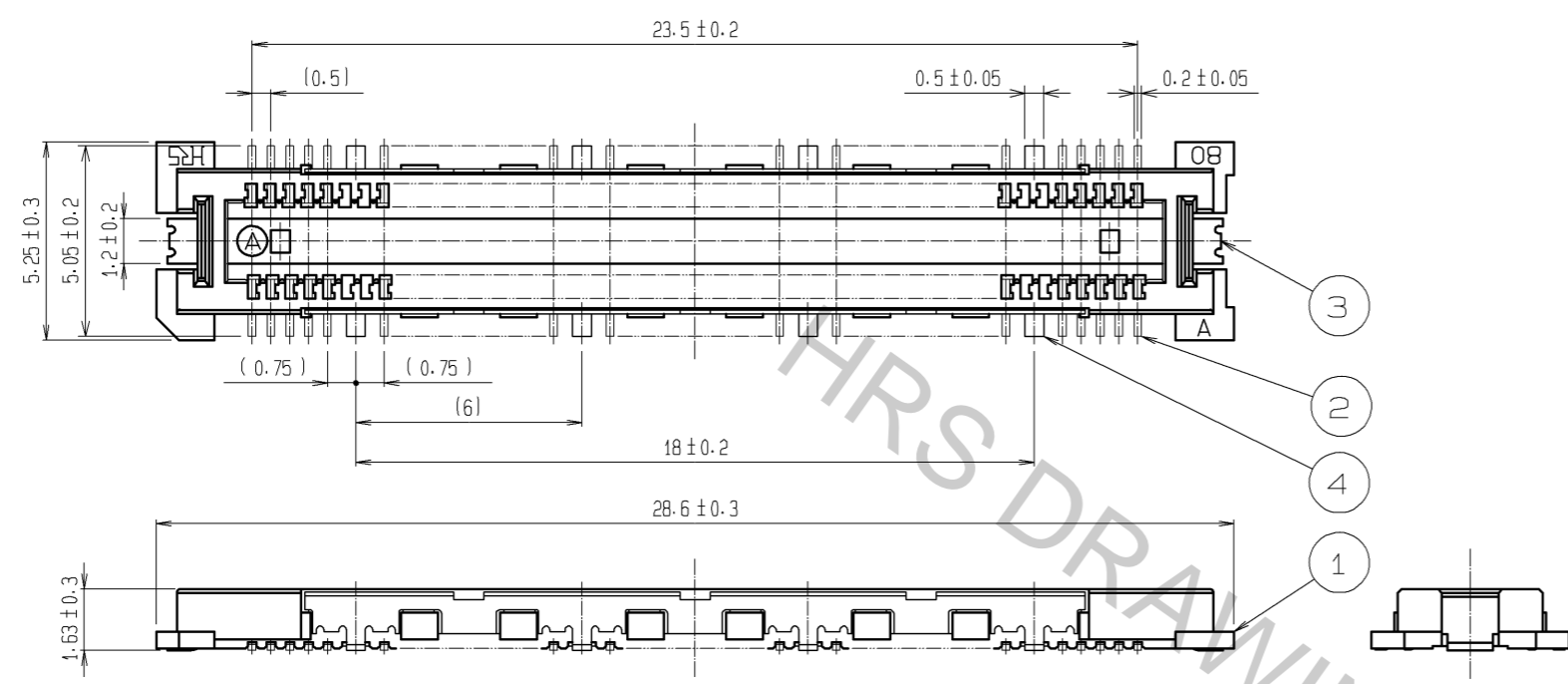
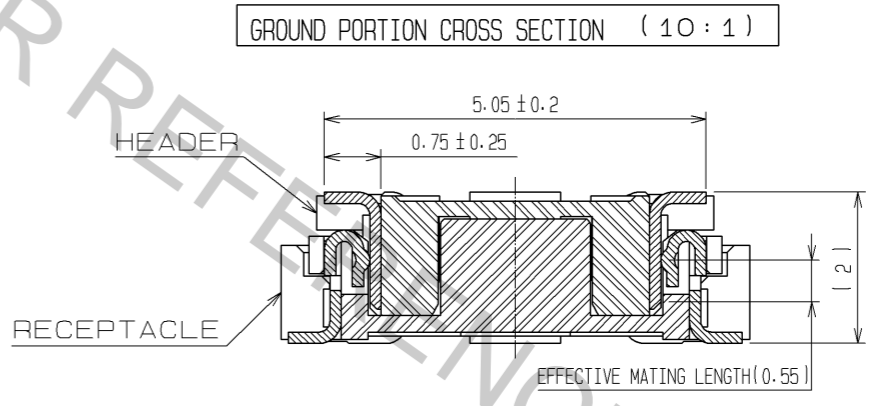
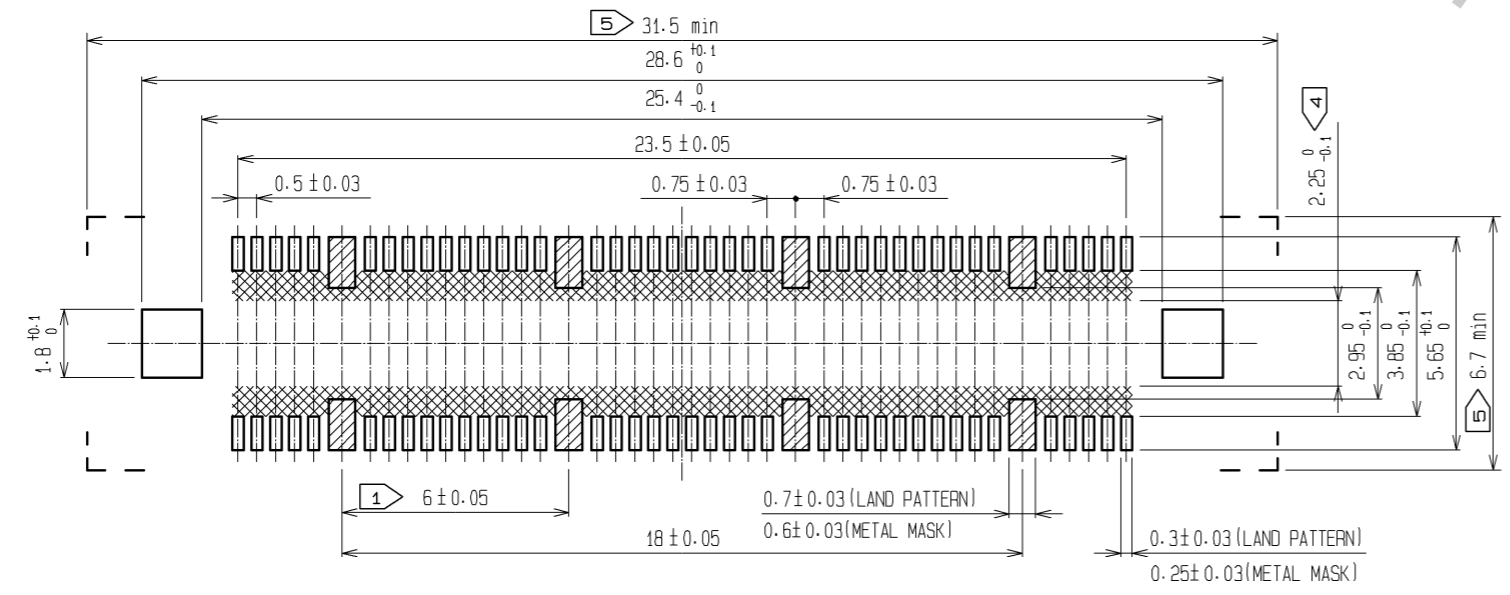


Apr.1.2017 Copyright 2017 HIROSE ELECTRIC CO., LTD. All Rights Reserved.



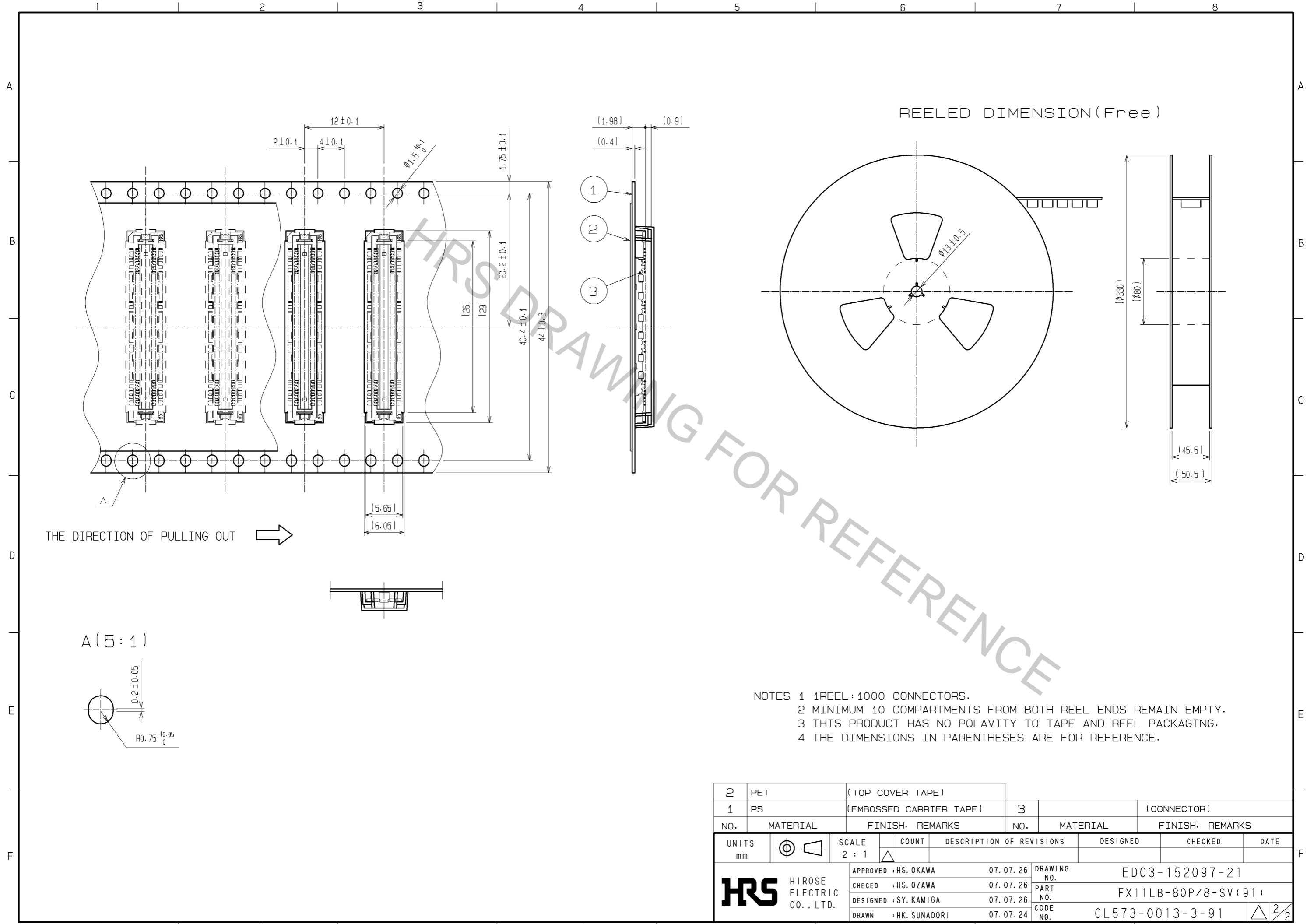
RECOMMENDED LAND PATTERN DIMENSION OF PCB



- NOTES
- ① 8 HATCHED PARTS: GROUND CIRCUIT.
 - ② SMT LEAD-COPLANARITY: 0.1 MAX.
 - ③ THIS PRODUCT HAS NO POLARITY TO PATTERN FOR MOUNTING.
 - ④ MAKE SURE WIDTH OF PATTERN IS WITHIN THAT OF LAND, OR LEAD MAY TOUCH PATTERN. (THIS APPLIES TO HATCHED AREA.)
 - ⑤ DO NOT MOUNT OTHER DEVICES ONTO AREA, OR MATING PAIR CANNOT BE MATED.
 - ⑥ TO BE EMBOSSED CARRIER TAPED AS SPECIFIED IN SHEET 2.
 - ⑦ THE DIMENSIONS IN PARENTHESES ARE FOR REFERENCE.

1	LCP	BEIGE	UL94V-0	4	PHOSPHOR BRONZE	TIN PLATING
NO.	MATERIAL	FINISH	REMARKS	NO.	MATERIAL	FINISH
				3	PHOSPHOR BRONZE	TIN PLATING
				2	COPPER ALLOY	CONTACT AREA : GOLD 0.1µm min. LEAD AREA : GOLD FLASH UNDER PLATING : NICKEL 1µm min.

UNITS		SCALE	COUNT	DESCRIPTION OF REVISIONS	DESIGNED	CHECKED	DATE
mm		5 : 1					
APPROVED : HS. OKAWA				07.07.26	DRAWING NO. EDC3-152097-21		
CHECKED : HS. OZAWA				07.07.26	PART NO. FX11LB-80P/8-SV(91)		
DESIGNED : SY. KAMIGA				07.07.26	CODE NO. CL573-0013-3-91		
DRAWN : HK. SUNADORI				07.07.24			



REELED DIMENSION(Free)

THE DIRECTION OF PULLING OUT →

A(5:1)

- NOTES 1 1REEL : 1000 CONNECTORS.
 2 MINIMUM 10 COMPARTMENTS FROM BOTH REEL ENDS REMAIN EMPTY.
 3 THIS PRODUCT HAS NO POLAVITY TO TAPE AND REEL PACKAGING.
 4 THE DIMENSIONS IN PARENTHESES ARE FOR REFERENCE.

2	PET	(TOP COVER TAPE)			
1	PS	(EMBOSSD CARRIER TAPE)	3		(CONNECTOR)
NO.	MATERIAL	FINISH, REMARKS	NO.	MATERIAL	FINISH, REMARKS
UNITS	mm	SCALE	2:1	COUNT	DESCRIPTION OF REVISIONS
		DESIGNED		CHECKED	DATE
APPROVED : HS. OKAWA		07.07.26	DRAWING NO.		EDC3-152097-21
CHECKED : HS. OZAWA		07.07.26	PART NO.		FX11LB-80P/8-SV(91)
DESIGNED : SY. KAMIGA		07.07.26	CODE NO.		CL573-0013-3-91
DRAWN : HK. SUNADORI		07.07.24			2/2