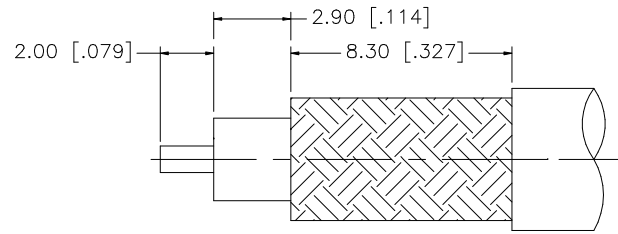
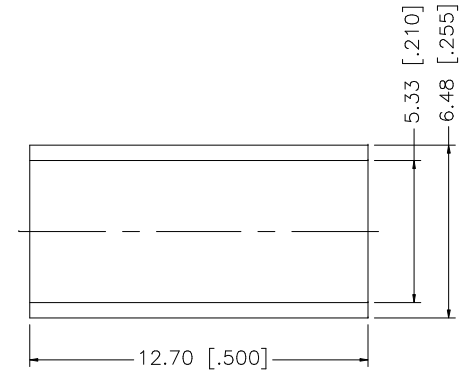
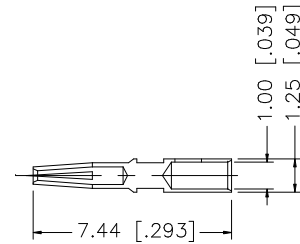
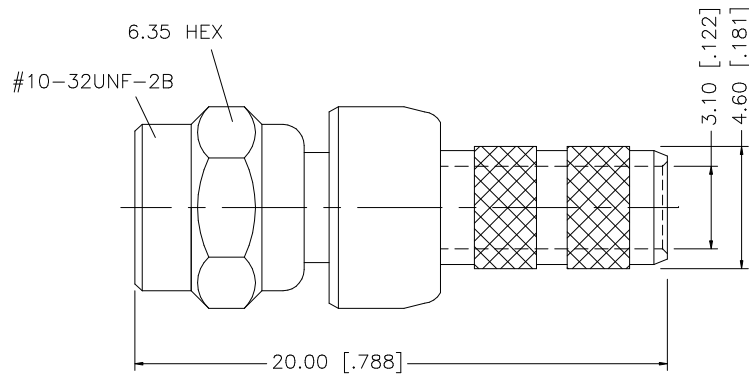


REV.	DATE	DESCRIPTION
NC	12/09/03	INITIAL RELEASE



RECOMMENDED CABLE STRIPPING DIMS.



CRIMP NOTES:

1. CRIMPED FERRULE  
HEX CRIMP SIZE .213"
2. CONTACT PIN TO SOLDER

8					UNLESS OTHERWISE SPECIFIED DIMENSIONS ARE IN MILLIMETERS. DIMENSIONS IN [ ] ARE IN INCHES AND FOR CUSTOMER REFERENCE ONLY.	APPROVALS	DATE	<b>Amphenol Connex</b>		
7						DRAWN	G.R.S.			
6					UNLESS OTHERWISE SPECIFIED TOLERANCES FOR MILLIMETERS ARE: 0.5 - 8mm ± 0.20mm 8 - 30mm ± 0.40mm 30 - 120mm ± 0.50mm	CHECKED		PART DESCRIPTION <b>SMC CRIMP PLUG (FOR RG-58/U CABLE)</b>		
5						ISSUED				
4	FERRULE	COPPER	GOLD	1	UNLESS OTHERWISE SPECIFIED TOLERANCES FOR INCHES ARE: .020 - .315 = ± 0.007" .315 - 1.180 = ± 0.015" 1.180 - 4.724 = ± 0.020"	SHEET	1 OF 1	PART NO. <b>152134</b>		
3	CONTACT PIN	BER. COPPER	GOLD	1						
2	INSULATOR	TEFLON	NATURAL	1				DWG. NO. 152134.DWG		
1	BODY	BRASS	GOLD	1						
	DESCRIPTION	MATERIAL	FINISH	QTY	DO NOT SCALE DRAWING	CAD FILE C:/152/152134.DWG				