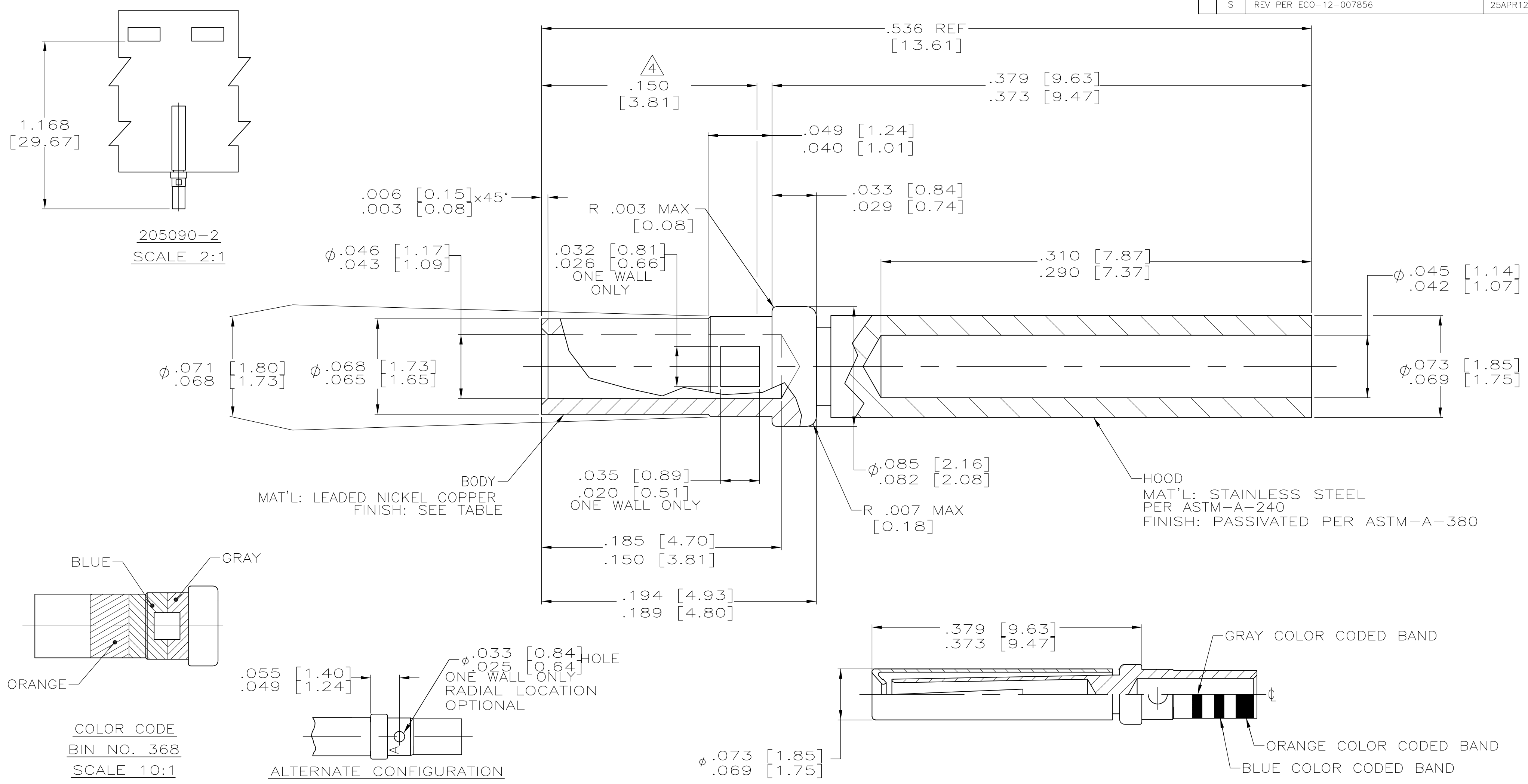


LOC		DIST		REVISIONS			
DF	DO	P	LTR	DESCRIPTION	DATE	DWN	APVD
		S		REV PER ECO-12-007856	25APR12	PY	RL



- ALL DIMENSIONS APPLY AFTER PLATING.
- THIS DRAWING COMPLIES WITH SPECIFICATION MIL-C-39029/63 AND M24308/10-1.
- ALL DIAMETERS CONCENTRIC WITH EACH OTHER WITHIN .004 T.I.R.
- POINT OF PLATING MEASUREMENT .150 [3.81] FROM WIRE BARREL END OF CONTACT.
- ALL SURFACES HAVE $\sqrt{63}$ OR BETTER FINISH.
- GOLD PLATED PER ASTM-B-488 TYPE 2, GRADE C, CLASS 1.25 OVER NICKEL PER QQ-N-290 IN MATING AREAS. GOLD PLATED PER ASTM-B-488 OVER NICKEL PER QQ-N-290 IN NON MATING AREAS.
- GOLD PLATED PER ASTM-B-488 TYPE 3, GRADE C, CLASS .75 OVER NICKEL PER QQ-N-290.
- SLEEVE MAY BE CRIMPED, DIMPLED OR PRESS FIT TO BODY
- MANUFACTURER'S LOGO ("A" OR "- . .") LOCATION OPTIONAL.

SUPERSEDED BY 1218267-3	NO	∇	LOOSE PIECE	205090-7
	YES	∇	TAPE MOUNTED	205090-2
	YES	∇	LOOSE PIECE	205090-1
COLOR CODE	FINISH	DESCRIPTION	PART NUMBER	

THIS DRAWING IS A CONTROLLED DOCUMENT.		DWN	C.C.THOMAS	8-17-04	TE Connectivity
DIMENSIONS: INCHES		CHK	D.MILLER	8-17-04	
TOLERANCES UNLESS OTHERWISE SPECIFIED:		APVD	D.MILLER	8-17-04	
0 PLC ± - 1 PLC ± - 2 PLC ± - 3 PLC ± .005 [0.13] 4 PLC ± - ANGLES ± -		PRODUCT SPEC	NAME		
MATERIAL: SEE CALLOUTS		FINISH: SEE CALLOUTS	WEIGHT: -		CONTACT ASSY, SOCKET, SIZE 20, AMPLIMITE
CUSTOMER DRAWING		SCALE	A2 00779	C=205090	RESTRICTED TO
		SCALE	20:1	SHEET	1 OF 1
		REV	S		