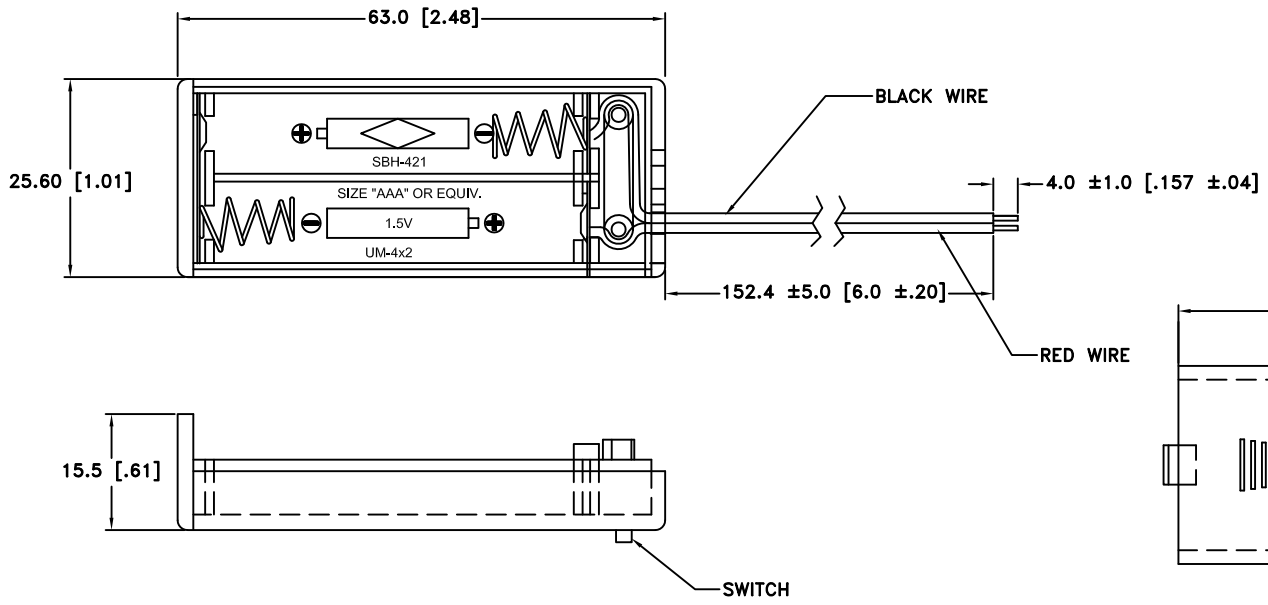
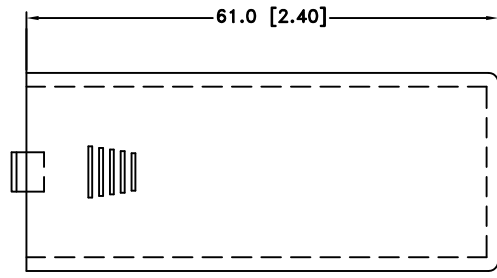


Date	SYM	REVISION RECORD	AUTH	DR.	CK.
04/15/11	A	Updated Title	T.B.	B.S.	




### BOTTOM-HOUSING



### TOP COVER

**NOTES:**

- ITEM NO. SBH-421AS
- MATERIAL:
  - HOUSING AND COVER: BLACK ABS
  - WIRE: UL1007, AWG #26, BLACK AND RED-152.4mm LONG, STRIPPED AND TINNED- 5mm LONG
  - SPRING: 0.5mm, 65C, SPRING WIRE

Tolerance (Except as noted)	 Memory Protection Devices, Inc 200 Broad Hollow Road, Farmingdale, New York 11735	Scale	Drawn By B.S.
			Approved By T.B.
decimal ±.5 (.020)	Title 2 CELL "AAA" HOLDER WITH COVER AND SWITCH		
Fractional ± .8 (.030)		Date 04/15/11	Drawing Number SBH-421AS
Angular ± 3°			