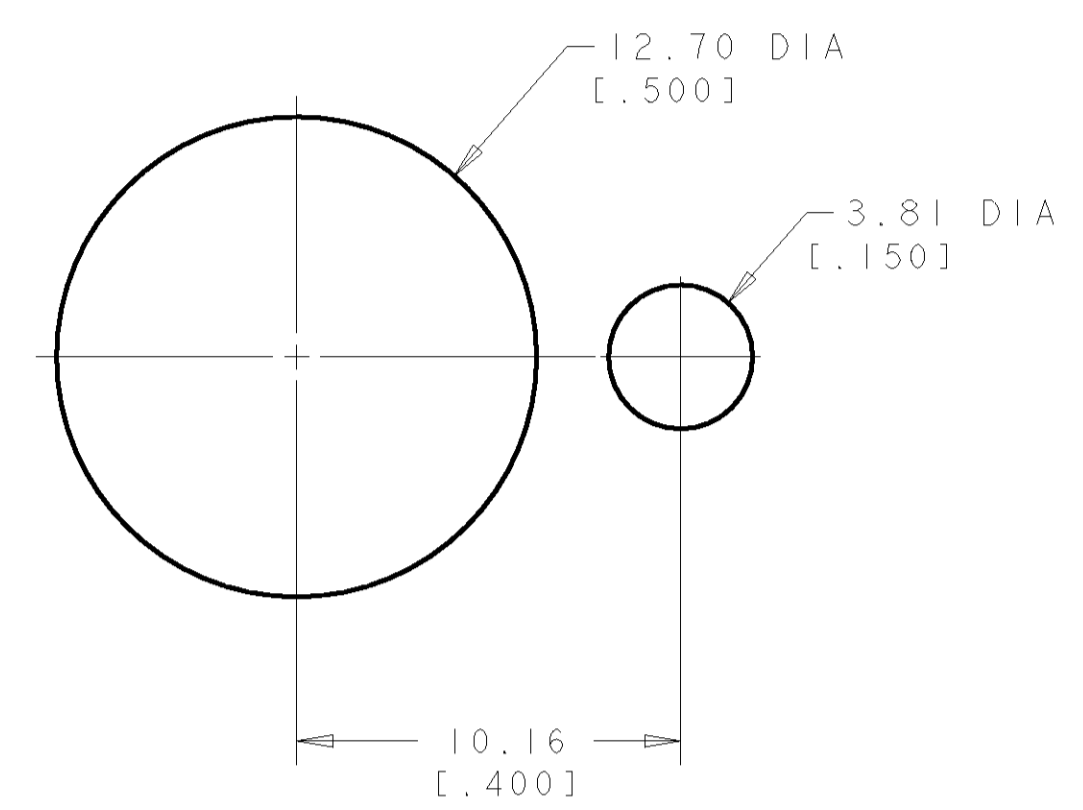
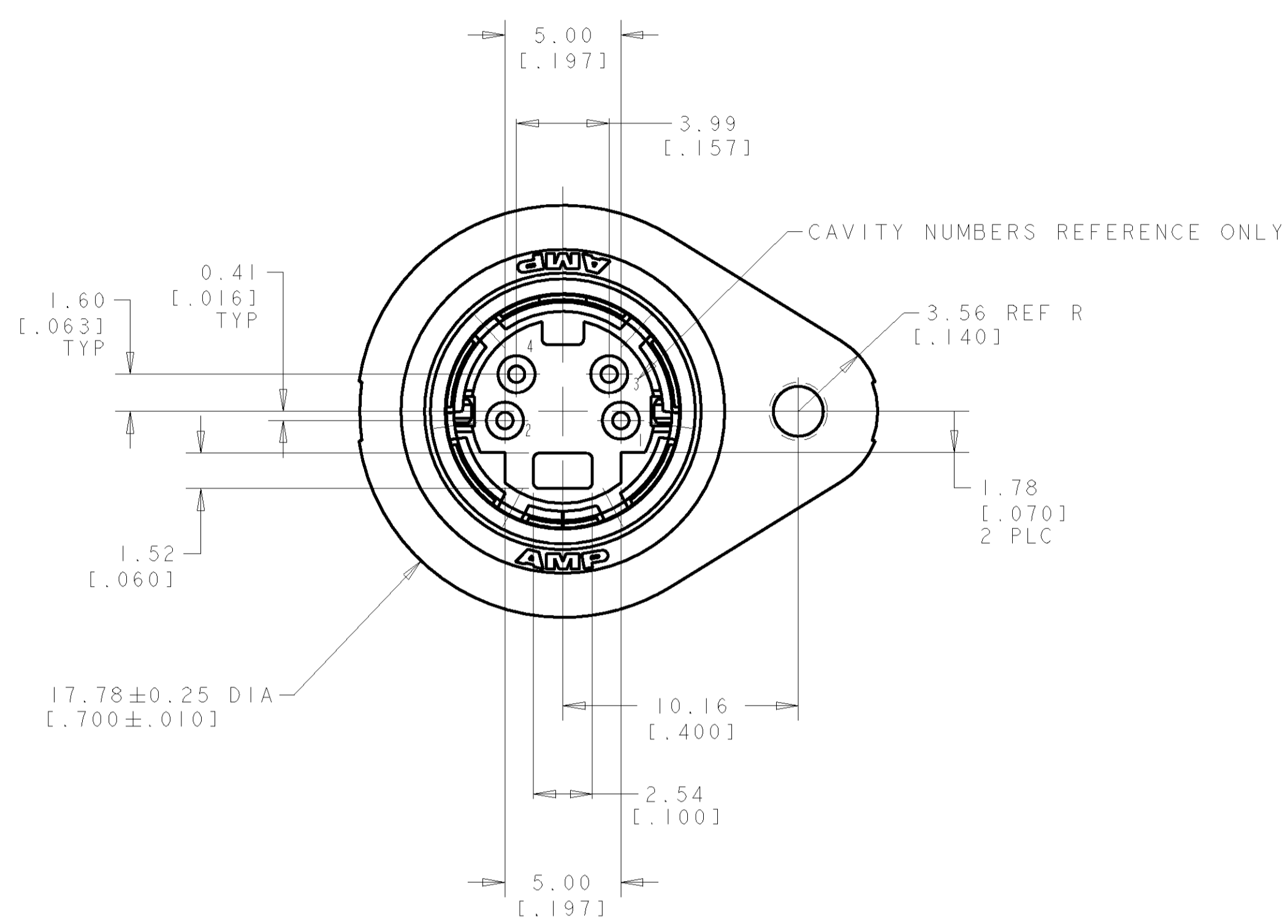
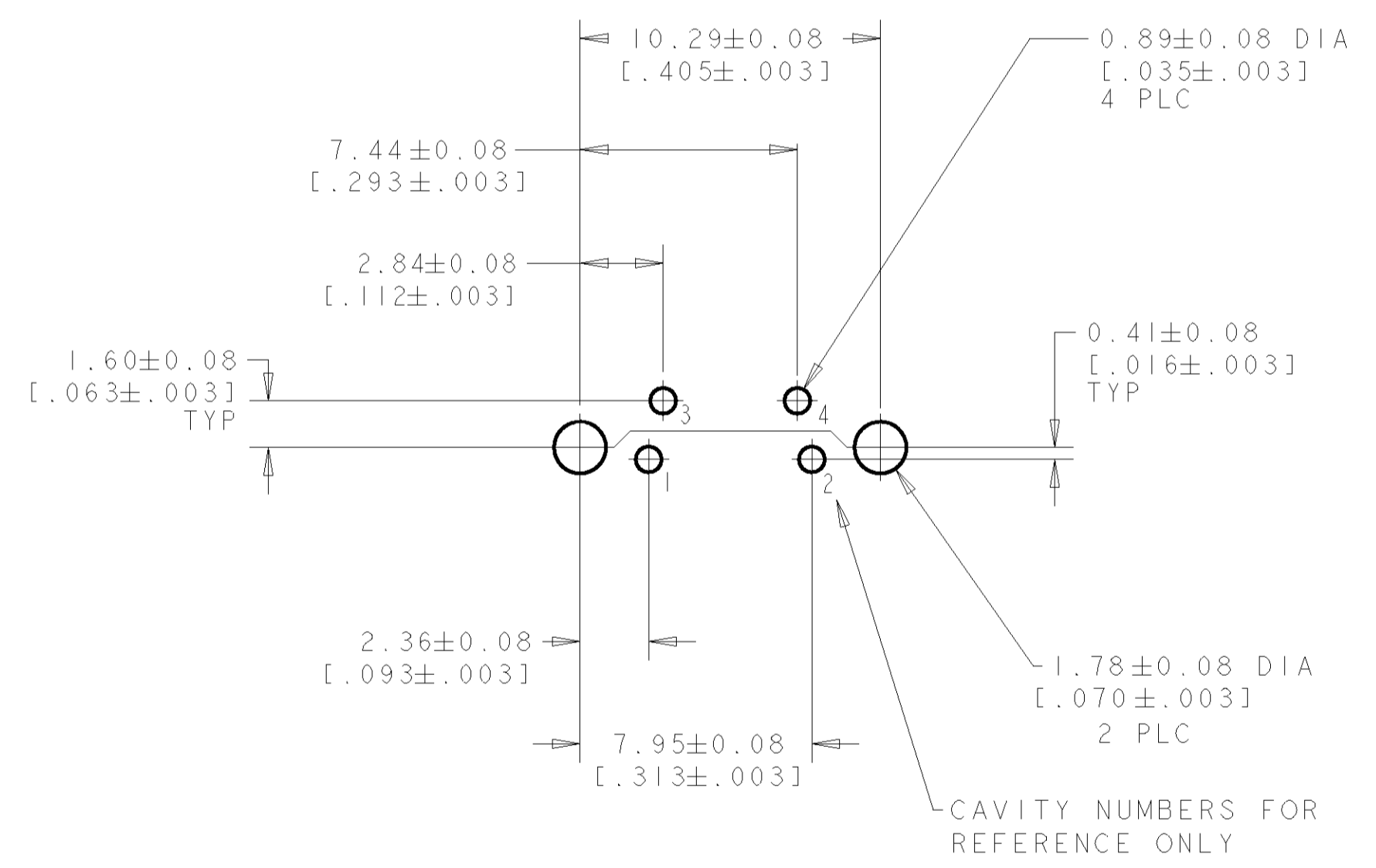
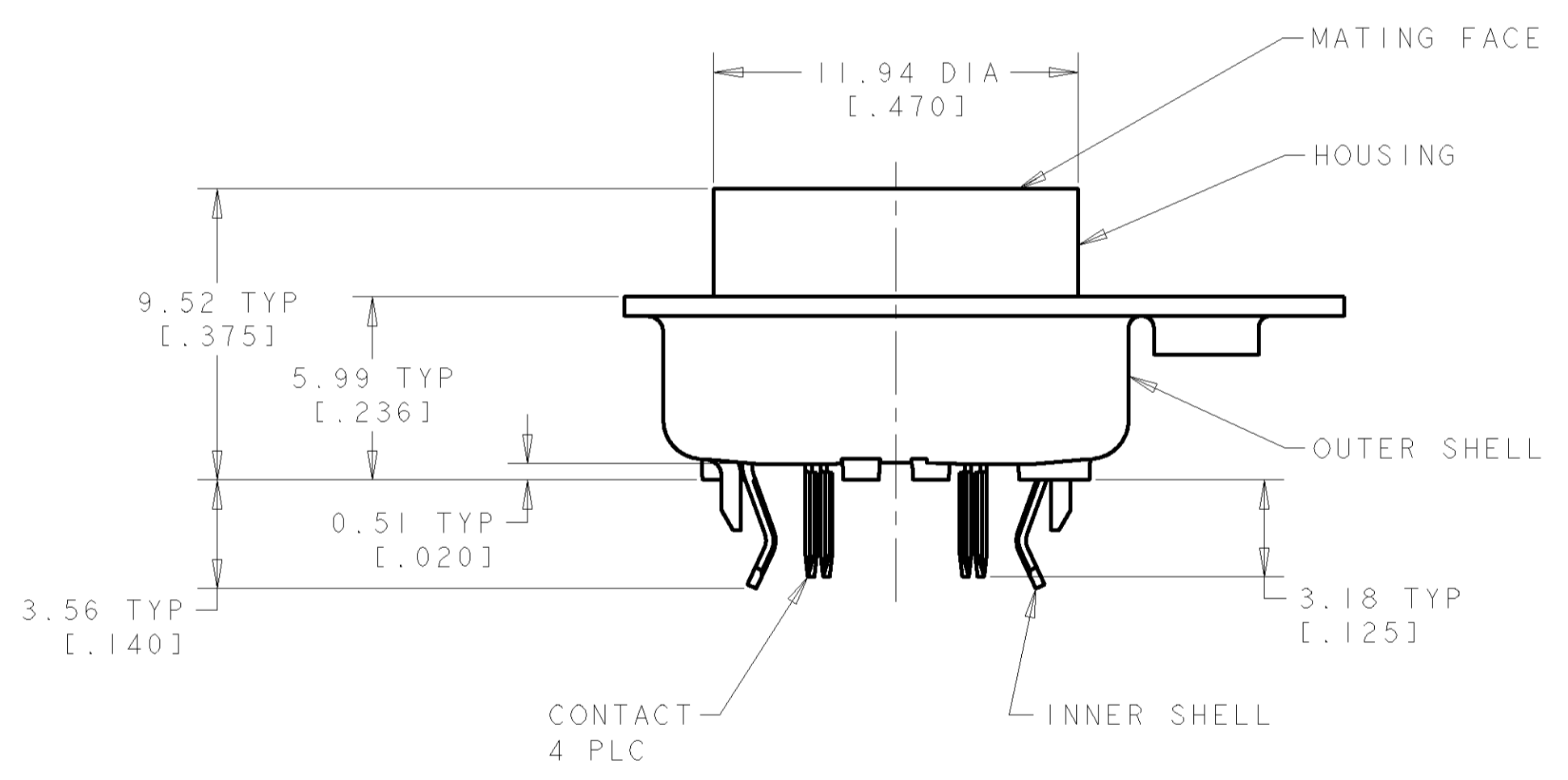


REVISONS		DATE	DNM	APRD
LOC	DIST	DESCRIPTION		
0		NPR FP00-0216-04	30AUG2004	LWY LSF

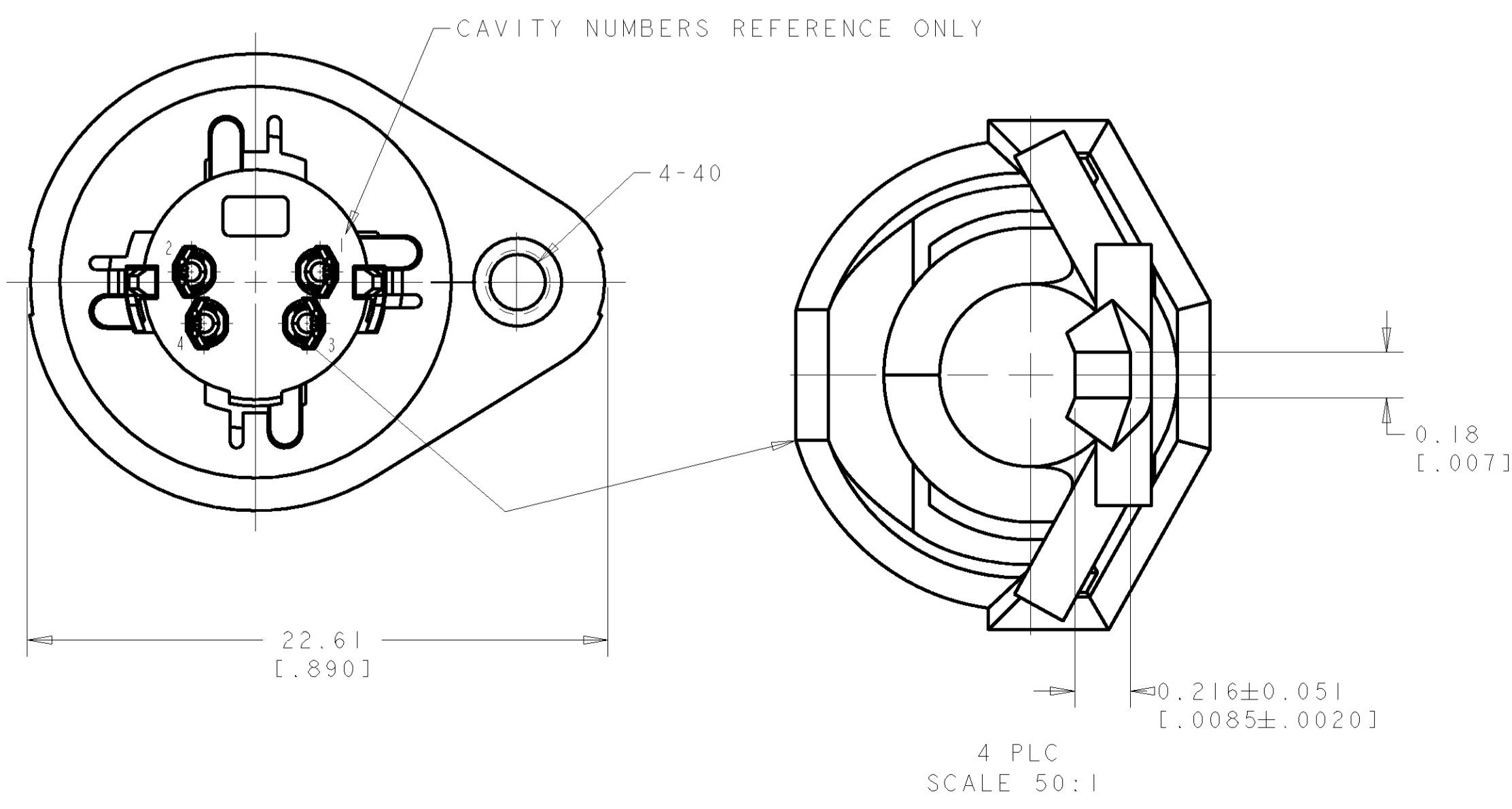


RECOMMENDED PANEL CUT-OUT

- 1 SHELLS: BRASS; CONTACTS: PHOSPHOR BRONZE; HOUSING: POLYESTER, UL 94V-0 RATED, BLACK.
- 2 0.76 μm [.000030] MIN GOLD ON MATING END FOR A LENGTH OF 1.37 [.054] MIN ON INSIDE, 2.54 μm [.000100] MIN TIN FOR A LENGTH OF 3.30 [.130] MIN FROM OPPOSITE END, ALL OVER 1.27 μm [.000050] MIN NICKEL.
- 3 0.38 μm [.000015] MIN GOLD ON MATING END FOR A LENGTH OF 1.37 [.054] MIN ON INSIDE, 2.54 μm [.000100] MIN TIN FOR A LENGTH OF 3.30 [.130] MIN FROM OPPOSITE END, ALL OVER 1.27 μm [.000050] MIN NICKEL.
- 4 RECEPTACLE ASSEMBLY MATES WITH 4 PIN, 8.99±0.10 [.354±.004] DIAMETER PLUG.



RECOMMENDED PC BOARD LAYOUT  
BOTTOM VIEW



CONTACT FINISH		5750319-2	
		PART NO	
		Tyco Electronics Singapore Pte. Ltd.	
DIMENSIONS: mm [INCHES] TOLERANCES UNLESS OTHERWISE SPECIFIED: 0 PLC ± 1 PLC ±0.13 [.005] 2 PLC ± 3 PLC ± 4 PLC ± ANGLES ±		DWN WYLEE 30AUG2004 CBY SF LEONG APD SF LEONG NAME RECEPTACLE ASSEMBLY, 4 POSN, LOW FLANGE, SHIELDED, VERTICAL, MINIATURE CIRCULAR DIN SIZE A11 CAGE CODE 00779 DRAWING NO C=5750319 SCALE 5:1 SHEET 1 OF 1 REV 0	
MATERIAL		WEIGHT	
FINISH		CUSTOMER DRAWING	