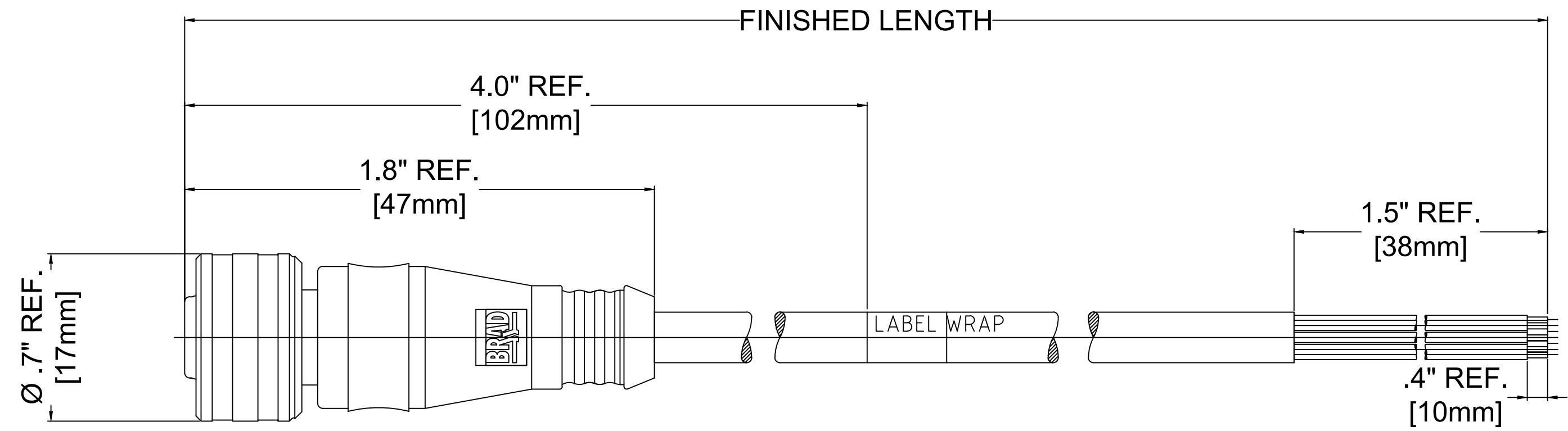
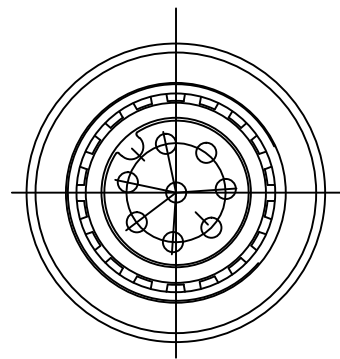


MATERIAL NUMBER	OLD PART NUMBER	FINISHED LENGTH
1200798023	W08000H08M020	2M +89mm -0 [6.6FT +3.5IN -0]



W08000H08M020

CABLE TYPE
8 x .25mm²
BLACK PUR

CABLE LENGTH
M020 --2 meters
M100 --10 meters

FEMALE FACE VIEW
8-POLE

WIRING DIAGRAM

- 1 WHITE
- 2 BROWN
- 3 GREEN
- 4 YELLOW
- 5 GREY
- 6 PINK
- 7 BLUE
- 8 RED

SPECIFICATION DATA

COMPONENT	MATERIAL	FINISH
LABEL	MYLAR	BLACK/YELLOW
COUPLER	BRASS	NICKEL PLATED
CONTACT	COPPER ALLOY	Au OVER Ni
O-RING	VITON	GREEN
INSERT	NYLON	BLACK
OVERMOLD	TPE	BLACK
CABLE #24/8	PUR	BLACK
VOLTAGE RATING:		30V
AMPERAGE RATING:		2A
PROTECTION CLASS:		IP67/68/69K
OPERATING TEMPERATURE:		-20°C / 80°C

RELEASE EC NO: IFC2014-0567 DRWN: GGUSTAFS 2013/09/05 CH'KD: TWOLDEGE APPR: BWOODMAN2013/11/12	QUALITY SYMBOL	GENERAL TOLERANCES (UNLESS SPECIFIED)		DIMENSION STYLE		SCALE	DESIGN UNITS	THIRD ANGLE PROJECTION	
	▼=0	mm	INCH	IN/MM		NTS	INCH		
	▽=0	4 PLACES ±---	±---	DRAWN BY	DATE	TITLE			
		3 PLACES ±---	±.005	LSTEMMLE	2010/02/10	MICRO-CHANGE ULTRA LOCK 8-POLE FEMALE STRAIGHT 8 X .25MM2 BLACK PUR			
	2 PLACES ±0.13	±.01	CHECKED BY	DATE	MOLEX INCORPORATED				
	1 PLACE ±0.25	±.020	TWOLDEGE	2013/09/12	SD-120079-066				
	ANGULAR ±.5°		APPROVED BY	DATE	SHEET NO.				
	DRAFT WHERE APPLICABLE MUST REMAIN WITHIN DIMENSIONS		BWOODMAN	2013/11/12	1 OF 1				
A	REV	MATERIAL NO.		SEE CHART		DOCUMENT NO.		THIS DRAWING CONTAINS INFORMATION THAT IS PROPRIETARY TO MOLEX INCORPORATED AND SHOULD NOT BE USED WITHOUT WRITTEN PERMISSION	