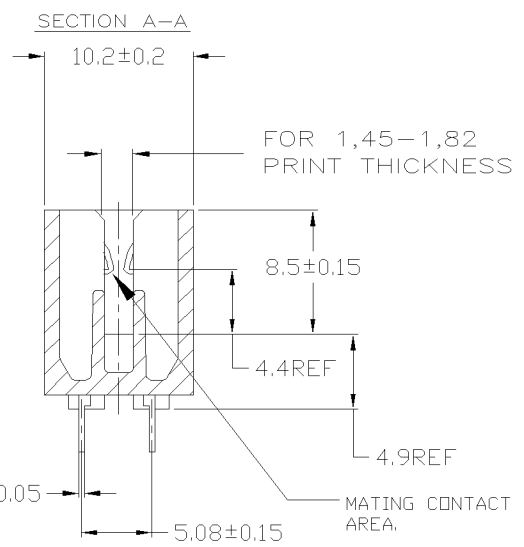


DO NOT SCALE
DIMENSIONS IN mm

METRIC

THIRD ANGLE PROJECTION

LTR.	REVISION RECORD	DR.	CHK.	DATE
K	ET00-0158-03	R.M	R.M	10-09-03
L	ET00-0178-03	P.B	D.C	22JAN2004
L1	ET00-0047-04	D.C.	C.T.	05MAR2004



NOTES:

1. PRODUCT SPECIFICATION: 108-19041
2. PACKAGING: ON PLASTIC TUBES, BOXED

43	166.32	174.52	177.82	185.72	191.82	4-166949-3
22	83.16	91.36	94.66	102.56	108.66	2-166949-2
POS.	DIM "A"	DIM "B"	DIM "C"	DIM "D"	DIM "E"	TYCO P/N

CONTACT: 0.8µm MIN SELECTIVE GOLD PLTD ON MATING CONTACT AREA & 3.0µm TIN PLTD ON CONTACT POST, OVER 1.25µm Ni PLTD UNDERLAYER		HOUSING: THERMOPLASTIC POLYESTER 20% GF, UL94-v0 COLOUR GREEN		CONT.: PH BRONZE H06		SEE TABLE	
FINISH		MATERIAL		PART NUMBER		166949-.....	
CUSTOMER DRAWING				tyco Electronics AMP Italia S.p.A. C.so F.lli Cervi, 15 - Collegno (TD)			
FOR REFERENCE ONLY WILL NOT BE UPDATED		THIS DRAWING IS UNPUBLISHED		RELEASED FOR PUBLICATION MAY 1987			
DR. L.V.D._HELDEN		DATE TDA		WIRE RANGE		NAME	
CHK. J.BROEKSTEG		DATE 12-05-87		INSUL. RANGE		AMP-EDGE CONN. ASS'Y 3.96 PITCH 22&43 POS. DUAL LOADED WITH B.T.B. CONTACTS	
APP. L.V.SOEST		DATE 13-05-87		SIZE A3		SHEET 1 OF 1	
				DRAWING NO		REV.LTR. L1	
				C-166949			