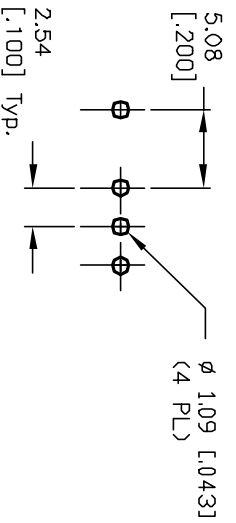


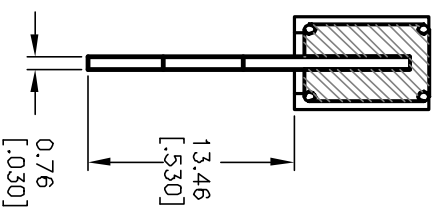
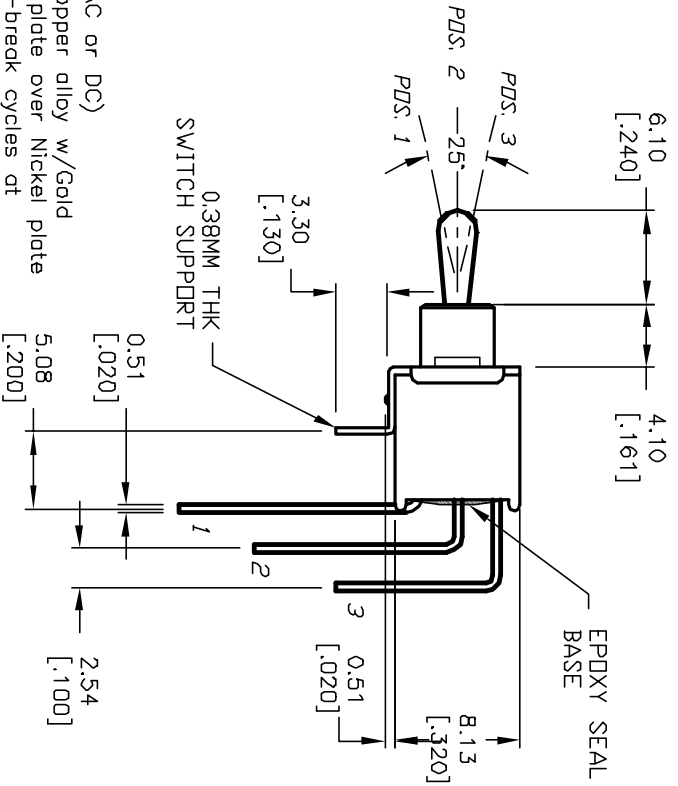
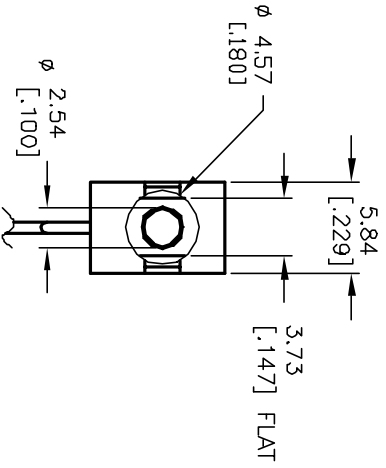
CIRCUIT: SPDT

CONTACT CONFIGURATION

SWITCH FUNCTION		
PDS. 1	PDS. 2	PDS. 3
DN	OFF	DN
2-3	OPEN	2-1



RECOMMENDED P.C.B. LAYOUT



NOTES:

1. ALL DIMENSIONS IN MM [INCH]
2. GENERAL TOLERANCE: X.X=±0.4 X.XX=±0.25
3. TERM. NOS. FOR REF. ONLY
4. RATING: 0.4(VA) max. @20V max. (AC or DC)
5. FIXED TERM. & MOVING CONTACT: Copper alloy w/Gold plate over Nickel plate
6. ELECTRICAL LIFE: 50,000 make-and-break cycles at full load.
7. INSULATION RESISTANCE: 1000M ohm min.
8. DIELECTRIC STRENGTH: 1000V RMS min. @seo level.
9. OPERATING TEMP.: -30°C to 85°C

**E-SWITCH®**

REV. A		12164		RELEASED FOR PRODUCTION		5/20/01		CJB		TITLE		2004 WSP-3 T2 A1 M7 R E	
ECN No.		DESCRIPTION		DATE		CHKD		SCALE		DATE		DR	
A		12164		RELEASED FOR PRODUCTION		5/20/01		CJB		TITLE		2004 WSP-3 T2 A1 M7 R E	
REV. A		12164		RELEASED FOR PRODUCTION		5/20/01		CJB		TITLE		2004 WSP-3 T2 A1 M7 R E	
ECN No.		DESCRIPTION		DATE		CHKD		SCALE		DATE		DR	
A		12164		RELEASED FOR PRODUCTION		5/20/01		CJB		TITLE		2004 WSP-3 T2 A1 M7 R E	
REV. A		12164		RELEASED FOR PRODUCTION		5/20/01		CJB		TITLE		2004 WSP-3 T2 A1 M7 R E	
ECN No.		DESCRIPTION		DATE		CHKD		SCALE		DATE		DR	
A		12164		RELEASED FOR PRODUCTION		5/20/01		CJB		TITLE		2004 WSP-3 T2 A1 M7 R E	
REV. A		12164		RELEASED FOR PRODUCTION		5/20/01		CJB		TITLE		2004 WSP-3 T2 A1 M7 R E	

THE INFORMATION CONTAINED IN THIS DOCUMENT IS PROPRIETARY TO E-SWITCH AND IS NOT TO BE COPIED OR TRANSMITTED