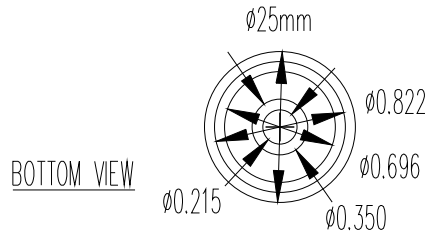
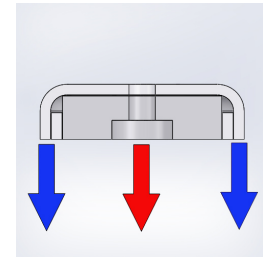
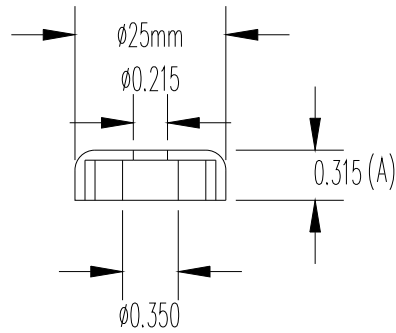
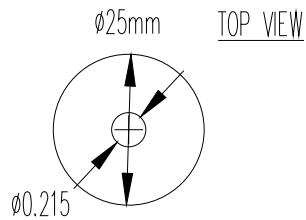


REVISIONS			
LTR	DESCRIPTION	DATE	APPROVED
—	INITIAL RELEASE		H D



UNLESS OTHERWISE SPECIFIED  
DIMENSIONS ARE IN INCHES

TOLERANCES:  
FRACTIONS:  $\pm 1/64$   
DECIMALS:  $\pm 0.015$   
ANGLES:  $\pm 1^\circ$

MATERIAL: NdFeB

FINISH: NiCuNi

## RADIAL MAGNETS INC.

108B NW 20th St. BOCA RATON, FL 33431 (561)392-2103

SHAPE	STRENGTH	PLATING	SIZE AND DIRECTION OF MAGNETIZATION (A)
POT	N35	NiCuNi	POT B25
SIZE	PART #	DRAWING #	REVISION
A	8223	RM8223	-
SCALE 1 : 1	DRAWN: CG	CHECKED: HD	APPROVED: HD
			PAGE 1 OF 1