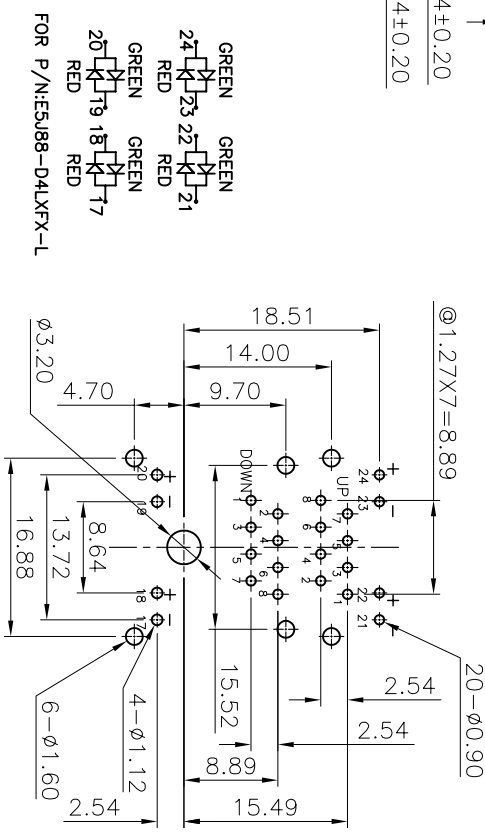
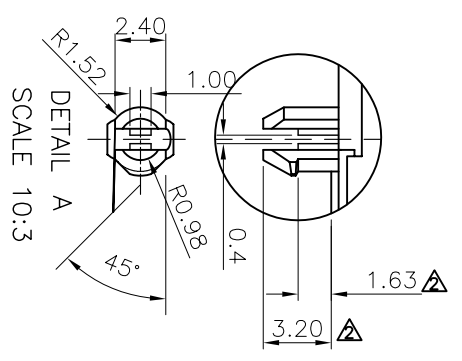
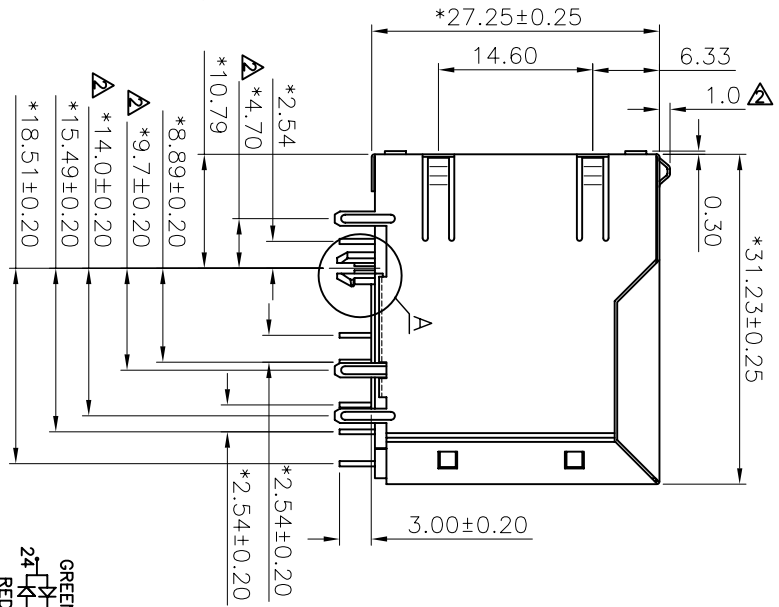
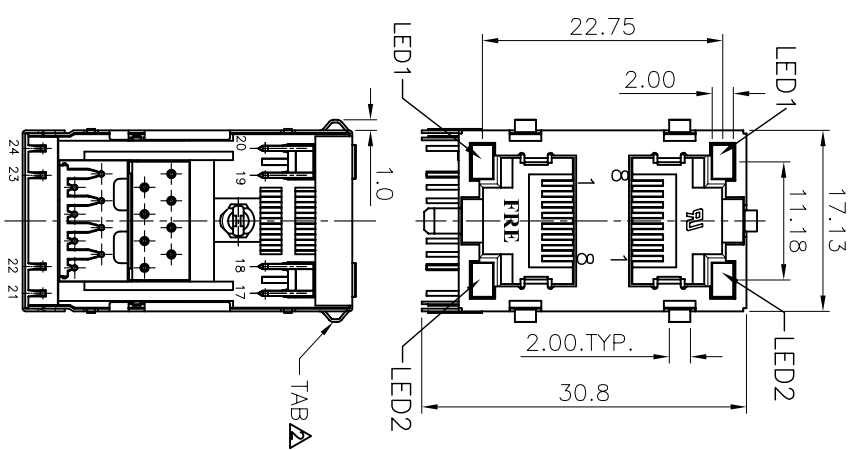


REVISION RECORD			
REV	ECO	DESCRIPTION	CHKD
△		ERASE P/N	YANGLIAN 7/07/05
△		MODIFY NOTE&DIMENSION	Rik 08/18/05



PC Board Layout t=1.6mm  
Component Side Shown

ROHS PART NUMBER: ESJ88-XXL3FX-L

- A-LED1:GREEN, LED2:GREEN
  - B-LED1:GREEN, LED2:ORANGE
  - C-LED1:GREEN, LED2:YELLOW
  - L-LED1:YELLOW, LED2:GREEN
  - D-LED1:G+R, LED2:G+R
  - F-LED1:ORANGE, LED2:GREEN
- GOLD OPTION:  
 1- 3u" 2- 6u" 3- 15u"  
 4- 30u" 5- 50u"  
 1- NO TAB  
 4- TOP TABS & SIDE TABS

RoHS Compliant/RoHS 6

- NOTES:**
- ELECTRICAL:**
- VOLTAGE RATING : 125 VAC RMS.
  - CURRENT RATING : 1.5 AMP.
  - CONTACT RESISTANCE : 50 MILLIOHMS MAX.
  - INSULATION RESISTANCE: 1000 MEGOHMS MIN @ 500 VDC.
  - DIELECTRIC STRENGTH : 1000 VAC RMS 60Hz, 1MIN.
- MECHANICAL:**
- HOUSING MATERIAL : NYLON+30%G.F. UL94V-0. △
  - CONTACT MATERIAL : PHOSPHOR BRONZE Ø0.46mm.
  - PLATING : 1: CONTACT AREA- SELECTIVE GOLD PLATING. △  
2: TAILS- 150u" TIN MIN OVER 50u" NICKEL. △
  - OPERATING LIFE : 750 CYCLES MIN.
  - PCB RETENTION PRE-SOLDER : 1 LB MIN.
  - PCB RETENTION POST-SOLDER: 10 LBS MIN.
  - LED COLOR : OPTION △
- ENVIRONMENTAL:**
- STORAGE : -40°C TO +85°C.
  - OPERATION: -40°C TO +85°C.
  - WAVE SOLDERING TEMPERATURE: 255~265°C(5~10 SECONDS) △
  - RoHS Compliant/RoHS 6
- MATES WITH MODULAR PLUG CONFORMING TO FCC PART 68, SUBPART F.

DETACHED LISTS		DATE		DATE		DATE	
MM	MM	CHKD	DATE	APPVL	DATE	DATE	DATE
0 ±0.20	±						
00 ±0.15	±						
000 ±0.075	±						
ANGLES ±		MATERIAL :		TITLE		RJA45(LED)	
THIRD ANGLE PROJECTION		QTY :		DRAWING NO. GE5J3021-LA		STACKED GANGED JACK, 2X1	
SCALE : 5:3		FINISH :		/PART NO. SEE NOTE		SIZE REV	
						A3 2	
						REV 2	
						08/15/05	
						SHEET 1 OF 1	

FULL RISE ELECTRONIC CO., LTD