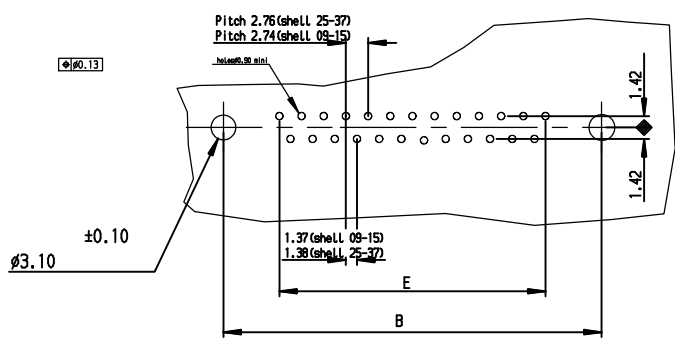


PC card drilling dimensions(after plating)
(thickness 2.40±0.20mm)



Lead-free part-number

SHELL	A±	0.38	B±	0.12	C±	0.10	D±	0.25	E±	0.07	PART NUMBER
09	30.81		24.99		16.96		16.79		10.96		D09P24B.PA00LF
15	39.14		33.32		25.18		25.12		19.18		D15P24B.PA00LF
25	53.03		47.04		39.12		38.84		33.12		D25P24B.PA00LF
37	69.32		63.50		55.68		55.30		49.68		D37P24B.PA00LF

Standard part-number

SHELL	A±	0.38	B±	0.12	C±	0.10	D±	0.25	E±	0.07	PART NUMBER
09	30.81		24.99		16.96		16.79		10.96		D09P24B.PA00
15	39.14		33.32		25.18		25.12		19.18		D15P24B.PA00
25	53.03		47.04		39.12		38.84		33.12		D25P24B.PA00
37	69.32		63.50		55.68		55.30		49.68		D37P24B.PA00

Protection: 4 --> Flash AU
6 --> 0.76µ AU

GENERAL CHARACTERISTICS AND ROHS INFORMATIONS:
SEE DRAWING C01-8646-0000

European Views

www.fciconnect.com		surface ISO 1302 ✓	tolerance std ISO 406 ISO 1101	projection mm
		TOLERANCES UNLESS OTHERWISE SPECIFIED		size A3
Dr	LELEON	1992/09/14	ANGULAR	Scale 2
Eng	PESSON	1992/09/14	LINEAR	ECN LS06-0097
Chr	LEGARE	1992/09/14	0.xx* ±2*	Spec ref -
Appr	LEGARE	1992/09/14	0.xxx ±0.1	
		Product family D-SUB		
FCj		title MALE CRS DELTA D STD EUROPE STRAIGHT SOLDER TYPE FOR PCB 2.4mm		Rev. F
		catalog no -		C01-8646-0102 CUSTOMER sheet 1 of 1

rev	ecn no	dr	date
C	-	PJA	2004/10/21
D	LS05-001	MPE	2005/03/12
E	LS05-0056	MPE	2005/07/01
F	LS06-0097	LGO	2006/07/29
-	-	-	-
-	-	-	-
-	-	-	-

Copyright FCI. FCI